

Chapter IV

Information Consultation System : Webapplication Export

**Description of the webapplication
permitting the download of the Authentic Source of
Medicines.**

List of abbreviations

| | |
|-------|---|
| BCFI | Belgisch Centrum voor Farmacotherapeutische Informatie |
| CBIP | Centre Belge d'Information Pharmacothérapeutique |
| BCPI | Belgian Centre for Pharmacotherapeutic Information |
| FAGG | Federaal Agentschap voor Geneesmiddelen en Gezondheidsproducten |
| AFMPS | Agence Fédérale des Médicaments et des Produits de Santé |
| FAMHP | Federal Agency for Medicines and Health Products |
| RIZIV | Rijksinstituut voor Ziekte- en InvaliditeitsVerzekering |
| INAMI | Institut National d'Assurance Maladie et Invalidité |
| NIHDI | National Institute for Health and Disability Insurance |

Table of contents

| | |
|--|----------|
| 1. CIVICS : introduction..... | 4 |
| 1.1 <i>The Authentic Source of Medicines</i> | 4 |
| 1.2 <i>Goal</i> | 4 |
| 1.3 <i>Contact / support</i> | 4 |
| 2. Web application: description batch export..... | 5 |
| 2.1 <i>Retrieve version number</i> | 5 |
| 2.1.1. <i>Version of the current database</i> | 5 |
| 2.1.2. <i>Version for a specific date</i> | 5 |
| 2.2 <i>Retrieve a version of the database</i> | 6 |
| 2.3 <i>Retrieve the deltas</i> | 9 |
| 2.4 <i>Error</i> | 10 |

1. CIVICS : introduction

1.1 The Authentic Source of Medicines

Chapter IV describes the conditions for reimbursement of specialties which are refundable through a medical advisor's agreement. In order to obtain reimbursement of these specialties, specific criteria have to be met and filled in on application forms.

The application of chapter IV, for which prescriber and insurance institution communicate on paper at present, will be done electronically in the future, which will imply acceleration as well as simplification of both application and approval processes for the reimbursement of specialties.

For this purpose a centrally managed database with the regulations on this subject has been provided. These regulations are being simplified if possible. The legislation text has been structured in view of this purpose.

The database Reimbursement Conditions is part of the database SAM (Authentic Source Medicines) which is managed by a consortium representing the actors FAMHP (FAGG-AFMPS), BCPI (BCFI-CBIP) and NIHDI (RIZIV-INAMI), each responsible for the data for which they are considered to be the authentic source. SAM contains all information concerning medicines.

The integrated DB SAM + Reimbursement Conditions can be consulted:

- by physicians, in situations where refundable medication is prescribed and an agreement for reimbursement is applied for.
- by medical advisors at the insurance institutions in order to treat the electronic agreement requests.

The tools and interfaces framing these agreement applications will be developed by the physician software suppliers (ambulant) and by hospitals developing their own software.

1.2 Goal

The project CIVICS (Chapter IV Information Consultation System) aims the exploitation of the data on medicines and the reimbursement conditions chapter IV in the authentic source.

The database can be obtained/consulted through 2 different channels :

- a channel « batch export » by means of which an export of the database is available to the software editors and the insurance institutions on the eHealth portal. At any time a full export containing history as well as all deltas is available.
- a channel « web services » which allows online punctual interrogation of the DB on specific data.

1.3 Contact / support

If you have questions or problems with regard to the application, or if you want to report irregularities concerning the retrieved data, please contact:

sam-support@smals.be

2. Web application: description batch export

The webapplication "export" on the eHealth Portal provides 4 services :

- retrieve the version number of the current database
- retrieve the version number of the database given a certain date
- retrieve the full version of the database for a given version
- retrieve the modifications ('delta's) applied between 2 database versions

Following URL gives access to these 4 services in the test environment:

<https://wwwacc.ehealth.fgov.be/websamcivics/samcivics/home/home.html>

Under the tab DOWNLOAD you can either choose FULL or DELTA, both of which display a file list containing either the full file or the delta files.

The tab VERSION NUMBER allows the retrieval of the LAST VERSION and of the version number for a specified date (FIND A VERSION).

2.1 Retrieve version number

2.1.1. Version of the current database

This service retrieves the current version number of the actual database, thus allowing the user to compare the current version with the one he owns. If you choose LAST VERSION under the VERSION NUMBER tab, the current version is displayed immediately:



FIGURE 1: layout returned information

2.1.2. Version for a specific date

This service retrieves the version number which corresponds to an introduced date, i.e. the version number accompanying the data with a start date smaller than or equal to the introduced date, and an optional end date greater than or equal to the introduced date.

If you choose FIND A VERSION under the tab VERSION NUMBER and introduce a date, the corresponding version number will be returned as a result.



FIGURE 2: layout returned version number

2.2 Retrieve a version of the database

This service retrieves all information of a specific version of the database.

If you choose FULL under the DOWNLOAD tab, a list of files is displayed containing full versions of the database.

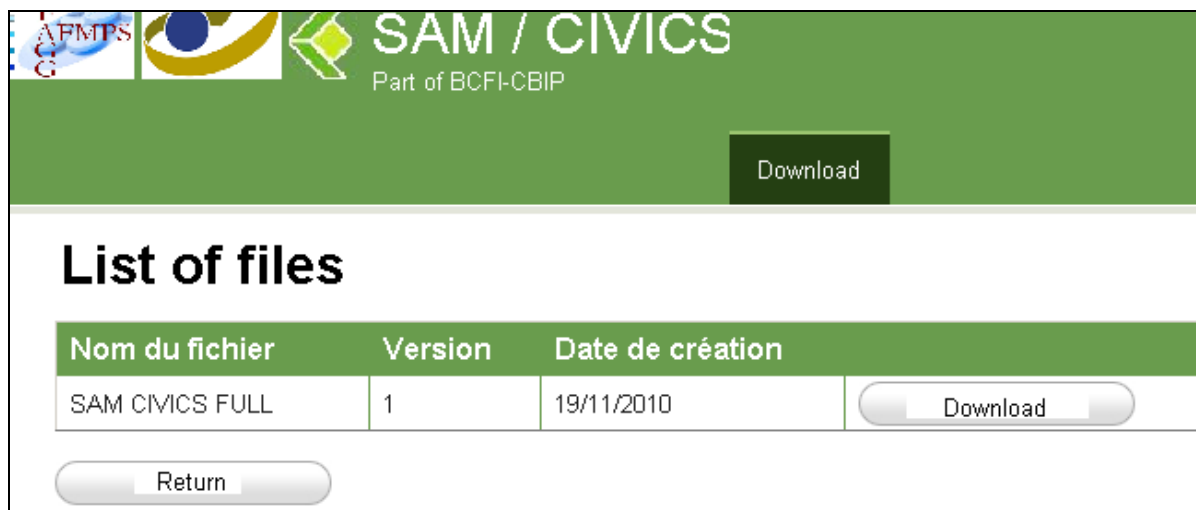
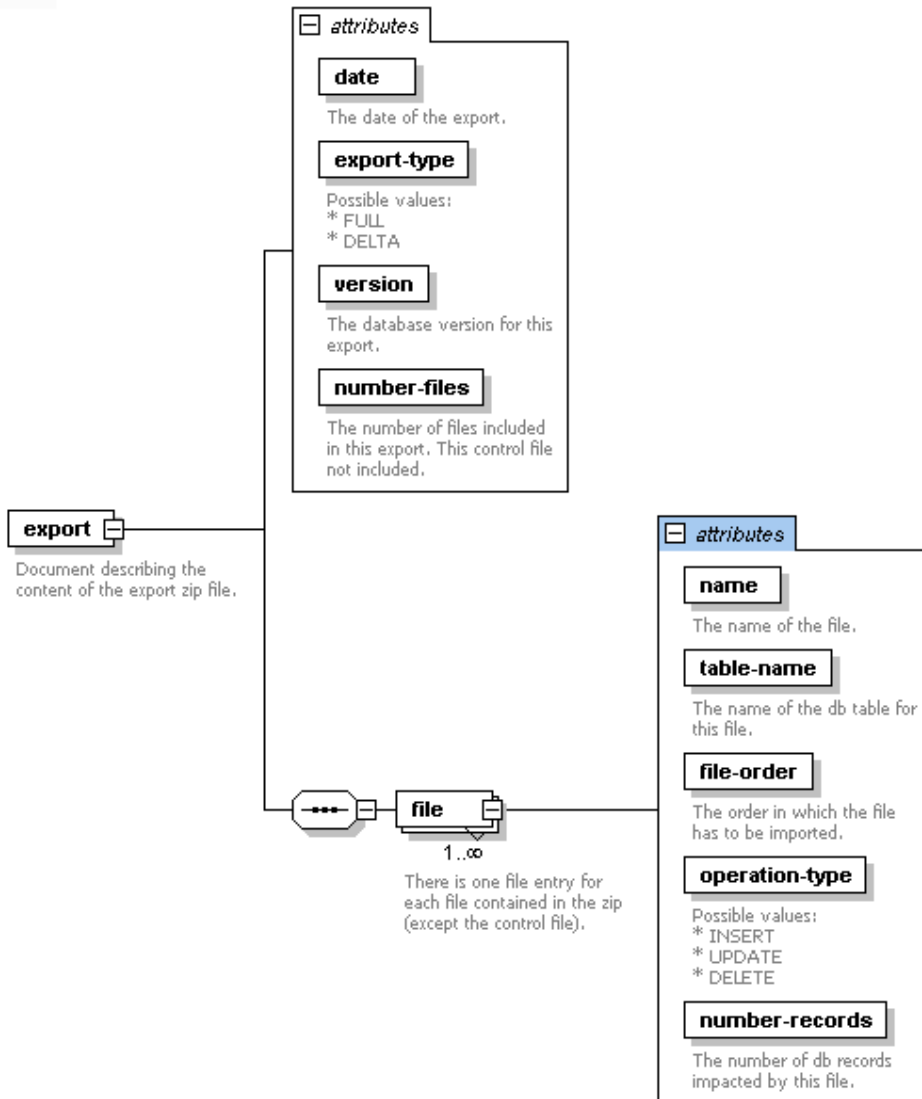


FIGURE 3: layout full download files

Clicking 'download' will result in a complete download of the file SAM_CIVICS_FULL#1234.zip

This zip file consists of:

- a **control file** describing the content of the zip file, defined by following xsd format:



- and an **XML file for each table** of the database. The name of the XML file is composed of the tablename and the requested version number (e.g. ACTUAL_INGREDIENT_STRENGTH#1234.xml). Each file contains all data from the table after which it is named for the requested version.

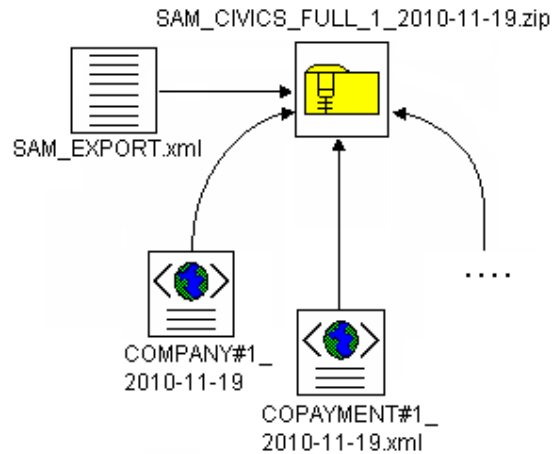


FIGURE 4: zip file consists of 1 xml file per table

The format of the XML files is defined by the following XML scheme (XSD):

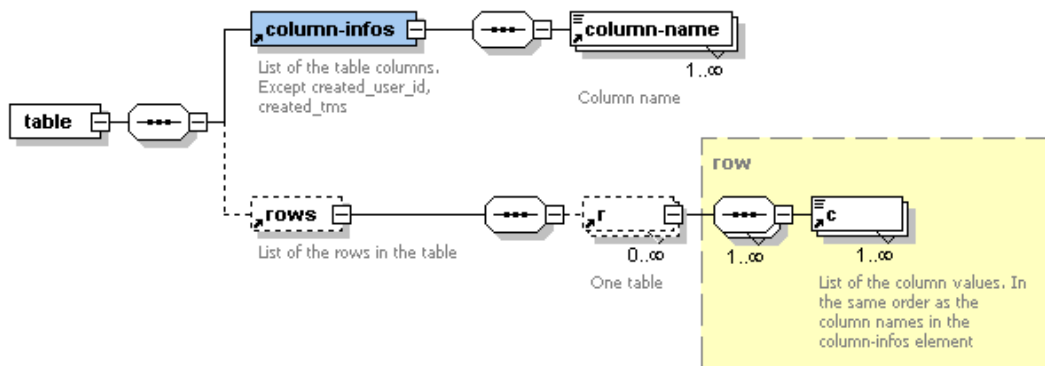


FIGURE 5: xsd scheme of the xml files

Every table is represented by a tag `<table />` which name is specified by the attribute `name`. The columns' names are specified in a tag `<column-infos />`. Every tag `<column-name />` contains the name of a column.

The rows are specified within the tags `<rows />` where every row is described by a tag `<r />`. The value of each column is resumed within the tags `<c />` (the sequence order of these columns `<c />` is similar to the order in which the `<column-name />` are listed)

Example¹ :

```
<table name="ACTUAL_INGREDIENT_STRENGTH">
  <column-infos>
    <column-name>CAS_NR</column-name>
    <column-name>AMP_ID</column-name>
    <column-name>START_DATE</column-name>
    <column-name>END_DATE</column-name>
    <column-name>NAME_ID</column-name>
    <column-name>EXC_IND</column-name>
    <column-name>VIRTUAL_INGREDIENT_CAS_NR</column-name>
    <column-name>STRENGTH_NOM_VALUE</column-name>
    <column-name>STRENGTH_NOM_RNG_VALUE</column-name>
    <column-name>STRENGTH_NOM_UNIT</column-name>
    <column-name>STRENGTH_DENOM_VALUE</column-name>
    <column-name>STRENGTH_DENOM_UNIT</column-name>
  </column-infos>
  <rows>
    <r>
      <c>1</c> <c>1</c> <c>31-03-2010</c> <c>31-03-2011</c> <c>1</c> <c>1</c> <c>1</c>
      <c>5</c> <c>12</c> <c>mg</c> <c>10</c> <c>ml</c>
    </r>
  </rows>
</table>
```

2.3 Retrieve the deltas

The changes applied in between 2 successive versions of the database can be obtained by choosing DELTA under the tab DOWNLOAD. A similar list of files as for the full download will be presented, allowing the download of the file SAM_CIVICS_DELTAS_1234.zip containing all the changes made between version 1233 and 1234. In other words: the delta 1234 contains all modifications which led from the previous version to the requested version.

The file's structure is identical to the one described in section 2.2, but in this case there is an XML file for each table, as well as for each type of modification. Every "INSERT", "UPDATE" and "DELETE" is separated in different files. The name of the XML file is composed of the tablename, requested version number and type of modification (e.g.

ACTUAL_INGREDIENT_STRENGTH#1234-INSERT.xml).

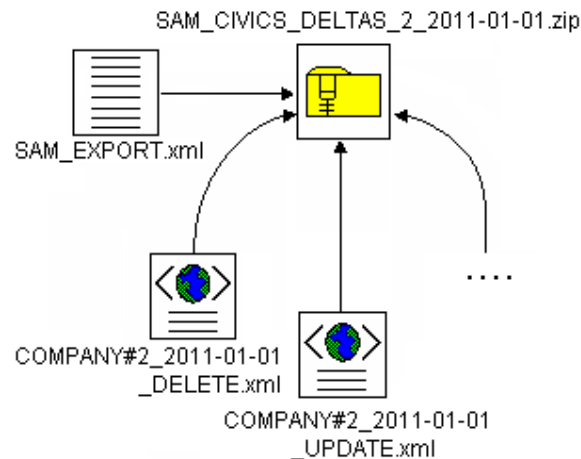


FIGURE 6: zip file consists of 1 xml file per table per type of modification

¹ to facilitate readability this file has been formatted.

Every single XML file in the archive will contain one or more tags `<r/>` if one or more changes were made between 2 database versions.
Every tag `<r/>` will be complete, i.e. all columns of the row are specified.

2.4 Error

In case of a problem or error, please contact:

`sam-support@smals.be`