

## **Chapter IV**

# **Information Consultation System : Webservices**

**Description of the webservices  
inquiring the Authentic Source of Medicines  
on the reimbursement of refundable specialties.**

**XSD version 1.3.0 - June 2013**

This document is provided to you free of charge by

**The eHealth platform**

Willebroekkaai 38  
1000 BRUSSELS

To the attention of: "IT expert" willing to integrate this web service.  
All are free to circulate this document with reference to the URL source.

## List of abbreviations

BCFI	Belgisch Centrum voor Farmacotherapeutische Informatie
CBIP	Centre Belge d'Information Pharmacothérapeutique
BCPI	Belgian Centre for Pharmacotherapeutic Information
FAGG	Federaal Agentschap voor Geneesmiddelen en Gezondheidsproducten
AFMPS	Agence Fédérale des Médicaments et des Produits de Santé
FAMHP	Federal Agency for Medicines and Health Products
RIZIV	Rijksinstituut voor Ziekte- en InvaliditeitsVerzekering
INAMI	Institut National d'Assurance Maladie et Invalidité
NIHDI	National Institute for Health and Disability Insurance

# Table of contents

<b>1. CIVICS : introduction.....</b>	<b>5</b>
1.1 <i>The Authentic Source of Medicines.....</i>	5
1.2 <i>Goal.....</i>	5
1.3 <i>Contact / support.....</i>	5
<b>2. Webservices Chapter IV : overview.....</b>	<b>6</b>
<b>3. Functional description of the webservices.....</b>	<b>8</b>
3.1 <i>Retrieve legislation paragraph text : 'FindParagraphText'.....</i>	8
3.1.1. Input data: FindParagraphTextRequest.....	8
3.1.2. Output data: FindParagraphTextResponse.....	9
3.1.3. Error messages.....	16
3.2 <i>Retrieve refundable specialties : 'GetParagraphIncludedSpecialties'.....</i>	18
3.2.1. Input data: GetParagraphIncludedSpecialtiesRequest.....	18
3.2.2. Output data: GetParagraphIncludedSpecialtiesResponse.....	19
3.2.3. Error messages.....	21
3.3 <i>Retrieve not simultaneously refundable specialties : 'GetParagraphExclusions'.....</i>	22
3.3.1. Input data: GetParagraphExclusionsRequest.....	22
3.3.2. Output data: GetParagraphExclusionsResponse.....	23
3.3.3. Error messages.....	25
3.4 <i>Retrieve qualification requirements : 'GetProfessionalAuthorizations'.....</i>	27
3.4.1. Input data: GetProfessionalAuthorizationsRequest.....	27
3.4.2. Output data: GetProfessionalAuthorizationsResponse.....	28
3.4.3. Error messages.....	30
3.5 <i>Look up which forms are attached to a paragraph : 'GetAddedDocuments'.....</i>	31
3.5.1. Input data: GetAddedDocumentsRequest.....	31
3.5.2. Output data: GetAddedDocumentsResponse.....	32
3.5.3. Error messages.....	33
3.6 <i>Retrieve reimbursement information on a paragraph or specialty : 'FindReimbursementConditions'.....</i>	34
3.6.1. Input data: FindReimbursementConditionsRequest.....	34
3.6.2. Output data: FindReimbursementConditionsResponse.....	35
3.6.3. Error messages.....	44
3.7 <i>Find medicinal product package information based on a product name: 'FindCNK'.....</i>	46
3.7.1. Input data: FindCNKRequest.....	46
3.7.2. Output data: FindCNKResponse.....	47
3.7.3. Error messages.....	49
3.8 <i>Find paragraph for a CNK: 'FindParagraph'.....</i>	50
3.8.1. Input data: FindParagraphRequest.....	50
3.8.2. Output data: FindParagraphResponse.....	50
3.8.3. Error messages.....	52

## Table of Figures

Figure 1 : webservices each aiming a different part of the reimbursement data .....	6
Figure 2: FindParagraphTextRequest - Input data.....	8
Figure 3 : FindParagraphTextResponse - Data from table 'PARAGRAPH' .....	10
Figure 4 : FindParagraphTextResponse - Data from VerseList .....	12
Figure 5 : FindParagraphTextResponse - Data from tables QUALIFICATION_LIST and PROFESSIONAL_CODE .....	<b>Error! Bookmark not defined.</b>
Figure 6 : FindParagrahTextResponse - Data from exclusionList .....	14
Figure 7 : GetParagraphIncludedSpecialtiesRequest – Input Data .....	18
Figure 8 : GetParagraphIncludedSpecialtiesResponse - Output data .....	19
Figure 9 : GetParagraphExclusionsRequest - Input data.....	22
Figure 10 : GetParagraphExclusionsResponse - Output cumulation restrictions .....	23
Figure 11 : GetParagraphExclusionsResponse - excludedParagraphList.....	23
Figure 12 : GetParagraphExclusionsResponse – unstructuredExclusionRuleList .....	24
Figure 13 : GetProfessionalAuthorizations - Input data.....	27
Figure 14 : GetProfessionalAuthorizationsResponse – Output data.....	28
Figure 15 : GetProfessionalAuthorizationResponse - professionalAuthorizationType .....	29
Figure 16 : GetAddedDocumentsRequest - Input data .....	31
Figure 17 : GetAddedDocumentsResponse - Output data.....	32
Figure 18 : FindReimbursementConditionsRequest - Input data .....	34
Figure 19 : FindReimbursementConditionsResponse - Output data .....	35
Figure 20 : FindReimbursementConditionsResponse - Output specialties related data .....	37
Figure 21 : FindCNKRequest - Input data .....	46
Figure 22 : FindCNKResponse - Output paragraph related data.....	47
Figure 23 : FindParagraphRequest - Input data.....	50
Figure 24 : FindParagraphResponse - Output data .....	50

# 1. CIVICS : introduction

## 1.1 The Authentic Source of Medicines

Chapter IV describes the conditions for reimbursement of specialties which are refundable through a medical advisor's agreement. In order to obtain reimbursement of these specialties, specific criteria have to be met and filled in on application forms.

The application of chapter IV, for which prescriber and insurance institution communicate on paper at present, will be done electronically in the future, which will imply acceleration as well as simplification of both application and approval processes for the reimbursement of specialties.

For this purpose a centrally managed database with the regulations on this subject has been provided. These regulations are being simplified if possible. The legislation text has been structured in view of this purpose.

The database Reimbursement Conditions is part of the database SAM (Authentic Source Medicines) which is managed by a consortium representing the actors FAMHP (FAGG-AFMPS), BCPI (BCFI-CBIP) and NIHDI (RIZIV-INAMI), each responsible for the data for which they are considered to be the authentic source. SAM contains all information concerning medicines.

The integrated DB SAM + Reimbursement Conditions can be consulted:

- by physicians, in situations where refundable medication is prescribed and an agreement for reimbursement is applied for.
- by medical advisors at the insurance institutions in order to treat the electronic agreement requests.

The tools and interfaces framing these agreement applications will be developed by the physician software suppliers (ambulant) and by hospitals developing their own software.

## 1.2 Goal

The project CIVICS (Chapter IV Information Consultation System) aims the exploitation of the data on the reimbursement conditions chapter IV in the authentic source.

The actors mentioned above must be able to consult the conditions described in the validated authentic source. This can be done in two ways:

- 'export DB' : download of full DB + history for local use, which can be fetched from the eHealth portal. It also contains the deltas (updates);
- 'on line' using webservices for punctual interrogation of the DB on specific data. These webservices are generic of intent in order to respond to the needs for consultation of various users. This type of consultation implies requests with limited results. It is impossible to collect the entire database as a whole through webservices.

## 1.3 Contact / support

If you have questions or problems with regard to the application, or if you want to report irregularities concerning the retrieved data, please contact:

- For production environment issues: [support@ehealth.fgov.be](mailto:support@ehealth.fgov.be)
- For acceptance environment issues: [integration-support@ehealth.fgov.be](mailto:integration-support@ehealth.fgov.be)

## 2. Webservices Chapter IV : overview

The reimbursement conditions of specialties admitted on advice of the medical advisor stated by Royal Decree of 21 December 2001, Chapter IV, form the basis of the reimbursement requests by the prescriber. These textual conditions are entirely integrated in the authentic source of medicines.

In addition, these texts are provided with :

- checkboxes which the prescriber can check to justify his reimbursement request,
- a unique identification of each line, allowing the medical advisor to reconstruct the prescriber's request.

Furthermore, specific recurring conditions are included in separate fields in order to obtain information from a paragraph without having to read it thoroughly. These conditions are e.g. age, sex, duration of the agreement, treatment dosage....

The information contained in the table below the textual conditions, i.e. the medicines and their reimbursement amounts depending on administration environment, reimbursement categories and social regime of the patient, is captured in separate tables of the database as well. This information can be obtained through the webservices, each one aiming different parts of the reimbursement data at a time (see Figure 1).

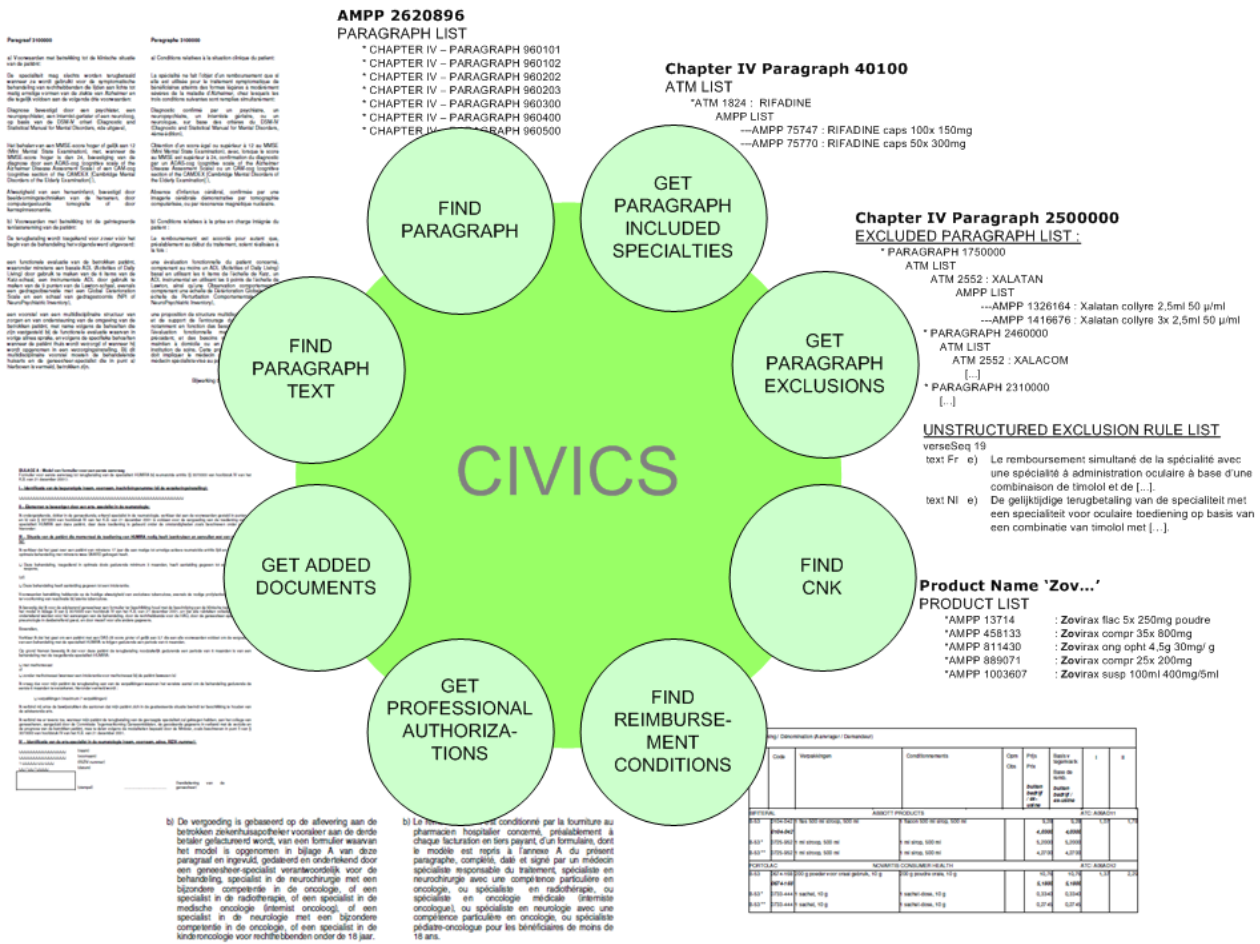


Figure 1 : webservices each aiming a different part of the reimbursement data

Independently of the reimbursement conditions, an additional functionality is provided, namely the retrieval of a medicine name and CNK number based on a partial name of a medicine. An eighth webservice retrieves the paragraph name for a given CNK.

**FindParagraphText** : fetches the textual part and related data – reimbursement stipulations or information on the paragraph as a whole - of the requested paragraph or of specific lines. See chapter 3.1.

**GetParagraphIncludedSpecialties** : returns a list of specialties treated in the requested paragraph. See chapter 3.2.

**GetParagraphExclusions** : returns a list of specialties (and related data) which are not simultaneously refundable with specialties in the requested paragraph. See chapter 3.3.

**GetProfessionalAuthorizations** : fetches the prescriber’s required qualifications based on the qualification list returned by the web service FindParagraphText. See chapter 3.4.

**GetAddedDocuments** : returns information on the forms attached to the paragraph or to specific lines. See chapter 3.5.

**FindReimbursementConditions** : fetches all information on prices and reimbursement amounts as represented by the grid in *figure 1*. This information can be obtained on all specialties in a specific paragraph or on a specific specialty appearing in various paragraphs. See chapter 3.6.

**FindCNK** : fetches the full names + CNK numbers of specialties that correspond to an introduced partial specialty’s name. See chapter 3.7.

**FindParagraph** : fetches the chapter and paragraph name for a given number CNK. See chapter 3.8.

All data can be obtained given a certain start date (or a version number in some cases).

+++++

**The acceptance webservice can be accessed on the eHealth-platform through following URL:**

<https://services-acpt.ehealth.fgov.be/ChapIVInformation/Consultation/v1>



**In order to use these webservices you need a certificate. A certificate can be applied for on [www.ehealth.fgov.be](http://www.ehealth.fgov.be). The certificate environment has to match the webservice environment.**

+++++

### 3. Functional description of the webservices

#### 3.1 Retrieve legislation paragraph text : 'FindParagraphText'

The webservice FindParagraphText allows the retrieval of reimbursement conditions in Chapter IV based on a paragraph number or one or more line numbers in case of:

- a prescription of a specialty for which a prior agreement needs to be obtained from the medical advisor at the insurance institution.
- an investigation by the medical advisor of a request to a reimbursement agreement, framing the request in its legal context.

This webservice returns the formal textual conditions from the legislation which are entirely registered in the database as well as the structured information inherent in these texts.

##### 3.1.1. Input data: FindParagraphTextRequest

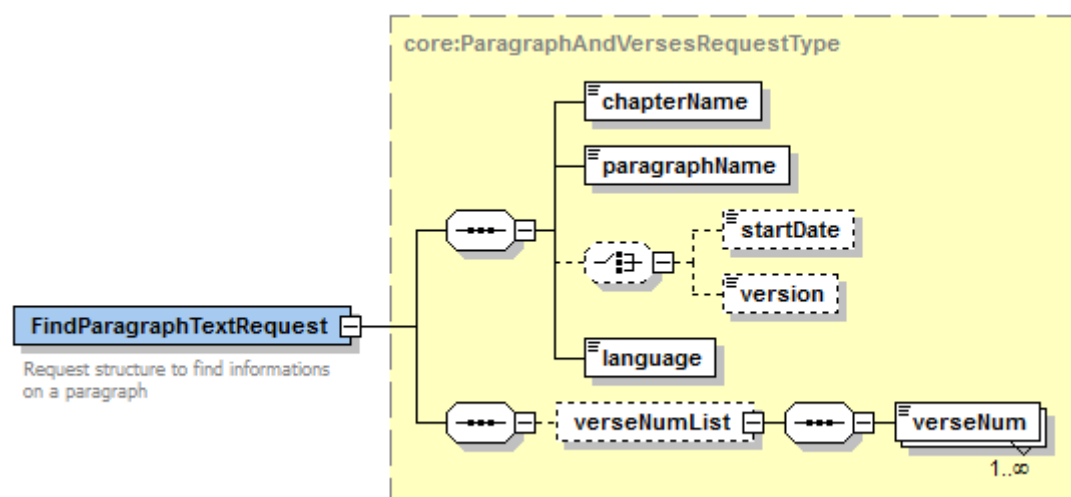


Figure 2: FindParagraphTextRequest - Input data

Field name	Description
<b>chapterName</b>	Mandatory - The name of the chapter involved in the reimbursement conditions of medicines as stated in the royal decree of 21 December 2001 and the royal decrees modifying this one. Example: 'IV'
<b>paragraphName</b>	Mandatory - The name of the paragraph or the subparagraph, which for the presumed chapters, is limited to an identification number, the last 4 numbers representing variations within the same subject. Examples: '30200'; '290000'
<b>startDate</b>	Optional - The date starting from which information should be retrieved. If a date is introduced, no version can be given. Format: YYYY-MM-DD Examples: '2012-12-01'; '2013-03-31'
<b>version</b>	Optional - The version number. If a version number is introduced, no input date can be given.



	Example: '1', '2',..
<b>language</b>	Mandatory - The language in which the returned information is expected. The legislation text itself however is always returned in both languages. Possible values : 'fr', 'FR', 'Fr', 'nl', 'NL', 'NI' (case sensitive)
<b>verseNumList</b>	Optional - One or more specific line numbers of a paragraph (VERSE_NUM) can be introduced. Example: '689', '2487',..

**Notices :**

- This webservice retrieves data related to one specific chapter + paragraph.
  - Chapter name and paragraph name have to be coherent, i.e. the paragraph name must exist for given chapter. Chapter will initially be 'IV' but will eventually extend to other chapters. If one or more VERSE\_NUM are introduced, only the lines ('verses') matching these identification numbers will be fetched. This option is devised to obtain the lines representing the choice(s) made by the prescriber to justify his agreement request, but any other verse can be retrieved by introducing the verse numbers.
  - The verse number is optional since not all paragraphs require that an explicit choice is made by the prescriber.
  - For each introduced verse number in the verseNumList part, related verse data will be returned as soon as it is a part of the requested paragraph. If no introduced verse number corresponds to data related to that paragraph, no verseList is returned.
  - if no verse number is given, the entire paragraph text will be returned and all related data.
  
- Input date and version are mutually exclusive: they should not be introduced both at the same time.
  - If neither a date nor a version is introduced, the most recent available data will be returned.
  - If an input date is introduced, information will be fetched which is/was valid for this date. The input date must be smaller than or equal to the current date. The retrieved data have a start date smaller than or equal to the introduced date, and an optional end date greater than or equal to the introduced date.
  - If a version number is introduced for a paragraph, data will be fetched for the requested version only.

**3.1.2. Output data: FindParagraphTextResponse**

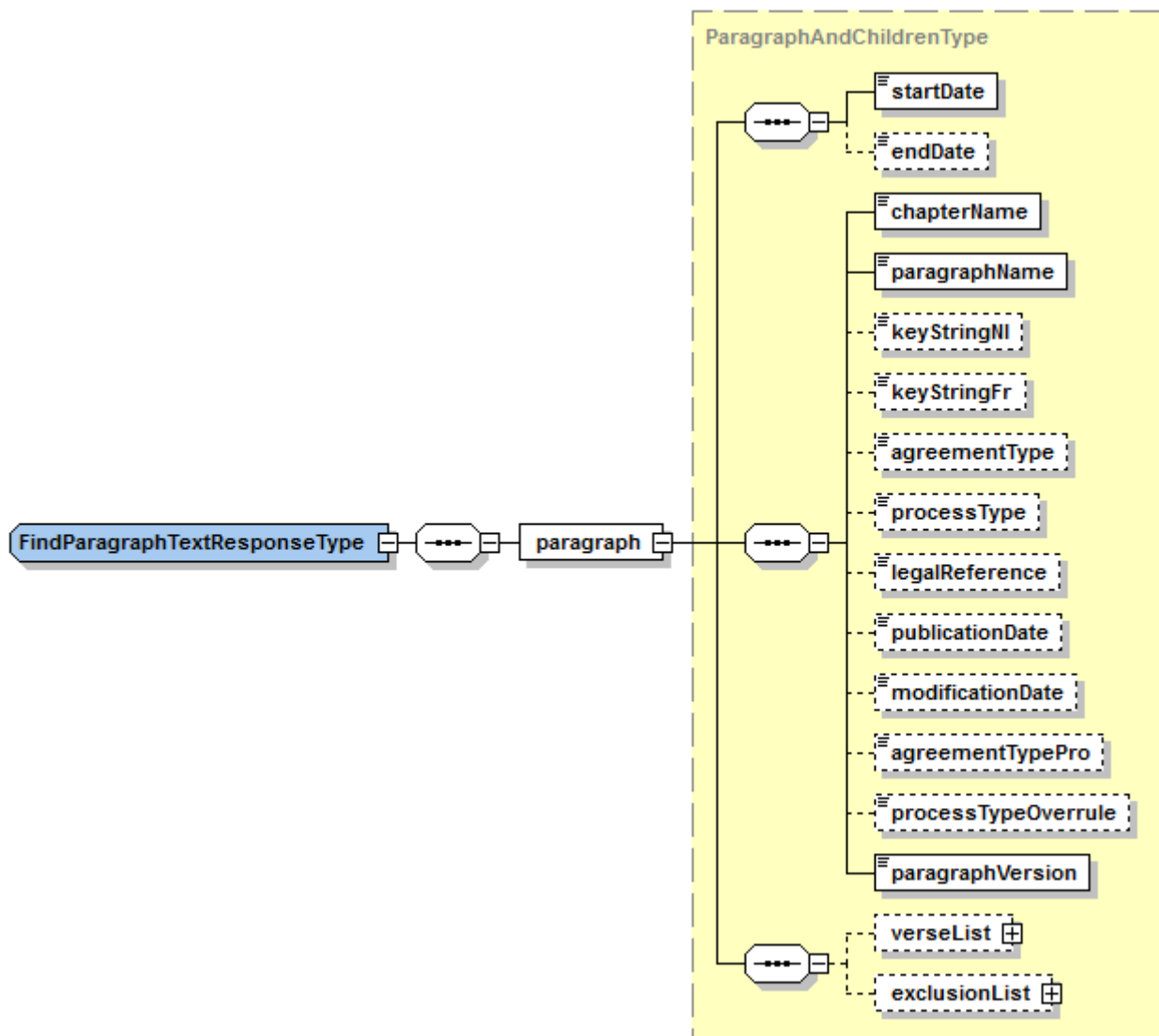


Figure 3 : FindParagraphTextResponse - Data from table 'PARAGRAPH'

Field name	Description
<b>startDate</b>	Mandatory - The date starting the validity period of the returned paragraph. Format: YYYY-MM-DD Examples: '2012-12-01'; '2013-05-01'
<b>endDate</b>	Optional - The date ending the validity period of the returned paragraph. This field doesn't appear in the response if the returned period corresponds to the current version. Format: YYYY-MM-DD Examples: '2012-12-31'; '2013-05-31'
<b>chapterName</b>	Mandatory - The name of the chapter involved in the reimbursement conditions of medicines as stated in the royal decree of 21 December 2001 and the royal decrees modifying this one. Example: 'IV'
<b>paragraphName</b>	Mandatory - The name of the paragraph or the subparagraph, which for the presumed chapters, is limited to an identification number, the last 4 numbers representing variations within the same subject. Examples: '30200'; '290000'

<b>keyStringNI</b>	Optional - String of characters covering the most representative key words in NL of the paragraph content.
<b>keyStringFr</b>	Optional - String of characters covering the most representative key words in FR of the paragraph content.
<b>agreementType</b>	Optional - Value identifying the authorization model and therefore also the documents delivered by the insurance organization to the patient.
<b>processType</b>	Optional - Information reserved to insurance organizations.
<b>legalReference</b>	Optional - References to the legal text that created this paragraph for the first time.
<b>publicationDate</b>	Optional - Date of the first publication of the paragraph in the reference specified by LEGAL_REFERENCE.
<b>modificationDate</b>	Optional - Date of the last update of the content of the returned paragraph.
<b>agreementTypePro</b>	Optional - Value identifying the authorization model in case of prolongation of an agreement.
<b>processTypeOverride</b>	Optional - Information reserved to insurance organizations.
<b>paragraphVersion</b>	Mandatory - The version number of the returned paragraph.
<b>verseList</b>	Optional - List of verses related to the returned paragraph. Complex type detailed below.
<b>exclusionList</b>	Optional - List of exclusions related to the returned paragraph. Complex type detailed below.

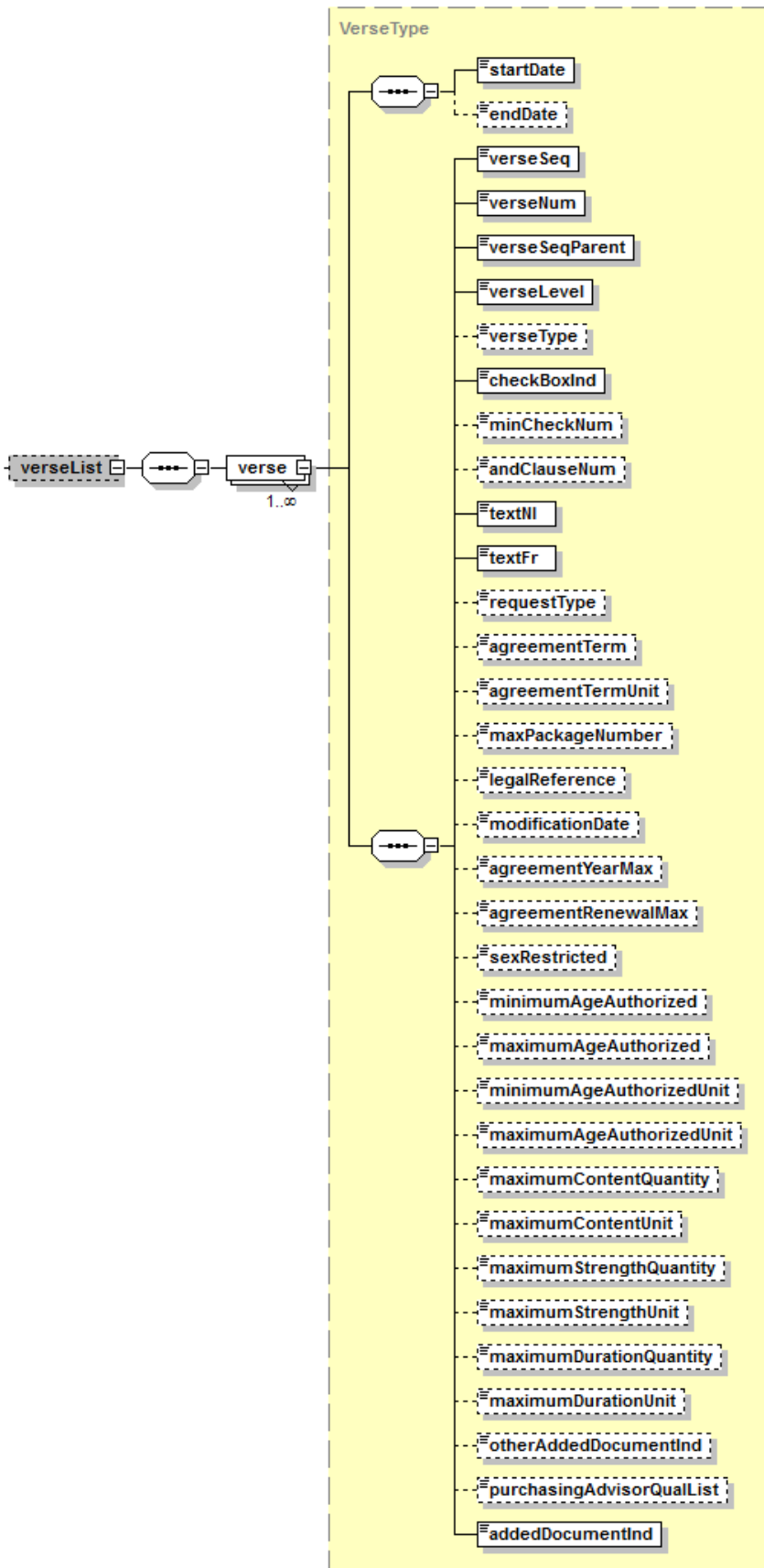


Figure 4 : FindParagraphTextResponse - Data from VerseList

Field name	Description
<b>startDate</b>	Mandatory - The date starting the validity period of the returned verse. Format: YYYY-MM-DD Examples: '2012-12-01'; '2013-05-01'
<b>endDate</b>	Optional - The date ending the validity period of the returned verse. This field doesn't appear in the response if the returned period corresponds to the current version. Format: YYYY-MM-DD Examples: '2012-12-31'; '2013-05-31'
<b>verseSeq</b>	Mandatory - Sequence number of the verse within the returned paragraph.
<b>verseNum</b>	Mandatory - Unique number assigned to a verse, among all the verses of the database.
<b>verseSeqParent</b>	Mandatory - Pointer towards the parent verse of the actual verse.
<b>verseLevel</b>	Mandatory - Position of the verse in the hierarchy of the returned paragraph, this number gives the level of the current verse compared to the other verses.
<b>verseType</b>	Optional - Type of the verses, according to the content of the verse the type will be diagnostic, condition, exclusion, notification, title, warnings, ...
<b>checkBoxInd</b>	Mandatory - Flag which indicates if the current verse represents a choice among several alternatives of the same level.
<b>minCheckNum</b>	Optional - Minimum amount of choices to be made within the verses one level higher (level + 1) - uninterrupted by a lower level - in order for the choice to be validated according to the legislation.
<b>andClauseNum</b>	Optional - Number of the group for which several branches are involved in order to realise a coherent choice.
<b>textNI</b>	Mandatory - French version of the part of the legislation text within the verse.
<b>textFr</b>	Mandatory - Dutch version of the part of the legislation text within the verse.
<b>requestType</b>	Optional - The reimbursement requests can be made for a first prescription of a medicine or for the prolongation of an already prescribed medicine for this patient.
<b>agreementTerm</b>	Optional - In accordance with the field AGREEMENT_TERM_UNIT, the number of units of periods during which the authorization of the reimbursement is valid.
<b>agreementTermUnit</b>	Optional - Unit in which the validity period of the reimbursement authorization is expressed.
<b>maxPackageNumber</b>	Optional - The maximum number of packages reimbursed during the period of reimbursement authorization.
<b>legalReference</b>	Optional - The references to the legal text for a verse are only justified if these are different from the ones of the paragraph.
<b>modificationDate</b>	Optional - The date of the modification of the verse will be set only if this one is different from the PUBLICATION_DATE of the related paragraph.
<b>agreementYearMax</b>	Optional - The maximum number of years during which the reimbursement authorization is valid.
<b>agreementRenewalMax</b>	Optional - The maximum number of renewals allowed for this agreement.
<b>sexRestricted</b>	Optional - Does there exist an inadequacy between the medicine and one of the two sexes ? Possible values : 'F', 'M'
<b>minimumAgeAuthorized</b>	Optional - If there is a restriction in relation to the minimum age of the patient for this medicine, this field gives the lower bound of the number.

<b>maximumAgeAuthorized</b>	Optional - If the medicine can only be reimbursed for a patient who has past a certain age, this field gives this upper bound.
<b>minimumAgeAuthorizedUnit</b>	Optional - Unit for the minimum age of the patient for this medicine.
<b>maximumAgeAuthorizedUnit</b>	Optional - Unit for the maximum age of the patient for this medicine.
<b>maximumContentQuantity</b>	Optional - Maximum number of medicinal product unities (tablets, ampoules, ...) or maximum volume of a solution that is reimbursed during a certain period.
<b>maximumContentUnit</b>	Optional - Unit for the maximum number of medicinal product unities (tablets, ampoules, ...) or maximum volume of a solution that is reimbursed during a certain period.
<b>maximumStrengthQuantity</b>	Optional - Strength of the unities (tablets, ampoules, ..) or strength of the solution in the maximum daily posology during a certain period.
<b>maximumStrengthUnit</b>	Optional - Unit of Strength of the unities (tablets, ampoules, ..) or strength of the solution in the maximum daily posology reimbursed during a certain period.
<b>maximumDurationQuantity</b>	Optional - Numerical value in the expression of the duration of reimbursement for a maximum daily posology.
<b>maximumDurationUnit</b>	Optional - Unit to express the duration of reimbursement for a maximum daily posology.
<b>otherAddedDocumentInd</b>	Optional - Indicates if complementary documents are required to take a decision concerning the reimbursement authorization.
<b>purchasingAdvisorQualList</b>	Optional - Code referring to the list of medical professions recognized by the NIHDI which can prescribe the medicines linked to the returned verse.
<b>addedDocumentInd</b>	Mandatory - This is not an existing field in the DB but merely an indication of the presence of a reference in table ADDED_DOCUMENT for requested verse numbers, meaning that these verses refer to a structured form.

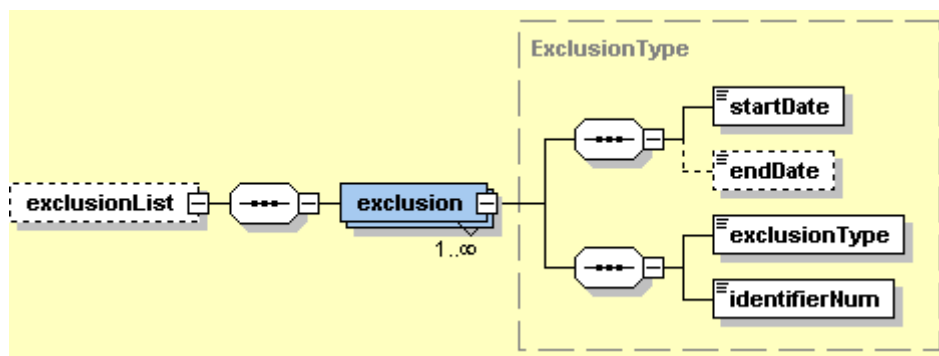


Figure 5 : FindParagrahTextResponse - Data from exclusionList

Field name	Description
<b>startDate</b>	Mandatory - The date starting the validity period of the exclusion related to the returned paragraph. Format: YYYY-MM-DD Examples: '2013-03-01'
<b>endDate</b>	Optional - The date ending the validity period of the returned exclusion related to the returned paragraph. This field doesn't appear in the response if the returned period corresponds to the current version. Format: YYYY-MM-DD

	Examples: '2012-04-30'
<b>exclusionType</b>	<p>Mandatory - It represents in what form the exclusion has been modeled and what represents the value given by the field <b>identifierNum</b> :</p> <ul style="list-style-type: none"> <li>- 'S' : IDENTIFIER_NUM = ATM_ID of the non-cumulative specialty.</li> <li>- 'I' : IDENTIFIER_NUM = PARAGRAPH_NAME of the requested paragraph, meaning that none of the specialties within this same paragraph can be reimbursed at the same time.</li> <li>- 'J' : IDENTIFIER_NUM = PARAGRAPH_NAME of a different paragraph, meaning that none of the specialties within this paragraph can be reimbursed together with specialties within requested paragraph.</li> <li>- 'C' : IDENTIFIER_NUM = REIMB_CRITERIA_CV (reimbursement criteria, e.g. B-273). Specialties within requested paragraph can not be reimbursed together with specialties among returned reimbursement criteria.</li> <li>- 'T' : IDENTIFIER_NUM = verse number referring to the text stipulating cumulation rules.</li> <li>- 'D' : IDENTIFIER_NUM = VMP_ID of non-cumulative virtual medicinal product.</li> <li>- 'A' : IDENTIFIER_NUM = AMP_ID of non-cumulative actual medicinal product.</li> <li>- 'K' : IDENTIFIER_NUM = AMPP_ID of non-cumulative actual medicinal product package.</li> </ul>
<b>identifierNum</b>	Mandatory - Identifier in another entity of the term excluding the reimbursement. Its value depends on the <b>exclusionType</b> values listed above.

**Notices :**

- Data from table PARAGRAPH are returned as shown in Figure 3. The optional data are indicated by a dotted line-frame; e.g. the end date is not always present for a paragraph.
- From table VERSE, the lines (verseList) which are part of the requested paragraph are returned as shown in Figure 4. The optional data are framed in a dotted line. All verses in the paragraph are returned unless one or more verse numbers were introduced. In this case, only the data matching these verse numbers will be returned.
- *addedDocumentIndicator* ≠ *OTHER\_ADDED\_DOCUMENT\_IND*. The latter indicates that the verse contains a reference to a report which has to be added (as an unstructured annex) to the reimbursement request in order to prove or justify the treatment.
- From table QUALIFICATION\_LIST only the ID is returned here, whereas from table PROFESSIONAL\_CODE all details are returned.
- Paragraphs still containing unstructured cumulation restrictions have value 'E' in the field PROCESS\_TYPE\_OVERRULE. The verse texts stipulating unstructured cumulation rules can be found in table VERSE having VERSE\_TYPE = 'E'.

**Example :**

**Request :**

```
<soapenv:Envelope xmlns:soapenv="http://schemas.xmlsoap.org/soap/envelope/"
xmlns:urn="urn:be:fgov:ehhealth:samcivics:schemas:v1">
  <soapenv:Header/>
  <soapenv:Body>
    <urn:FindParagraphTextRequest>
      <chapterName>IV</chapterName>
      <paragraphName>30200</paragraphName>
      <language>nl</language>
    </urn:FindParagraphTextRequest>
  </soapenv:Body>
</soapenv:Envelope>
```

**Response :**

```
<S:Envelope xmlns:S="http://schemas.xmlsoap.org/soap/envelope/">
  <S:Body>
```

```

<ns4:FindParagraphTextResponse xmlns:ns4="urn:be:fgov:health:samcivics:schemas:v1"
xmlns:ns3="urn:be:fgov:health:errors:service:v1">
  <paragraph>
    <startDate>2012-09-01+02:00</startDate>
    <chapterName>IV</chapterName>
    <paragraphName>30200</paragraphName>
    <keyStringNl>vulling van het MARS-toestel</keyStringNl>
    <keyStringFr>remplissage de l appareil MARS</keyStringFr>
    <processType>6</processType>
    <paragraphVersion>1</paragraphVersion>
    <verseList>
      <verse>
        <startDate>2012-09-01+02:00</startDate>
        <verseSeq>1</verseSeq>
        <verseNum>24</verseNum>
        <verseSeqParent>0</verseSeqParent>
        <verseLevel>1</verseLevel>
        <checkboxInd>>false</checkboxInd>
        <minCheckNum>0</minCheckNum>
        <textNl>Paragraaf 30200</textNl>
        <textFr>Paragraphe 30200</textFr>
        <addedDocumentInd>>false</addedDocumentInd>
      </verse>
      <verse>
        <startDate>2012-09-01+02:00</startDate>
        <verseSeq>2</verseSeq>
        <verseNum>25</verseNum>
        <verseSeqParent>1</verseSeqParent>
        <verseLevel>2</verseLevel>
        <checkboxInd>>false</checkboxInd>
        <textNl>De specialiteit wordt vergoed als ze is voorgeschreven voor de vulling
van het MARS-toestel (Molecular Adsorbents Recirculating System) met 20 % albumine-oplossingen tot
een maximaal volume van 600 ml, voor zover de betrokken MARS-sessie beantwoordt aan
terugbetalingsvoorwaarden vastgelegd in de nomenclatuur van geneeskundige verzorging.</textNl>
        <textFr>La spécialité fait l objet d un remboursement si elle a été prescrite
pour le remplissage de l appareil MARS (Molecular Adsorbents Recirculating System) avec des
solutions à base d albumine 20%, pour un maximum de 600 ml, pour autant que la séance concernée
avec l appareil MARS réponde aux conditions de remboursement fixées par la nomenclature soins de
santé.</textFr>
        <requestType>N</requestType>
        <agreementTerm>3</agreementTerm>
        <agreementTermUnit>M</agreementTermUnit>
        <addedDocumentInd>>false</addedDocumentInd>
      </verse>
    </verseList>
  </paragraph>
</ns4:FindParagraphTextResponse>
</S:Body>
</S:Envelope>

```

### 3.1.3. Error messages

The following events give a Soap Fault:

Error message	Error cases
<b>No data found.</b>	<ul style="list-style-type: none"> <li>- a paragraph name doesn't exist</li> <li>- paragraph name and chapter name are not compatible</li> <li>- a chapter name is introduced without a paragraph name</li> <li>- a paragraph name is introduced without a chapter name</li> </ul>
<b>Invalid start date.</b>	Date format is invalid
<b>The language can not be null.</b>	No language choice is introduced



**The input date and/or the paragraph version must be null.**

Both start date and version number are introduced

## 3.2 Retrieve refundable specialties : 'GetParagraphIncludedSpecialties'

This webservice returns all specialties which are reimbursed within the requested paragraph.

### 3.2.1. Input data: GetParagraphIncludedSpecialtiesRequest

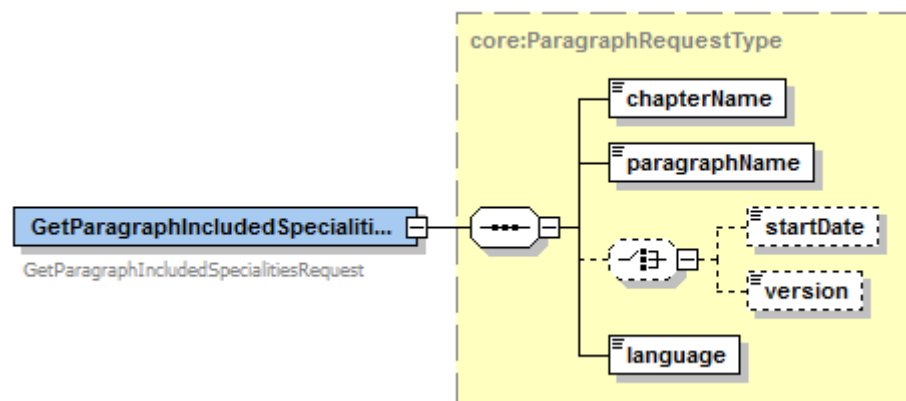


Figure 6 : GetParagraphIncludedSpecialtiesRequest – Input Data

Field name	Description
<b>chapterName</b>	Mandatory - The name of the chapter involved in the reimbursement conditions of medicines as stated in the royal decree of 21 December 2001 and the royal decrees modifying this one. Example: 'IV'
<b>paragraphName</b>	Mandatory - The name of the paragraph or the subparagraph, which for the presumed chapters, is limited to an identification number, the last 4 numbers representing variations within the same subject. Examples: '30200'; '290000'
<b>startDate</b>	Optional - The date starting from which information should be retrieved. If a date is introduced, no version can be given. Format: YYYY-MM-DD Examples: '2012-12-01'; '2013-03-31'
<b>version</b>	Optional - The version number. If a version number is introduced, no input date can be given. Example: '1', '2',..
<b>language</b>	Mandatory - The language in which the returned information is expected. The legislation text itself however is always returned in both languages. Possible values : 'fr', 'FR', 'Fr', 'nl', 'NL', 'NI' (case sensitive)

As shown in Figure 7, chapter name, paragraph name and language form the mandatory input data for this webservice. Start date and version are optional, but only one can be introduced at a time.

#### Notices :

- This webservice retrieves data related to one specific chapter and paragraph.
  - Chapter name and paragraph name have to be coherent, i.e. the paragraph name must exist for given chapter.
  - Chapter will initially be 'IV' but will eventually extend to other chapters.
- Input date and version are mutually exclusive: they should not be introduced both at the same time.
  - if neither a date nor a version is introduced, the most recent available data will be returned.
  - If an input date is introduced, information will be fetched which is/was valid for this date. The input date must be smaller than or equal to the current date. The retrieved data have a

- start date smaller than or equal to the introduced date, and an optional end date greater than or equal to the introduced date.
- If a version number is introduced for a paragraph, data will be fetched for the requested version only.

### 3.2.2. Output data: GetParagraphIncludedSpecialtiesResponse

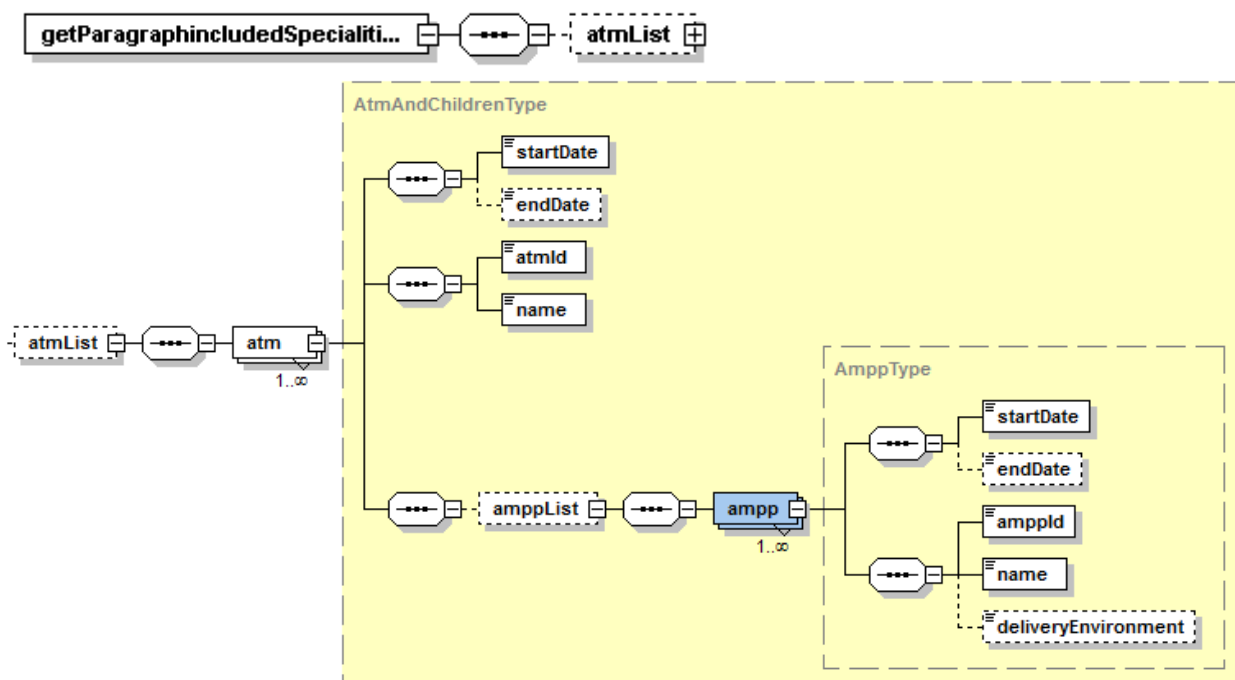


Figure 7 : GetParagraphIncludedSpecialtiesResponse - Output data

Field name	Description
<b>startDate</b>	Mandatory - The date starting the validity period of the returned ATM. Format: YYYY-MM-DD Examples: '2013-01-01'
<b>endDate</b>	Optional - The date ending the validity period of the returned ATM. This field doesn't appear in the response if the returned period corresponds to the current version. Format: YYYY-MM-DD Examples: '2013-01-31'
<b>atmId</b>	Mandatory - Unique identifier for the Actual Therapeutic Moiety.
<b>name</b>	Mandatory - Name of the ATM returned in the language specified in the request.
<b>amppList</b>	Optional - List of the Actual Medicinal Product Packages linked to the returned ATM.

Field name	Description
<b>startDate</b>	Mandatory - The date starting the validity period of the returned AMPP. Format: YYYY-MM-DD Examples: '2013-01-01'
<b>endDate</b>	Optional - The date ending the validity period of the returned AMPP. This field doesn't appear in the response if the returned period corresponds to the current version. Format: YYYY-MM-DD

	Examples: '2013-01-31'
<b>amppld</b>	Mandatory - Actual Medicinal Product Package code value. It is identical to the 7-digit CNK code but contains no leading zeroes.
<b>name</b>	Mandatory - Name of the AMPP returned in the language specified in the request.
<b>deliveryEnvironment</b>	Optional - Type of the environment in which the medicine is delivered : - 'P' = Public - 'H' = Hospital - 'A' = Ambulant - 'E' = Ex-Usine

**Notices :**

- For the requested paragraph all reimbursed ATMs are returned (ATM list).
- For each ATM the associated AMPP list is given, containing the AMPP\_IDs (CNK-numbers) and the package description.

**Example :**

**Request :**

```
<soapenv:Envelope xmlns:soapenv="http://schemas.xmlsoap.org/soap/envelope/"
xmlns:urn="urn:be:fgov:ehealth:samcivics:schemas:v1">
  <soapenv:Header/>
  <soapenv:Body>
    <urn:GetParagraphIncludedSpecialitiesRequest>
      <chapterName>IV</chapterName>
      <paragraphName>40100</paragraphName>
      <language>n1</language>
    </urn:GetParagraphIncludedSpecialitiesRequest>
  </soapenv:Body>
</soapenv:Envelope>
```

**Response :**

```
<S:Envelope xmlns:S="http://schemas.xmlsoap.org/soap/envelope/">
  <S:Body>
    <ns4:GetParagraphIncludedSpecialitiesResponse
xmlns:ns4="urn:be:fgov:ehealth:samcivics:schemas:v1"
xmlns:ns3="urn:be:fgov:ehealth:errors:service:v1">
      <atmList>
        <atm>
          <startDate>2012-09-01+02:00</startDate>
          <atmId>1854</atmId>
          <name>Rifadine</name>
          <amppList>
            <ampp>
              <startDate>2012-10-01+02:00</startDate>
              <amppId>75747</amppId>
              <name>Rifadine caps 100x 150mg</name>
              <deliveryEnvironment>H</deliveryEnvironment>
            </ampp>
            <ampp>
              <startDate>2012-10-01+02:00</startDate>
              <amppId>75747</amppId>
              <name>Rifadine caps 100x 150mg</name>
              <deliveryEnvironment>A</deliveryEnvironment>
            </ampp>
            <ampp>
              <startDate>2012-10-01+02:00</startDate>
              <amppId>75747</amppId>
              <name>Rifadine caps 100x 150mg</name>
              <deliveryEnvironment>P</deliveryEnvironment>
            </ampp>
            <ampp>
              <startDate>2012-10-01+02:00</startDate>
              <amppId>75770</amppId>
              <name>Rifadine caps 50x 300mg</name>
            </ampp>
          </amppList>
        </atm>
      </atmList>
    </ns4:GetParagraphIncludedSpecialitiesResponse>
  </S:Body>
</S:Envelope>
```

```

        <deliveryEnvironment>H</deliveryEnvironment>
    </ampp>
    <ampp>
        <startDate>2012-10-01+02:00</startDate>
        <amppId>75770</amppId>
        <name>Rifadine caps 50x 300mg</name>
        <deliveryEnvironment>P</deliveryEnvironment>
    </ampp>
    <ampp>
        <startDate>2012-10-01+02:00</startDate>
        <amppId>75770</amppId>
        <name>Rifadine caps 50x 300mg</name>
        <deliveryEnvironment>A</deliveryEnvironment>
    </ampp>
    <ampp>
        <startDate>2012-09-01+02:00</startDate>
        <amppId>881797</amppId>
        <name>Rifadine flac inf 600mg</name>
        <deliveryEnvironment>H</deliveryEnvironment>
    </ampp>
    <ampp>
        <startDate>2012-09-01+02:00</startDate>
        <amppId>881797</amppId>
        <name>Rifadine flac inf 600mg</name>
        <deliveryEnvironment>A</deliveryEnvironment>
    </ampp>
</ampplist>
</atm>
</atmList>
</ns4:GetParagraphIncludedSpecialitiesResponse>
</S:Body>
</S:Envelope>

```

### 3.2.3. Error messages

The following events give a Soap Fault:

Error message	Error cases
<b>No data found.</b>	<ul style="list-style-type: none"> <li>- a paragraph name doesn't exist</li> <li>- paragraph name and chapter name are not compatible</li> <li>- a chapter name is introduced without a paragraph name</li> <li>- a paragraph name is introduced without a chapter name</li> </ul>
<b>Invalid start date.</b>	Date format is invalid
<b>The language can not be null.</b>	No language choice is introduced
<b>The input date and/or the paragraph version must be null.</b>	Both start date and version number are introduced

### 3.3 Retrieve not simultaneously refundable specialties : 'GetParagraphExclusions'

Some specialties may not be reimbursed together with other administered specialties for which there already is an agreement to refund.

Unlike the cumulation restrictions in FindParagraphTextResponse, the restrictions in GetParagraphExclusions are returned in a more structured manner allowing immediate interpretation.

All specialties are listed which can not be reimbursed simultaneously with the refundable specialties inherent in requested paragraph, which means that if there already is an agreement to reimburse one of these listed specialties, the refund application for the current paragraph can not be approved of.

#### 3.3.1. Input data: GetParagraphExclusionsRequest

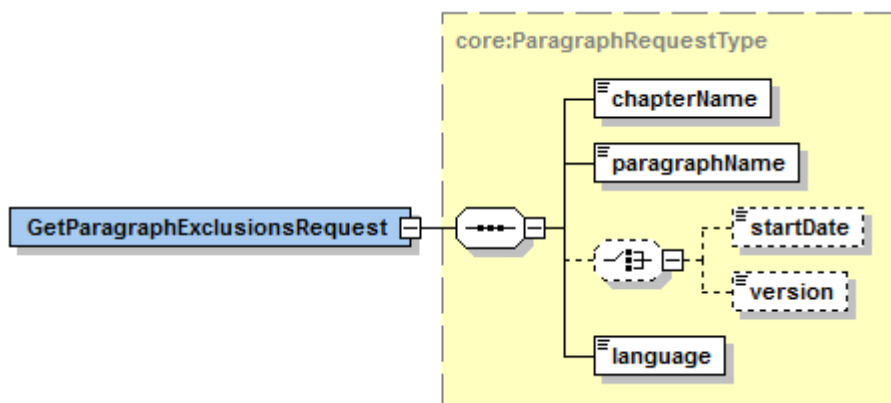


Figure 8 : GetParagraphExclusionsRequest - Input data

Field name	Description
<b>chapterName</b>	Mandatory - The name of the chapter involved in the reimbursement conditions of medicines as stated in the royal decree of 21 December 2001 and the royal decrees modifying this one. Example: 'IV'
<b>paragraphName</b>	Mandatory - The name of the paragraph or the subparagraph, which for the presumed chapters, is limited to an identification number, the last 4 numbers representing variations within the same subject. Examples: '30200'; '290000'
<b>startDate</b>	Optional - The date starting from which information should be retrieved. If a date is introduced, no version can be given. Format: YYYY-MM-DD Examples: '2012-12-01'; '2013-03-31'
<b>version</b>	Optional - The version number. If a version number is introduced, no input date can be given. Example: '1', '2',..
<b>language</b>	Mandatory - The language in which the returned information is expected. The legislation text itself however is always returned in both languages. Possible values : 'fr', 'FR', 'Fr', 'nl', 'NL', 'NI' (case sensitive)

As shown in Figure 9, chapter name, paragraph name and language form the mandatory input data for this webservice. Start date and version are optional, but only one can be introduced at a time.

#### Notices :

- This webservice retrieves data related to one specific chapter + paragraph.
- Chapter name and paragraph name have to be coherent, i.e. the paragraph name must exist for the given chapter. Chapter will initially be 'IV' but will eventually extend to other chapters.

- Input date and version are mutually exclusive: they should not be introduced both at the same time.
- If neither a date nor a version is introduced, the most recent available data will be returned.
- If an input date is introduced, information will be fetched which is/was valid for this date. The input date must be smaller than or equal to the current date. The retrieved data have a start date smaller than or equal to the introduced date, and an optional end date greater than or equal to the introduced date.
- If a version number is introduced for a paragraph, data will be fetched for the requested version only.

### 3.3.2. Output data: GetParagraphExclusionsResponse

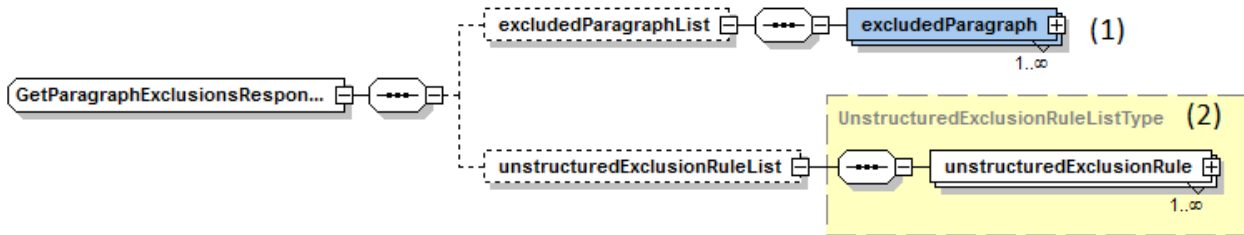


Figure 9 : GetParagraphExclusionsResponse - Output cumulation restrictions

Field name	Description
<b>excludedParagraphList</b>	List rendering unstructured exclusion rules (unstructuredExclusionRuleList): if PROCESS_TYPE_OVERRULE contains value 'E' (exclusion), the unstructured verse texts are returned.
<b>unstructuredExclusionRuleList</b>	List rendering the non-cumulative paragraphs (ExcludedParagraphList): if PROCESS_TYPE_OVERRULE does not contain value 'E' (exclusion), the excluded AMPP (CNK) are returned together with their related ATM and the paragraph numbers (PARAGRAPH_NAME) within which they are reimbursed.

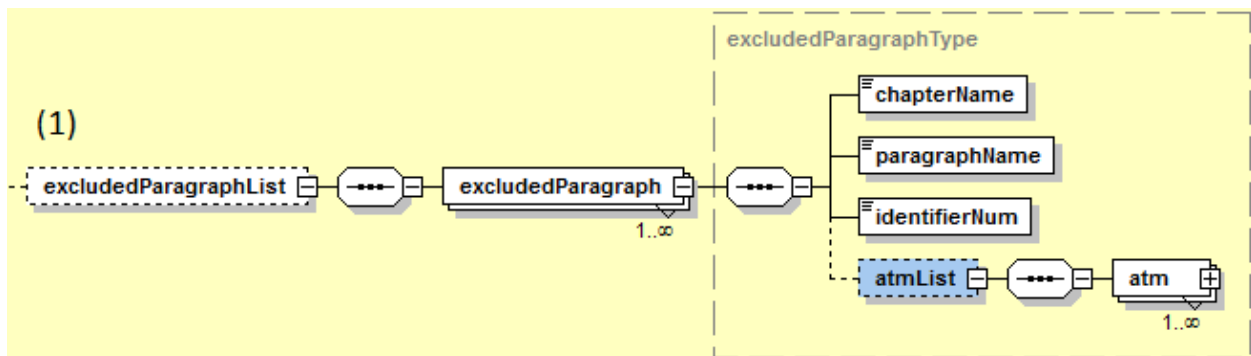


Figure 10 : GetParagraphExclusionsResponse - excludedParagraphList

Field name	Description
<b>chapterName</b>	Mandatory - The name of the chapter related to a paragraph excluded from the requested paragraph. Example: 'IV'
<b>paragraphName</b>	Mandatory - The name of the paragraph excluded from the requested paragraph. Example: '1610000'
<b>identifierNum</b>	Mandatory - Identifier in another entity of the term excluding the

	reimbursement. The determination of the entity is made thanks to the field EXCLUSION_TYPE.
atmList	Optional - List of the ATMs excluded from the requested paragraph. This list has the same structure than already described at Figure 8 (see on page 19).

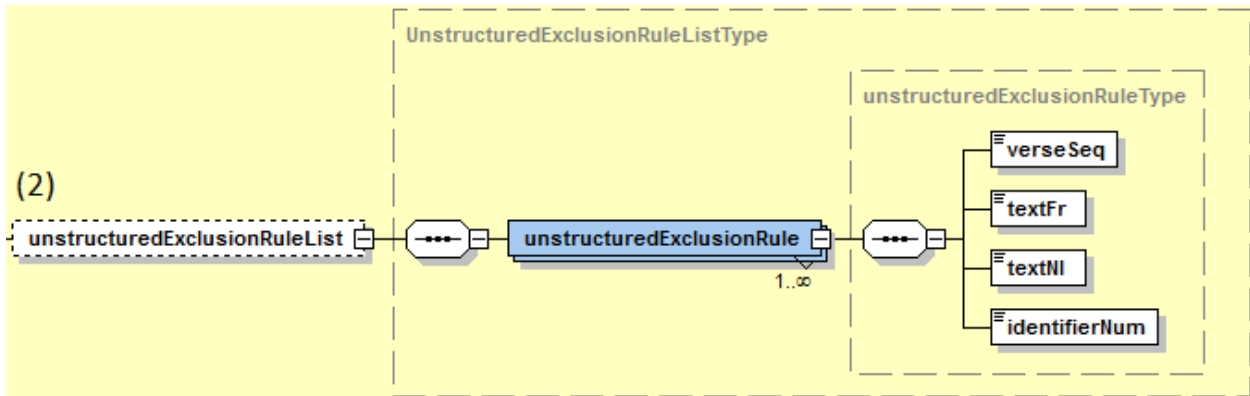


Figure 11 : GetParagraphExclusionsResponse – unstructuredExclusionRuleList

Field name	Description
verseSeq	Mandatory - Sequence number of the verse within the paragraph.
textFr	Mandatory - French version of the part of the legislation text within the verse.
textNI	Mandatory - Dutch version of the part of the legislation text within the verse.
identifierNum	Mandatory - See the description in FindParagraphTextResponse for further details.

**Notices:**

- If a requested paragraph stipulates cumulation restrictions, the medical advisor needs to investigate whether reimbursement agreements have been granted for these excluded paragraphs. This webservice lists the impacted paragraph numbers.
- However this is only possible for paragraphs where cumulation restrictions have been structured completely. The degree of structuring is indicated by [PARAGRAPH] PROCESS\_TYPE\_OVERRULE : value 'E' indicates paragraphs containing cumulation stipulations which have not (yet) been formalized.

**Remarks:**

- Some insurance institutions assume that cumulation restrictions apply to entire paragraphs rather than to specific specialties, meaning that if specialty b within paragraph B can not be refunded simultaneously with specialty a within paragraph A, all within paragraph A reimbursed specialties can not be reimbursed simultaneously with these within paragraph B. Since this is an assumption that can not be explicitly derived from the legislation itself, except in cases where cumulation restrictions refer to an entirely different paragraph, the restrictions in the database have been translated literally according to the stipulations of the law. The assumption of restrictions based on entire paragraphs can however resolve the problem of implicit reciprocity of cumulation restrictions.
- Reciprocity of cumulation restrictions: if specialty B within paragraph B can not be reimbursed simultaneously with specialty a within paragraph A, specialty a within paragraph A can not be reimbursed simultaneously with specialty B within paragraph B. Possibly the legislator has failed to add this reciprocal cumulation restriction in paragraph A while creating paragraph B or specialty b. Since the structuring was done based on the legislation texts, these implicit reciprocities have not been reckoned with (yet).



## Example:

### Request:

```
<soapenv:Envelope xmlns:soapenv="http://schemas.xmlsoap.org/soap/envelope/"
xmlns:urn="urn:be:fgov:ehealth:samcivics:schemas:v1">
  <soapenv:Header/>
  <soapenv:Body>
    <urn:GetParagraphExclusionsRequest>
      <chapterName>IV</chapterName>
      <paragraphName>1070000</paragraphName>
      <language>nl</language>
    </urn:GetParagraphExclusionsRequest>
  </soapenv:Body>
</soapenv:Envelope>
```

### Response: (short fictional version: the real response is more as 5 pages)

```
<S:Envelope xmlns:S="http://schemas.xmlsoap.org/soap/envelope/">
  <S:Body>
    <ns4:GetParagraphExclusionsResponse xmlns:ns4="urn:be:fgov:ehealth:samcivics:schemas:v1"
xmlns:ns3="urn:be:fgov:ehealth:errors:service:v1">
      <excludedParagraphList>
        <excludedParagraph>
          <chapterName>IV</chapterName>
          <paragraphName>1070000</paragraphName>
          <identifierNum>B-48</identifierNum>
          <atmList>
            <atm>
              <startDate>2012-09-01+02:00</startDate>
              <atmId>475</atmId>
              <name>Dakar</name>
              <amppList>
                <ampp>
                  <startDate>2012-09-01+02:00</startDate>
                  <amppId>1089531</amppId>
                  <name>Dakar caps EC 28x 30mg</name>
                </ampp>
              </amppList>
            </atm>
          </atmList>
        </excludedParagraph>
      </excludedParagraphList>
    </ns4:GetParagraphExclusionsResponse>
  </S:Body>
</S:Envelope>
```

### 3.3.3. Error messages

The following events give a Soap Fault:

Error message	Error cases
<b>No data found.</b>	<ul style="list-style-type: none"><li>- a paragraph name doesn't exist</li><li>- paragraph name and chapter name are not compatible</li><li>- a chapter name is introduced without a paragraph name</li></ul>

	<ul style="list-style-type: none"> <li>- a paragraph name is introduced without a chapter name</li> <li>- no entry found for the given paragraph / version</li> <li>- the CNK number doesn't exist</li> </ul>
<b>Invalid start date.</b>	Date format is invalid
<b>The language can not be null.</b>	No language choice is introduced
<b>The input date and/or the paragraph version must be null.</b>	Both start date and version number are introduced

### 3.4 Retrieve qualification requirements : 'GetProfessionalAuthorizations'

Certain paragraphs stipulate requirements concerning the professional qualification of the physician-prescriber.

The qualification list contains the professional codes known by the NIHD1 or even the name of the authorized prescriber himself.

#### 3.4.1. Input data: GetProfessionalAuthorizationsRequest

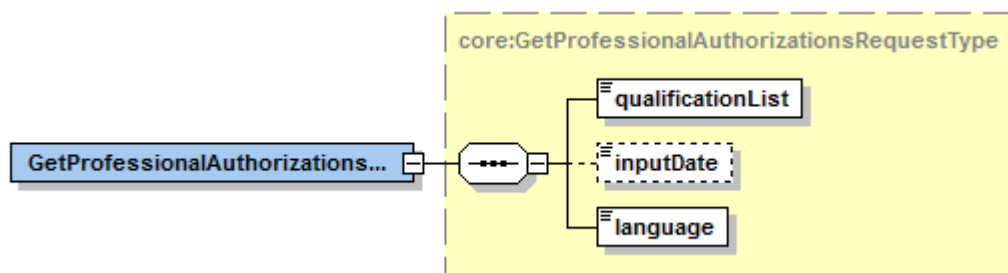


Figure 12 : GetProfessionalAuthorizations - Input data

Field name	Description
<b>qualificationList</b>	Mandatory - "Qualification List" code for which the professional authorizations must be returned. Example: '125'
<b>inputDate</b>	Optional - The date starting from which information should be retrieved. Format: YYYY-MM-DD Examples: '2012-09-01'
<b>language</b>	Mandatory - The language in which the returned information is expected. The legislation text itself however is always returned in both languages. Possible values : 'fr', 'FR', 'Fr', 'nl', 'NL', 'NI' (case sensitive)

#### Notices :

- Qualification data only exist for paragraphs containing verses referencing qualification requirements in the fields PURCHASING\_ADVISOR\_QUAL\_CV and/or PURCHASING\_ADVISOR\_QUAL\_LIST. The identifier of the latter is returned as output of the webservice FindParagraphText.
- If no date or an invalid YYYY-MM-DD is introduced, the most recent available data will be returned.
- If an input date is introduced, information will be fetched which is/was valid for this date. The input date must be smaller than or equal to the current date. The retrieved data have a start date smaller than or equal to the introduced date, and an optional end date greater than or equal to the introduced date.

### 3.4.2. Output data: GetProfessionalAuthorizationsResponse

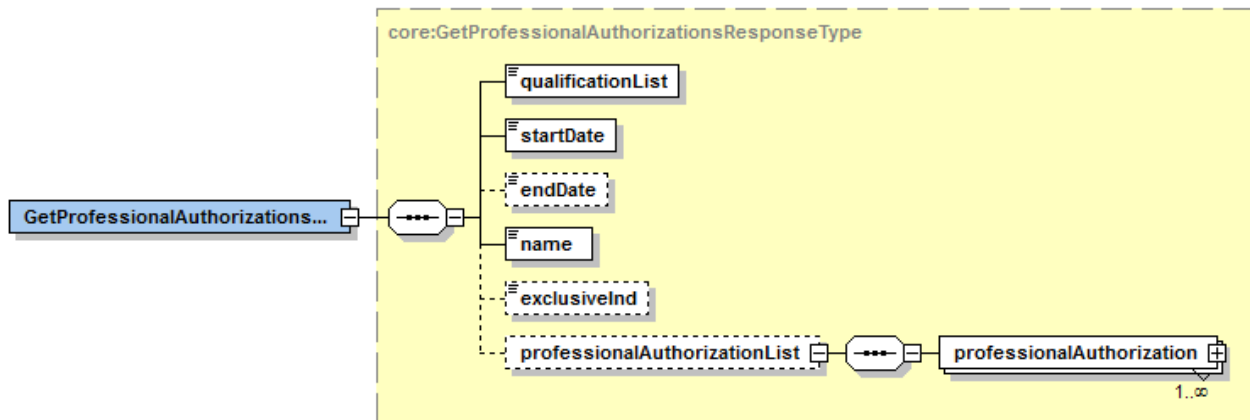


Figure 13 : GetProfessionalAuthorizationsResponse – Output data

Field name	Description
<b>qualificationList</b>	Mandatory – Input “Qualification List” code. Examples: ‘125’
<b>startDate</b>	Mandatory – The date starting the validity period of the returned Qualification List. Format: YYYY-MM-DD Examples: ‘2013-01-01’
<b>endDate</b>	Optional – The date ending the validity period of the returned Qualification List. This field doesn’t appear in the response if the returned period corresponds to the current version. Format: YYYY-MM-DD Examples: ‘2013-01-31’
<b>name</b>	Mandatory – Name of the “Qualification List” returned in the language specified in the request.
<b>exclusiveInd</b>	Optional – Indicates whether qualifications in the list should all apply simultaneously (value ‘2’) or just one (value= ‘1’).
<b>professionalAuthorizationList</b>	Optional – List of the existing professional authorizations for the returned qualification list.

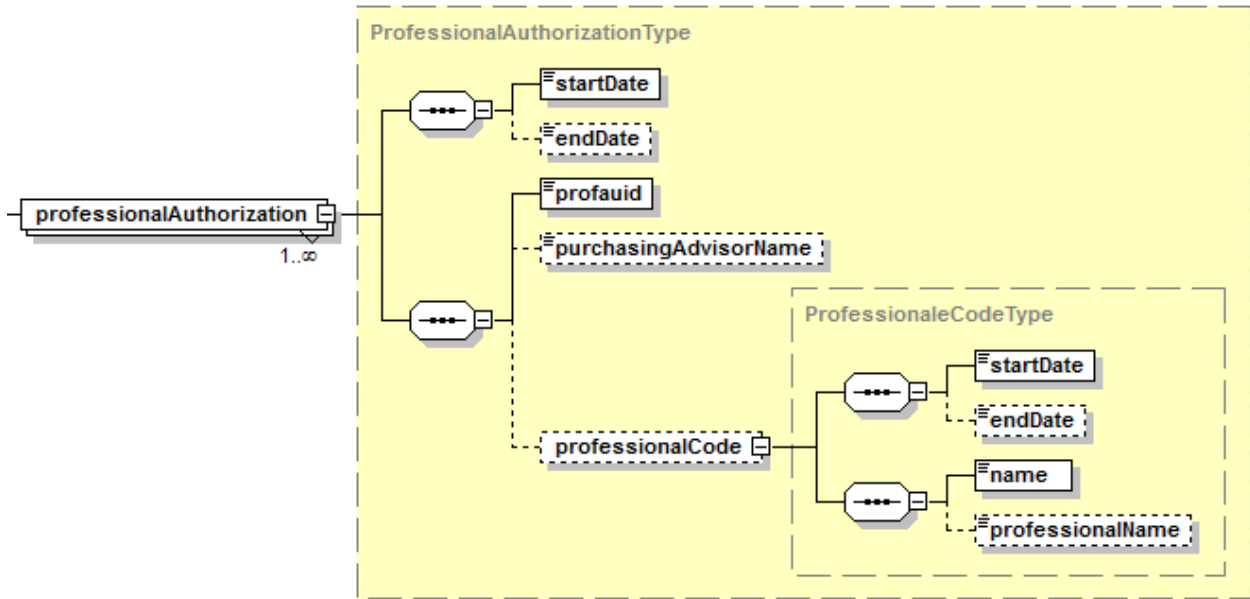


Figure 14 : GetProfessionalAuthorizationResponse - professionalAuthorizationType

professionalAuthorization	
Field name	Description
startDate	Mandatory - The date starting the validity period of the returned professional authorization. Format: YYYY-MM-DD Example: '2013-01-01'
endDate	Optional - The date ending the validity period of the returned professional authorization. This field doesn't appear in the response if the returned period corresponds to the current version. Format: YYYY-MM-DD Examples: '2013-01-31'
purchasingAdvisorName	Optional - Name of an authorized prescriber.
professionalCode	Complex type with the same structure as already defined at Figure 5 (see page <b>Error! Bookmark not defined.</b> ).

professionalCode	
Field name	Description
startDate	Mandatory - The date starting the validity period of the returned professional code. Format: YYYY-MM-DD Examples: '2013-01-01'
endDate	Optional - The date ending the validity period of the returned professional code. This field doesn't appear in the response if the returned period corresponds to the current version. Format: YYYY-MM-DD Examples: '2013-01-31'
name	Mandatory - Name of the medical profession recognized by the NIHDI related to a returned professional code.
professionalName	Optional - The denomination of the medical profiles according to the related professional code. Not currently used.

Notices :

Qualification data (Figure 14) are rendered as one or more professional codes as known by the NIHDI together with the description of the medical profile and/or the name of the authorized prescriber himself.

### 3.4.3. Error messages

The following events give a Soap Fault:

Error message	Error cases
No data found.	No informations in the DB for the given codes
Invalid start date.	Date format is invalid
The language can not be null.	No language choice is introduced

### 3.5 Look up which forms are attached to a paragraph : 'GetAddedDocuments'

This webservice returns the description and identification of the structured forms annexed to a paragraph, including the URL referencing the NIHDI-website where the forms can be consulted or downloaded.

#### 3.5.1. Input data: GetAddedDocumentsRequest

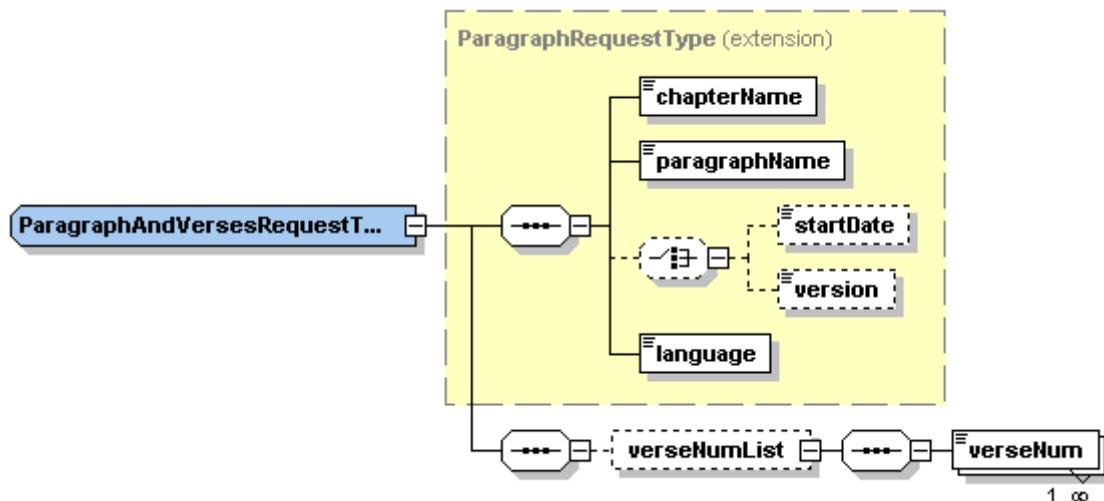


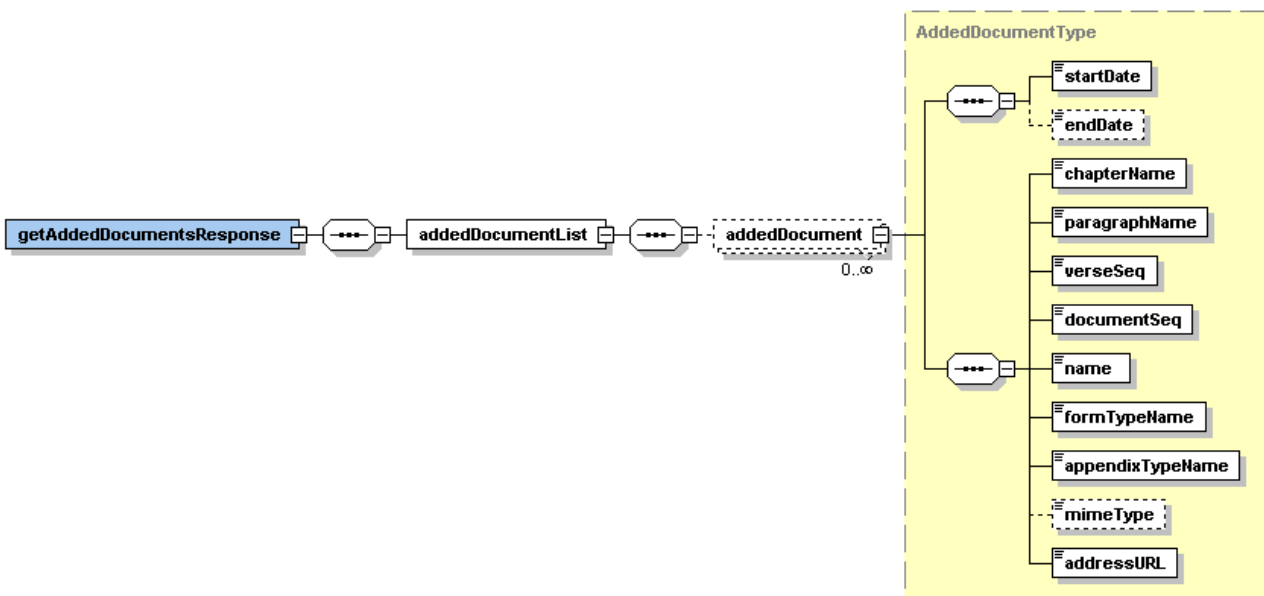
Figure 15 : GetAddedDocumentsRequest - Input data

Field name	Description
<b>chapterName</b>	Mandatory - The name of the chapter involved in the reimbursement conditions of medicines as stated in the royal decree of 21 December 2001 and the royal decrees modifying this one. Example: 'IV'
<b>paragraphName</b>	Mandatory - The name of the paragraph or the subparagraph, which for the presumed chapters, is limited to an identification number, the last 4 numbers representing variations within the same subject. Examples: '2230000'; '4280000'
<b>startDate</b>	Optional - The date starting from which information should be retrieved. If a date is introduced, no version can be given. Format: YYYY-MM-DD Examples: '2012-12-01'; '2013-03-31'
<b>version</b>	Optional - The version number. If a version number is introduced, no input date can be given. Example: '1', '2',...
<b>language</b>	Mandatory - The language in which the returned information is expected. The legislation text itself however is always returned in both languages. Possible values : 'fr', 'FR', 'Fr', 'nl', 'NL', 'NI' (case sensitive)
<b>verseNumList</b>	Optional - One or more specific line numbers of a paragraph (VERSE_NUM) can be introduced. Example: '4580', '7650',...

**Notices :**

- As shown in Figure 16, chapter name, paragraph name and language form the mandatory input data for this webservice. Start date and version are optional, but only one can be introduced at a time. Verse number list can be introduced in addition to the other data.
- This webservice returns data related to one specific chapter and paragraph.
- Data on structured forms only exists for paragraphs for which the output of the webservice FindParagraphText has returned a value in 'addedDocumentInd'.
- Chapter name and paragraph name have to be coherent, i.e. the paragraph name must exist for given chapter. Chapter will initially be 'IV' but will eventually extend to other chapters.
- Input date and version are mutually exclusive: they should not be introduced both at the same time.
  - If neither a date nor a version or an invalid YYYY-MM-DD is introduced, the most recent available data will be returned.
  - If an input date is introduced, information will be fetched which is/was valid for this date. The input date must be smaller than or equal to the current date. The retrieved data have a start date smaller than or equal to the introduced date, and an optional end date greater than or equal to the introduced date.
  - If a version number is introduced for a paragraph, data will be fetched for the requested version only.
- If one or more VERSE\_NUM are introduced, only the document data matching these verse numbers will be fetched.
  - the verse number is optional.
  - the introduced verse numbers have to be part of the requested paragraph.
  - if no verse number is given, the document data related to the entire paragraph text is returned.

**3.5.2. Output data: GetAddedDocumentsResponse**



**Figure 16 : GetAddedDocumentsResponse - Output data**



Field name	Description
<b>startDate</b>	Mandatory - The date starting the validity period of the returned "AddedDocument". Format: YYYY-MM-DD Examples: '2012-12-01'; '2013-05-01'
<b>endDate</b>	Optional - The date ending the validity period of the returned "AddedDocument". This field doesn't appear in the response if the returned period corresponds to the current version. Format: YYYY-MM-DD Examples: '2012-12-31'; '2013-05-31'
<b>chapterName</b>	Mandatory - The name of the chapter involved in the reimbursement conditions of medicines as stated in the royal decree of 21 December 2001 and the royal decrees modifying this one. Example: 'IV'
<b>paragraphName</b>	Mandatory - The name of the paragraph or the subparagraph, which for the presumed chapters, is limited to an identification number, the last 4 numbers representing variations within the same subject. Examples: '30200'; '290000'
<b>verseSeq</b>	Mandatory - Sequence number of the verse within the returned paragraph.
<b>documentSeq</b>	Mandatory - Sequence number of the added document within the returned paragraph.
<b>name</b>	Mandatory - Name of the added document returned in the language specified in the request.
<b>formTypeName</b>	Mandatory - Name of the form type related to the returned added document in the language specified in the request.
<b>appendixTypeName</b>	Mandatory - Name of the appendix type related to the returned added document in the language specified in the request.
<b>contentType</b>	Optional - Electronic type of the document content.
<b>addressURL</b>	Mandatory - URL address where the added document can be found.

#### Notices :

The output data are rendered as shown in Figure 17. They describe the structured forms including the URL referencing the website of the NIHDI where they can be consulted or downloaded.

### 3.5.3. Error messages

Error message	Error cases
<b>No data found.</b>	<ul style="list-style-type: none"> <li>- a paragraph name doesn't exist</li> <li>- paragraph name and chapter name are not compatible</li> <li>- a chapter name is introduced without a paragraph name</li> <li>- a paragraph name is introduced without a chapter name</li> </ul>
<b>Invalid start date.</b>	Date format is invalid
<b>The language can not be null.</b>	No language choice is introduced
<b>The input date and/or the paragraph version must be null.</b>	Both start date and version number are introduced

## 3.6 Retrieve reimbursement information on a paragraph or specialty : 'FindReimbursementConditions'

This webservice returns all information on prices and reimbursement amounts. This information can be obtained on all specialties in a specific paragraph or on a specific specialty appearing in various paragraphs.

### 3.6.1. Input data: FindReimbursementConditionsRequest

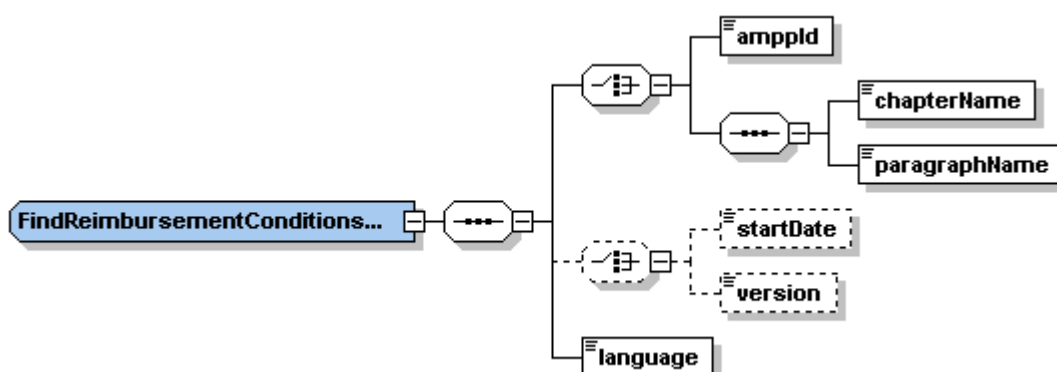


Figure 17 : FindReimbursementConditionsRequest - Input data

Field name	Description
<b>amppld</b>	Mandatory - Actual Medicinal Product Package code value. It is identical to the 7-digit CNK code but contains no leading zeroes. If a CNK is introduced, <b>chapterName</b> and <b>paragraphName</b> can't be given. Example: '1686559'
<b>chapterName</b>	Mandatory - The name of the chapter involved in the reimbursement conditions of medicines as stated in the royal decree of 21 December 2001 and the royal decrees modifying this one. Example: 'IV'
<b>paragraphName</b>	Mandatory - The name of the paragraph or the subparagraph, which for the presumed chapters, is limited to an identification number, the last 4 numbers representing variations within the same subject. Examples: '30200'; '320000'
<b>startDate</b>	Optional - The date starting the validity period of the returned "AddedDocument". Format: YYYY-MM-DD Examples: '2012-12-01'; '2013-05-01'
<b>version</b>	Optional - The version number. If a version number is introduced, no input date can be given. Example: '1', '2',...
<b>language</b>	Mandatory - The language in which the returned information is expected. The legislation text itself however is always returned in both languages. Possible values : 'fr', 'FR', 'Fr', 'nl', 'NL', 'NI' (case sensitive)

#### Notices :

- As shown in Figure 18, language and either chapter name + paragraph name or AMPP ID form the mandatory input data for this webservice. Start date and version are optional, but only one can be introduced at a time.
- AMPP\_ID (CNK) and chapter + paragraph are exclusive: if a CNK number is introduced, no chapter and paragraph name can be introduced at the same time and vice versa. However, either a CNK number or chapter name + paragraph name has to be introduced.
- Chapter name and paragraph name have to be coherent, i.e. the paragraph name must exist for given chapter. Chapter will initially be 'IV' but will eventually extend to other chapters.

- If an AMPP\_ID (CNK number) is introduced, detailed reimbursement information is returned for this specific specialty and the paragraph (one or more) within which it is reimbursed. These paragraphs will initially only be paragraphs chapter IV.
- If a chapter name + paragraph name is introduced, detailed reimbursement information is returned for all specialties within the requested paragraph.
- Input date and version are mutually exclusive: they should not be introduced both at the same time.
  - If neither a date nor a version or an invalid YYYY-MM-DD is introduced, the most recent available data will be returned.
  - If an input date is introduced, information will be fetched which is/was valid for this date. The input date must be smaller than or equal to the current date. The retrieved data have a start date smaller than or equal to the introduced date, and an optional end date greater than or equal to the introduced date.
  - If a version number is introduced for a paragraph, data will be fetched for the requested version only.

### 3.6.2. Output data: FindReimbursementConditionsResponse

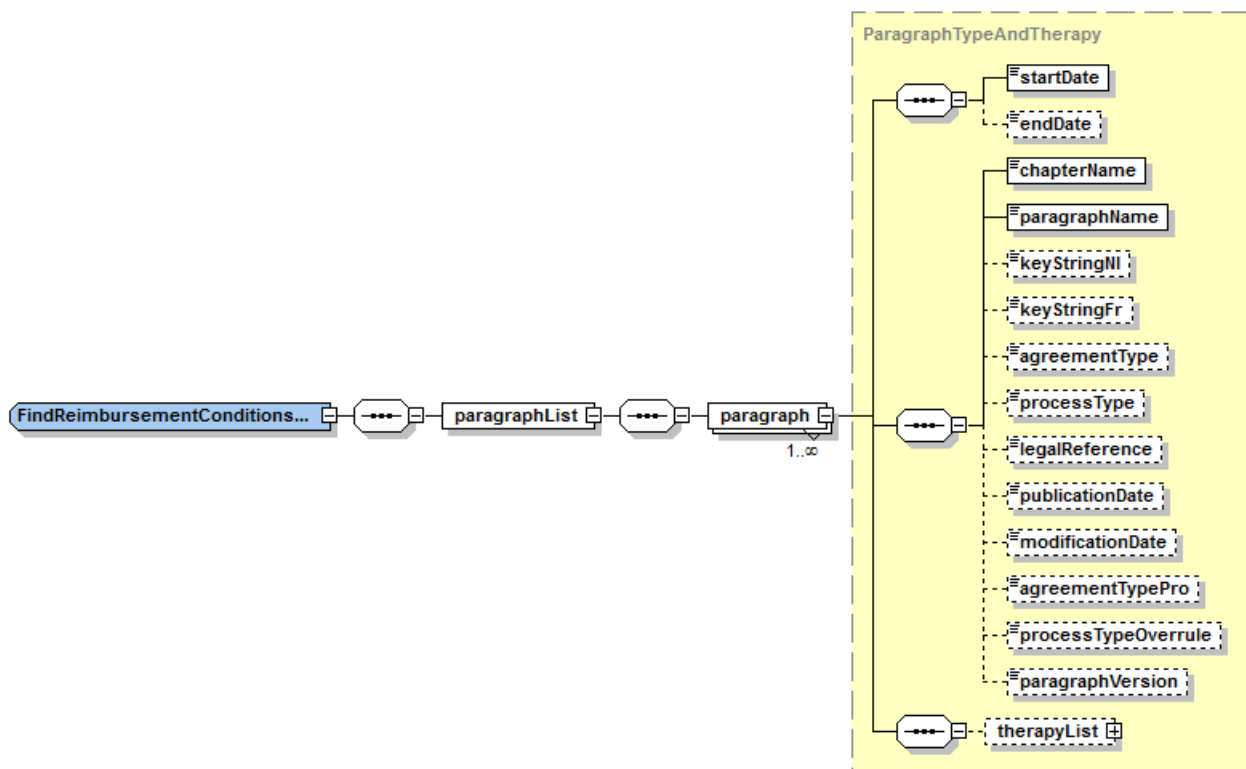


Figure 18 : FindReimbursementConditionsResponse - Output data

Field name	Description
<b>startDate</b>	Mandatory - The date starting the validity period of the returned "AddedDocument". Format: YYYY-MM-DD Examples: '2012-12-01'; '2013-05-01'
<b>endDate</b>	Optional - The date ending the validity period of the returned "AddedDocument". This field doesn't appear in the response if the returned period corresponds to the current version. Format: YYYY-MM-DD Examples: '2012-12-31'; '2013-05-31'
<b>chapterName</b>	Mandatory - The name of the chapter involved in the reimbursement conditions of medicines as stated in the royal decree of 21 December 2001 and the royal decrees modifying this one. Example: 'IV'

<b>paragraphName</b>	Mandatory - The name of the paragraph or the subparagraph, which for the presumed chapters, is limited to an identification number, the last 4 numbers representing variations within the same subject. Examples: '30200'; '290000'
<b>keyStringNI</b>	Optional - String of characters covering the most representative key words in NL of the paragraph content.
<b>keyStringFr</b>	Optional - String of characters covering the most representative key words in FR of the paragraph content.
<b>agreementType</b>	Optional - Value identifying the authorization model and therefore also the documents delivered by the insurance organization to the patient.
<b>processType</b>	Optional - Information reserved to insurance organizations.
<b>legalReference</b>	Optional - References to the legal text that created this paragraph for the first time.
<b>publicationDate</b>	Optional - Date of the first publication of the paragraph in the reference specified by LEGAL_REFERENCE.
<b>modificationDate</b>	Optional - Date of the last update of the content of the returned paragraph.
<b>processTypeOverride</b>	Optional - Information reserved to insurance organizations.
<b>agreementTypePro</b>	Optional - Value identifying the authorization model in case of prolongation of an agreement.
<b>paragraphVersion</b>	Mandatory - The version number of the returned paragraph.
<b>therapyList</b>	Optional - List of the therapy entries found for the related paragraph / CNK.

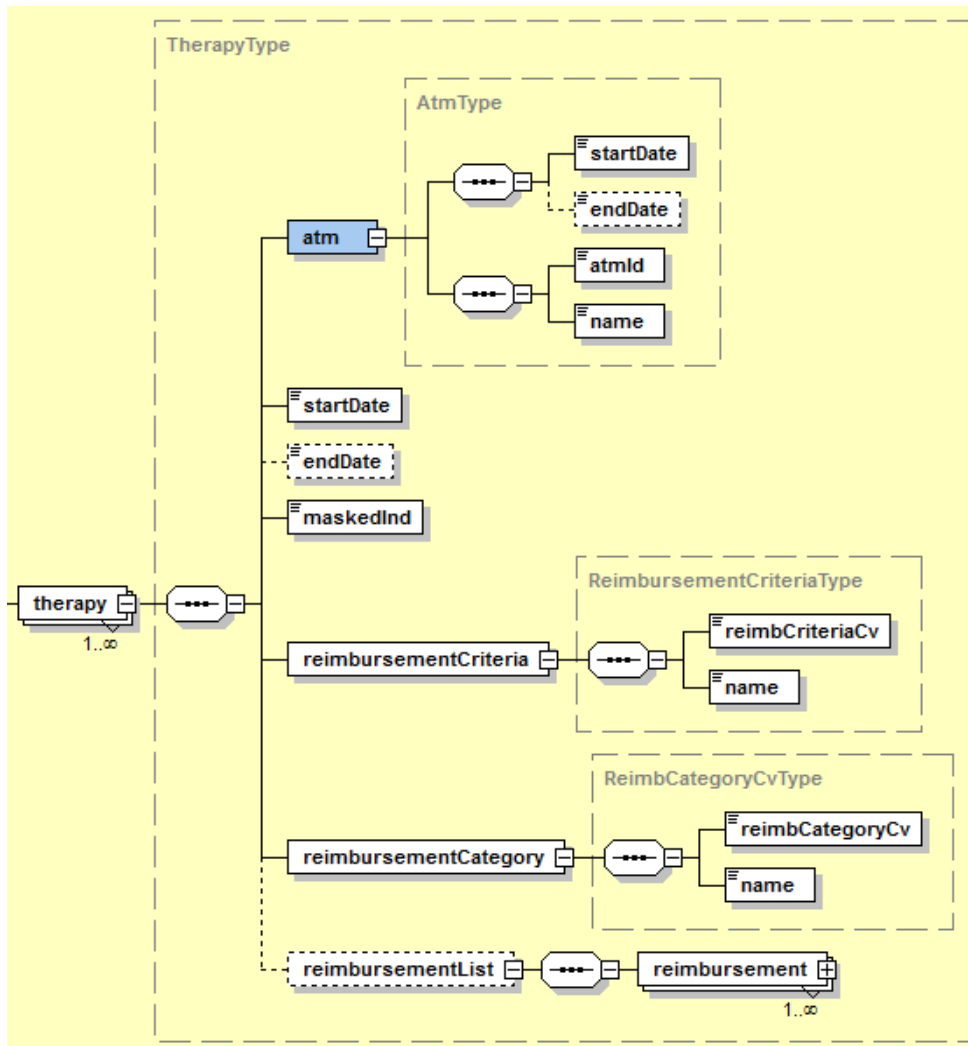


Figure 19 : FindReimbursementConditionsResponse - Output specialties related data

therapy	
Field name	Description
startDate	Mandatory - The date starting the validity period of the returned therapy. Format: YYYY-MM-DD Examples: '2013-01-01'
endDate	Optional - The date ending the validity period of the returned therapy. This field doesn't appear in the response if the returned period corresponds to the current version. Format: YYYY-MM-DD Examples: '2013-01-31'
maskedInd	Mandatory - Indicator pointing out if the speciality has to be presented to the user or not. See the SAM database logical data dossier for more details.
reimbursementCriteria	Mandatory - Information related to reimbursement criteria of the speciality.
reimbursementCategory	Mandatory - Information related to reimbursement category of the speciality.
reimbursementList	Optional - List of the existing reimbursements related to the returned speciality.

atm
-----

Field name	Description
<b>startDate</b>	Mandatory - The date starting the validity period of the returned ATM. Format: YYYY-MM-DD Examples: '2013-01-01'
<b>endDate</b>	Optional - The date ending the validity period of the returned ATM. This field doesn't appear in the response if the returned period corresponds to the current version. Format: YYYY-MM-DD Examples: '2013-01-31'
<b>atmId</b>	Mandatory - Unique identifier for the Actual Therapeutic Moiety.
<b>name</b>	Mandatory - Name of the ATM returned in the language specified in the request.

reimbursementCriteria	
Field name	Description
<b>reimbCriteriaCv</b>	Mandatory - Reimbursement criteria code value of the specialty.
<b>name</b>	Mandatory - Reimbursement criteria description returned in the language specified in the request.

reimbursementCategory	
Field name	Description
<b>reimbCategoryCv</b>	Mandatory - Reimbursement category code value of the specialty.
<b>name</b>	Mandatory - Reimbursement category description returned in the language specified in the request.

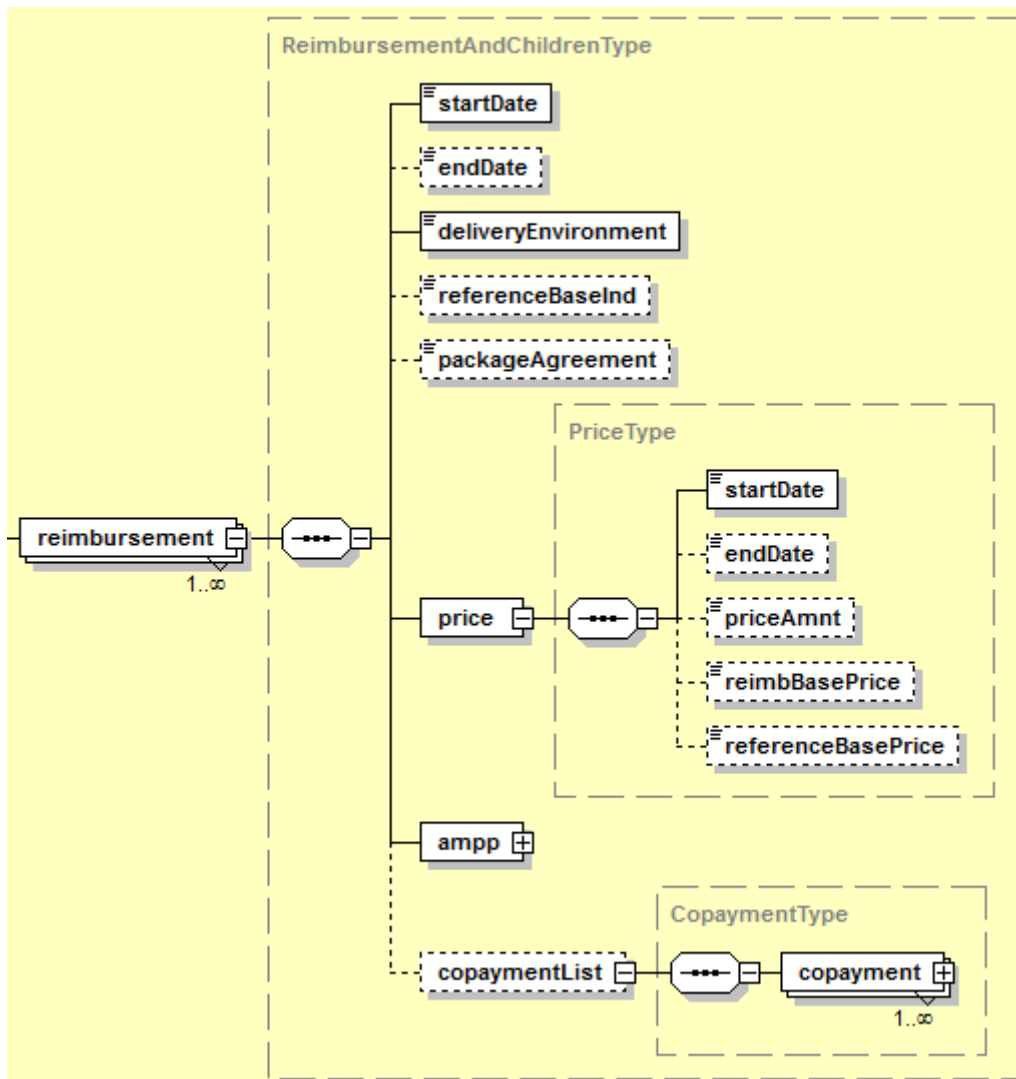


Figure 20: reimbursement

reimbursement	
Field name	Description
<b>startDate</b>	Mandatory - The date starting the validity period of the returned reimbursement. Format: YYYY-MM-DD Examples: '2013-01-01'
<b>endDate</b>	Optional - The date ending the validity period of the returned reimbursement. This field doesn't appear in the response if the returned period corresponds to the current version. Format: YYYY-MM-DD Examples: '2013-01-31'
<b>deliveryEnvironment</b>	Mandatory - Type of the environment in which the medicine is delivered : - 'P' = Public - 'H' = Hospital - 'A' = Ambulant - 'E' = Ex-Usine
<b>referenceBaseInd</b>	Mandatory - Indicator pointing out if the <b>referenceBasePrice</b> (see <b>price</b> bloc) has to be used for this reimbursement.
<b>packageAgreement</b>	Mandatory - Field indicating if the agreement on the reimbursement allows several packages for the same authorization or not.

<b>price</b>	Mandatory - Information about the price of the returned CNK.
<b>ampp</b>	Mandatory - Information about the package of the returned CNK.
<b>copaymentList</b>	Optional - Information about existing copayments for the returned CNK.

<b>price</b>	
<b>Field name</b>	<b>Description</b>
<b>startDate</b>	Mandatory - The date starting the validity period of the returned price. Format: YYYY-MM-DD Examples: '2013-01-01'
<b>endDate</b>	Optional - The date ending the validity period of the returned price. This field doesn't appear in the response if the returned period corresponds to the current version. Format: YYYY-MM-DD Examples: '2013-01-31'
<b>priceAmnt</b>	Mandatory - Price of the medicine in Euro.
<b>reimbBasePrice</b>	Mandatory - Base price in Euro for the calculation of the reimbursement.
<b>referenceBasePrice</b>	Mandatory - Reference price for the calculation of the reimbursement.

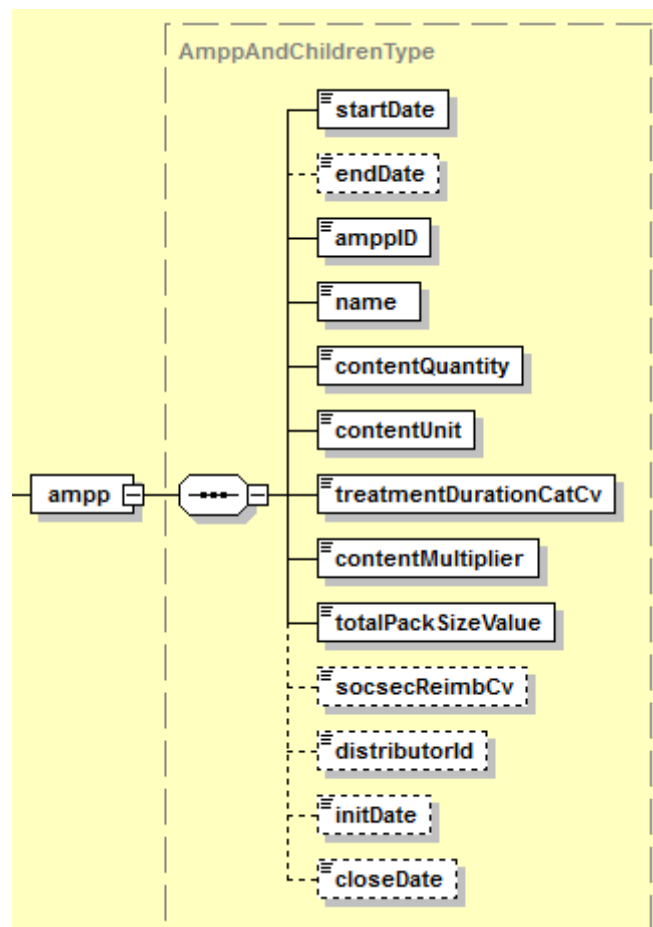


Figure 21: ampp



amp	
Field name	Description
startDate	Mandatory - The date starting the validity period of the returned AMPP (= CNK). Format: YYYY-MM-DD Examples: '2013-01-01'
endDate	Optional - The date ending the validity period of the returned AMPP. This field doesn't appear in the response if the returned period corresponds to the current version. Format: YYYY-MM-DD Examples: '2013-01-31'
ampplD	Mandatory - Actual Medicinal Product Package code value. It is identical to the 7-digit CNK code but contains no leading zeroes.
name	Mandatory - Name of the AMPP returned in the language specified in the request.
contentQuantity	Mandatory - Numerical value of the amount of AMP expressed by mass, volume or number of entities in the package as supplied.
contentUnit	Mandatory - Unit of measure of the amount of AMP expressed by mass, volume or number of entities in the package as supplied.
treatmentDurationCatCv	Mandatory - Code value for the pack size in which a VMP is available, expressed in terms of a pack size category.
contentMultiplier	Mandatory - It represents the number of intermediate containers or inner containers in a medicinal product package.
totalPackSizeValue	Mandatory -
socsecReimbCv	Mandatory - Social security reimbursement code (NIHDI).
distributorId	Mandatory - The distributor of the medicinal product.
initDate	Mandatory - Date of creation or first appearance of the VTM.
closeDate	Optional - The date on which the AMPP ceases to exist.
cheapest	Optional - Indicates if the medicinal product is considered by the NIHDI the cheapest on the market for the validity period.
inSupply	Optional - Indicates from which date the medicinal product is in supply.
availability	Optional - Availability date of the medicinal product given by the distributor.

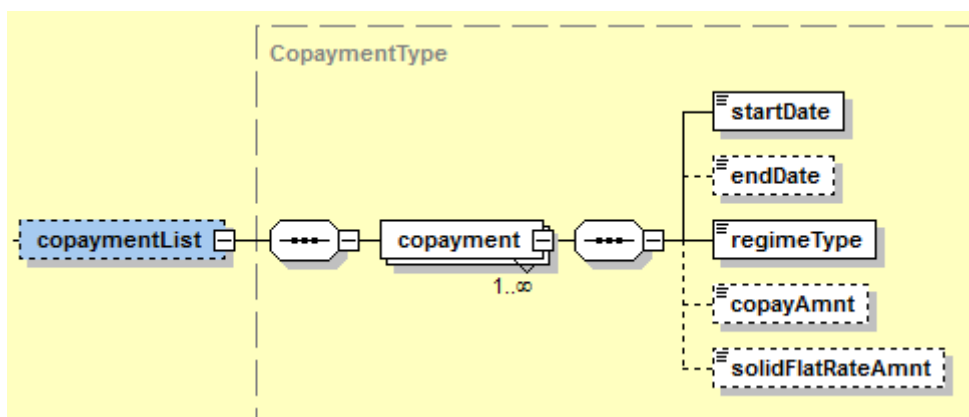


Figure 22: copaymentList

copayment	
Field name	Description
startDate	Mandatory - The date starting the validity period of the returned copayment. Format: YYYY-MM-DD Examples: '2013-01-01'
endDate	Optional - The date ending the validity period of the returned copayment. This field doesn't appear in the response if the returned period corresponds to the current version. Format: YYYY-MM-DD Examples: '2013-01-31'
regimeType	Mandatory - Type of the regime applicable to the reimbursement, dependent on the social or medical profile of the patient.
copayAmnt	Optional - Patient contribution in function of the patient regime.
solidFlatRateAmnt	Optional - This is an amount ranging from € 0 to maximum € 14.

#### Notices :

- Whatever the input is (chapter + paragraph name or CNK number), each time data is returned which is related to paragraph as well to the reimbursed specialties involved.
- If a CNK number is introduced which occurs in multiple paragraphs, the data related to all these paragraphs as well as the reimbursement data related to the requested CNK number are returned.
- If a chapter + paragraph name is introduced, the data related to this paragraph and the reimbursement information on all specialties reimbursed within this paragraph are returned.
- Paragraph related data is returned as shown in Figure 19.
- For each specialty (Figure 20), following information is returned :
  - ATM,
  - reimbursement category and –criteria,
  - reimbursement information related to administration environment (public, ambulant, hospital): CNK, prices, reimbursement by regime,
  - all data related to medicinal product package for each CNK.

#### Example :

##### Request :

```
<soapenv:Envelope xmlns:soapenv="http://schemas.xmlsoap.org/soap/envelope/"
xmlns:urn="urn:be:fgov:ehhealth:samcivics:schemas:v1">
  <soapenv:Header/>
  <soapenv:Body>
    <urn:FindReimbursementConditionsRequest>
      <chapterName>IV</chapterName>
      <paragraphName>170000</paragraphName>
      <language>nl</language>
    </urn:FindReimbursementConditionsRequest>
  </soapenv:Body>
</soapenv:Envelope>
```

##### Response :

```
<S:Envelope xmlns:S="http://schemas.xmlsoap.org/soap/envelope/">
  <S:Body>
    <ns4:FindReimbursementConditionsResponse
xmlns:ns4="urn:be:fgov:ehhealth:samcivics:schemas:v1"
xmlns:ns3="urn:be:fgov:ehhealth:errors:service:v1">
```

```

<paragraphList>
  <paragraph>
    <startDate>2012-11-01+01:00</startDate>
    <chapterName>IV</chapterName>
    <paragraphName>170000</paragraphName>
    <keyStringNl>hypoparathyreoïdie - osteomalacie - rachitis - pseudo-
hypoparathyreose - syndroom van Fanconi - De Toni - Debré</keyStringNl>
    <keyStringFr>hypoparathyroïdie - ostéomalacie - rachitisme - pseudo-
hypoparathyréose - syndrome de Fanconi - De Toni - Debré</keyStringFr>
    <agreementType>b</agreementType>
    <processType>1</processType>
    <paragraphVersion>4</paragraphVersion>
    <therapyList>
      <therapy>
        <atm>
          <startDate>2012-09-01+02:00</startDate>
          <atmId>2284</atmId>
          <name>Dedrogyl</name>
        </atm>
        <startDate>2012-11-01+01:00</startDate>
        <maskedInd>0</maskedInd>
        <reimbursementCriteria>
          <reimbCriteriaCv>B-143</reimbCriteriaCv>
          <name>XIII.1.2 VITAMINES. De vitamines die tot de volgende
groepen behoren: metaboliëten en derivaten van vitamine D.</name>
        </reimbursementCriteria>
        <reimbursementCategory>
          <reimbCategoryCv>B</reimbCategoryCv>
          <name>Categorie B bevat therapeutisch belangrijke farmaceutische
specialiteiten, dit zijn bijvoorbeeld de antibiotica</name>
        </reimbursementCategory>
        <reimbursementList>
          <reimbursement>
            <startDate>2012-10-01+02:00</startDate>
            <deliveryEnvironment>A</deliveryEnvironment>
            <referenceBaseInd>>false</referenceBaseInd>
            <price>
              <startDate>2012-10-01+02:00</startDate>
              <priceAmnt>0.768</priceAmnt>
              <reimbBasePrice>0.0</reimbBasePrice>
              <referenceBasePrice>0.768</referenceBasePrice>
            </price>
            <ampp>
              <startDate>2012-10-01+02:00</startDate>
              <amppID>34017</amppID>
              <name>Dedrogyl dr 10ml 0,15mg/ml</name>
              <contentQuantity>10.0</contentQuantity>
              <contentUnit>ml</contentUnit>
              <treatmentDurationCatCv>04</treatmentDurationCatCv>
              <contentMultiplier>1</contentMultiplier>
              <totalPackSizeValue>1.0</totalPackSizeValue>
              <socsecReimbCv>b4</socsecReimbCv>
              <distributorId>461</distributorId>
              <cheapest>Y</cheapest>
            </ampp>
          </reimbursement>
          <reimbursement>
            <startDate>2012-10-01+02:00</startDate>
            <deliveryEnvironment>H</deliveryEnvironment>
            <referenceBaseInd>>false</referenceBaseInd>
            <price>
              <startDate>2012-10-01+02:00</startDate>
              <priceAmnt>0.631</priceAmnt>
              <reimbBasePrice>0.0</reimbBasePrice>
              <referenceBasePrice>0.631</referenceBasePrice>
            </price>
            <ampp>
              <startDate>2012-10-01+02:00</startDate>

```

```

        <amppID>34017</amppID>
        <name>Dedrogy1 dr 10ml 0,15mg/ml</name>
        <contentQuantity>10.0</contentQuantity>
        <contentUnit>ml</contentUnit>
        <treatmentDurationCatCv>04</treatmentDurationCatCv>
        <contentMultiplier>1</contentMultiplier>
        <totalPackSizeValue>1.0</totalPackSizeValue>
        <socsecReimbCv>b4</socsecReimbCv>
        <distributorId>461</distributorId>
        <cheapest>Y</cheapest>
    </ampp>
</reimbursement>
<reimbursement>
    <startDate>2012-09-01+02:00</startDate>
    <deliveryEnvironment>P</deliveryEnvironment>
    <referenceBaseInd>>false</referenceBaseInd>
    <price>
        <startDate>2012-09-01+02:00</startDate>
        <priceAmnt>11.93</priceAmnt>
        <reimbBasePrice>0.0</reimbBasePrice>
        <referenceBasePrice>11.93</referenceBasePrice>
    </price>
    <ampp>
        <startDate>2012-10-01+02:00</startDate>
        <amppID>34017</amppID>
        <name>Dedrogy1 dr 10ml 0,15mg/ml</name>
        <contentQuantity>10.0</contentQuantity>
        <contentUnit>ml</contentUnit>
        <treatmentDurationCatCv>04</treatmentDurationCatCv>
        <contentMultiplier>1</contentMultiplier>
        <totalPackSizeValue>1.0</totalPackSizeValue>
        <socsecReimbCv>b4</socsecReimbCv>
        <distributorId>461</distributorId>
        <cheapest>Y</cheapest>
    </ampp>
    <copaymentList>
        <copayment>
            <startDate>2012-09-01+02:00</startDate>
            <regimeType>2</regimeType>
            <copayAmnt>1.58</copayAmnt>
            <solidFlatRateAmnt>0.0</solidFlatRateAmnt>
        </copayment>
        <copayment>
            <startDate>2012-09-01+02:00</startDate>
            <regimeType>1</regimeType>
            <copayAmnt>1.58</copayAmnt>
            <solidFlatRateAmnt>0.0</solidFlatRateAmnt>
        </copayment>
    </copaymentList>
</reimbursement>
</reimbursementList>
</therapy>
</therapyList>
</paragraph>
</paragraphList>
</ns4:FindReimbursementConditionsResponse>
</S:Body>
</S:Envelope>

```

### 3.6.3. Error messages

The following events give a Soap Fault:

Error message	Error cases
<b>No data found.</b>	<ul style="list-style-type: none"> <li>- a paragraph name doesn't exist</li> <li>- paragraph name and chapter name are not compatible</li> <li>- a chapter name is introduced without a paragraph name</li> <li>- a paragraph name is introduced without a chapter name</li> <li>- the CNK number doesn't exist</li> </ul>
<b>Invalid start date.</b>	Date format is invalid
<b>The language can not be null.</b>	No language choice is introduced
<b>The input date and/or the paragraph version must be null.</b>	Both start date and version number are introduced
<b>The chapter name must be null.</b>	Both chapter name and CNK are introduced
<b>The paragraph name must be null.</b>	Both paragraph name and CNK are introduced

## 3.7 Find medicinal product package information based on a product name: 'FindCNK'

This webservice returns the CNK number(s), i.e. the unique identifier(s) of a medicinal package, based on a product name or part of the product name. **The service will only return 'Chapter IV' CNK Numbers.**

### 3.7.1. Input data: FindCNKRequest

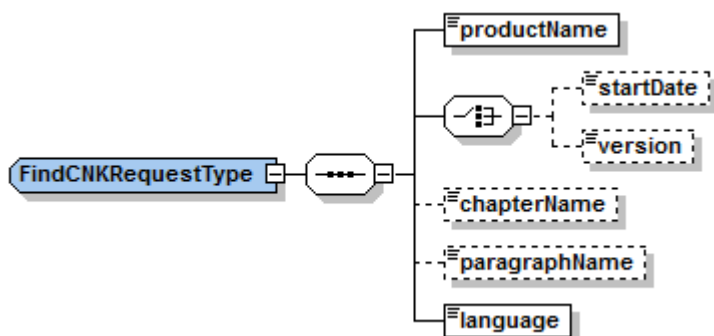


Figure 23 : FindCNKRequest - Input data

Field name	Description
<b>productName</b>	Mandatory - Partial or complete string referring to a medicinal product to be retrieved. No empty strings are allowed. Numbers should be allowed since at least 1 specialty starts with a number. In order to avoid massive result data, at least 3 characters have to be present. Example: 'PERSANTINE' or 'PER'
<b>startDate</b>	Optional - The date starting from which information should be retrieved. If a date is introduced, no version can be given. Format: YYYY-MM-DD Examples: '2012-12-01'; '2013-03-31'
<b>version</b>	Optional - The version number. If a version number is introduced, no input date can be given. Version cannot be used as a criteria when chapterName and paragraphName are empty. Example: '1', '2',...
<b>chapterName</b>	Optional - The name of the chapter involved in the reimbursement conditions of medicines as stated in the royal decree of 21 December 2001 and the royal decrees modifying this one. Example: 'IV'
<b>paragraphName</b>	Optional - The name of the paragraph or the subparagraph, which for the presumed chapters, is limited to an identification number, the last 4 numbers representing variations within the same subject. Examples: '30200'; '290000'
<b>Language</b>	Mandatory - The language in which the returned information is expected. The legislation text itself however is always returned in both languages. Possible values : 'fr', 'FR', 'Fr', 'nl', 'NL', 'NI' (case sensitive)

#### Notices :

This webservice retrieves the actual medicinal product package name, which consists of the name, strength, administration form and quantity, and the CNK number for a given string representing the name of the product.

- Product Name and language are the only mandatory input data for this webservice. Start date and version are optional, but only one can be introduced at a time.

- Chapter name and Paragraph name are optional, however, if both are introduced as well, the returned information will be limited to this specific chapter + paragraph.
- Chapter name and paragraph name have to be coherent, i.e. the paragraph name must exist for given chapter.
- Chapter will initially be 'IV' but will eventually extend to other chapters.
- Input date and version are optional and mutually exclusive: they should not be introduced both at the same time.
  - If neither a date nor a version or an invalid YYYY-MM-DD is introduced, the most recent available data will be returned.
  - If an input date is introduced, information will be fetched which is/was valid for this date. The input date must be smaller than or equal to the current date. The retrieved data have a start date smaller than or equal to the introduced date, and an optional end date greater than or equal to the introduced date.
  - If a version number is introduced for a paragraph, data will be fetched for the requested version only.

### 3.7.2. Output data: FindCNKResponse

paragraphName and chapterName will only be available if these were given as input criteria.

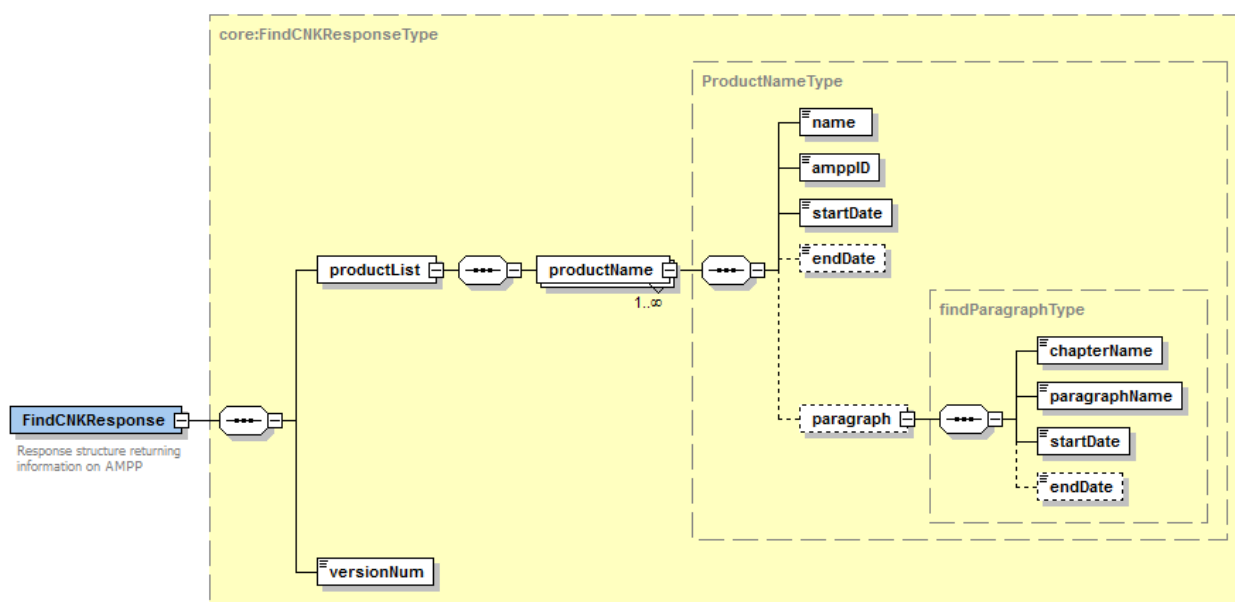


Figure 24 : FindCNKResponse - Output paragraph related data

Field name	Description
<b>productName</b>	Mandatory - Medicinal product.
<b>versionNum</b>	Version i.e. database version (VERSION_NUM in table SPHERE_VERSION)

Field name	Description
<b>name</b>	Mandatory - Medicinal product. Complete product name of the returned AMPP.
<b>amppID</b>	Mandatory - Actual Medicinal Product Package code value. It is identical to the 7-digit CNK code but contains no leading zeroes.
<b>startDate</b>	Mandatory - The date starting the validity period of the returned CNK. Format: YYYY-MM-DD Examples: '2013-01-01'

<b>endDate</b>	Optional - The date ending the validity period of the returned CNK. Format: YYYY-MM-DD Examples: '2013-01-01'
<b>paragraph</b>	Mandatory - paragraphs where the product is mentioned.

**Notices :**

- The input product name is related to the actual medicinal product package name : it consists of the name, strength, administration form and quantity of a CNK number. It can be specified for what chapter and paragraph the search is performed.
- If only a search string is introduced, all products matching this string will be returned, as well as all paragraphs + chapter(s) they figure in.
- If a paragraph and chapter are specified, only the products matching the string and appearing in this particular chapter & paragraph will be returned.

The output consists of a list of one or more products with :

- this Product List is optional since no output can be guaranteed for any given input of three characters,
- the Product List contains one or more Product Names.
  - Product Name = SHORT\_TEXT in table NAME\_TRANSLATION for the NAME\_ID which corresponds to the listed AMPP\_ID.
  - The name is returned in the requested language : [NAME\_TRANSLATION]LANGUAGE\_CV = 'nl' or 'fr'



### 3.7.3. Error messages

The following events give a Soap Fault:

Error message	Error cases
<b>No data found.</b>	<ul style="list-style-type: none"><li>- a product name doesn't exist</li><li>- a paragraph name or chapter doesn't exist</li><li>- paragraph name and chapter name are not compatible</li><li>- no result is found</li></ul>
<b>Invalid start date.</b>	Date format is invalid
<b>The language can not be null.</b>	No language choice is introduced
<b>The input date and/or the paragraph version must be null.</b>	Both start date and version number are introduced
<b>The chapter and paragraph can not be empty if version is present.</b>	Version cannot be used as a criteria when chapterName and paragraphName are empty.

### 3.8 Find paragraph for a CNK: 'FindParagraph'

This webservice returns the chapter & paragraph name for a given CNK. It is a simplified version of 'FindReimbursementConditions'.

#### 3.8.1. Input data: FindParagraphRequest

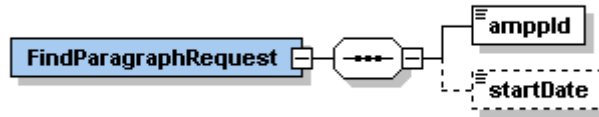


Figure 25 : FindParagraphRequest - Input data

Field name	Description
<b>amppld</b>	Mandatory - Actual Medicinal Product Package code value. It is identical to the 7-digit CNK code but contains no leading zeroes. If a CNK is introduced, <b>chapterName</b> and <b>paragraphName</b> can't be given. Example: '1686559'
<b>startDate</b>	Optional - The date starting from which information should be retrieved. If a date is introduced, no version can be given. Format: YYYY-MM-DD Examples: '2012-12-01'; '2013-05-01'

**Notices :**

Start date is optional :

- if no date or an invalid YYYY-MM-DD is introduced, the most recent available data will be returned.
- if an input date is introduced, information will be fetched which is/was valid for this date. The input date must be smaller than or equal to the current date. The retrieved data have a start date smaller than or equal to the introduced date.

#### 3.8.2. Output data: FindParagraphResponse

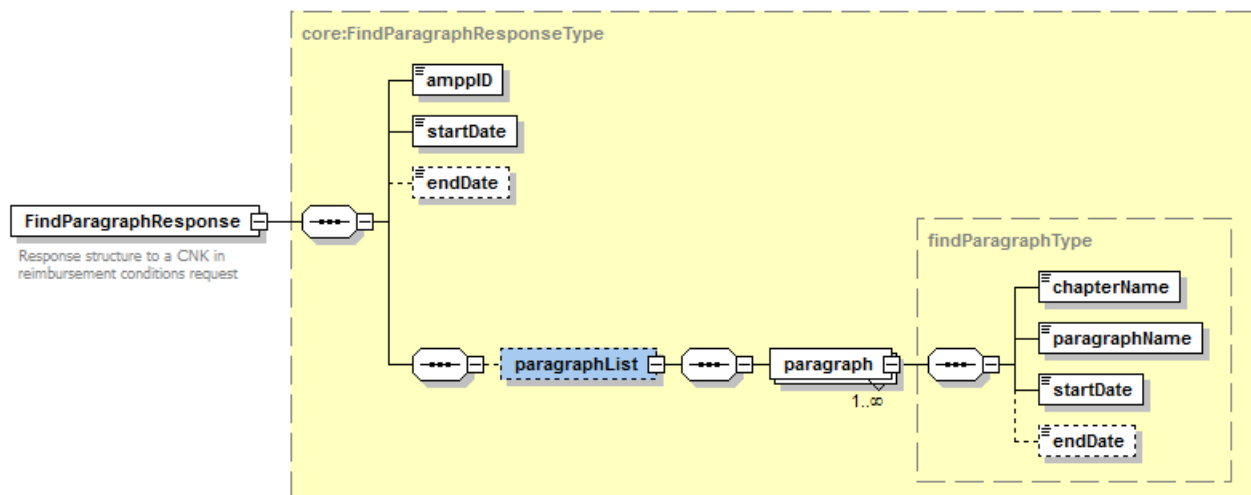


Figure 26 : FindParagraphResponse - Output data

Field name	Description
------------	-------------

<b>amppID</b>	Mandatory - Actual Medicinal Product Package code value. It is identical to the 7-digit CNK code but contains no leading zeroes.
<b>startDate</b>	Mandatory - The date starting the validity period of the Actual Medicinal Product Package Format: YYYY-MM-DD Examples: '2013-01-01'
<b>endDate</b>	Optional - The date ending the Actual Medicinal Product Package Format: YYYY-MM-DD Examples: '2013-01-31'
<b>paragraphList</b>	Optional - One or more paragraphs if present

**Figure 27 : FindParagraphResponse - Output data**

Field name	Description
<b>chapterName</b>	Mandatory - The name of the returned chapter. Example: 'IV'
<b>ParagraphName</b>	Mandatory - The name of the paragraph or the subparagraph, which for the presumed chapters, is limited to an identification number, the last 4 numbers representing variations within the same subject. Examples: '30200'; '290000'
<b>startDate</b>	Mandatory - The date starting the validity period of the returned paragraph. Format: YYYY-MM-DD Examples: '2013-01-01'
<b>endDate</b>	Optional - The date ending the validity period of the returned paragraph. This field doesn't appear in the response if the returned period corresponds to the current version. Format: YYYY-MM-DD Examples: '2013-01-31'

**Notices :**

- A CNK number can occur in multiple paragraphs, even with a specified start date or version, in which case the output will contain all paragraphs involved.
- Note that the database only contains Chapter IV legislation ; not all medical products in SAM are reimbursed.

**Example :**

**Request :**

```
<soapenv:Envelope xmlns:soapenv="http://schemas.xmlsoap.org/soap/envelope/"
xmlns:urn="urn:be:fgov:ehhealth:samcivics:schemas:v1">
  <soapenv:Header/>
  <soapenv:Body>
    <urn:FindParagraphRequest>
      <amppId>11627</amppId>
      <startDate>2012-09-02</startDate>
    </urn:FindParagraphRequest>
  </soapenv:Body>
</soapenv:Envelope>
```

**Response :**

```
<S:Envelope xmlns:S="http://schemas.xmlsoap.org/soap/envelope/">
  <S:Body>
```

```

<ns4:FindParagraphResponse xmlns:ns4="urn:be:fgov:health:samcivics:schemas:v1"
xmlns:ns3="urn:be:fgov:health:errors:service:v1">
  <amppID>613182</amppID>
  <startDate>2012-09-01+02:00</startDate>
  <endDate>2012-09-30+02:00</endDate>
  <paragraphList>
    <paragraph>
      <chapterName>I</chapterName>
      <paragraphName>0</paragraphName>
      <startDate>2012-09-01+02:00</startDate>
      <endDate>2012-09-30+02:00</endDate>
    </paragraph>
    <paragraph>
      <chapterName>IV</chapterName>
      <paragraphName>1340100</paragraphName>
      <startDate>2012-09-01+02:00</startDate>
      <endDate>2012-09-30+02:00</endDate>
    </paragraph>
    <paragraph>
      <chapterName>IV</chapterName>
      <paragraphName>1340200</paragraphName>
      <startDate>2012-09-01+02:00</startDate>
      <endDate>2012-09-30+02:00</endDate>
    </paragraph>
  </paragraphList>
</ns4:FindParagraphResponse>
</S:Body>
</S:Envelope>

```

### 3.8.3. Error messages

The following events give a Soap Fault:

Error message	Error cases
<b>No data found.</b>	<ul style="list-style-type: none"> <li>- a CNK doesn't exist</li> <li>- a CNK is not reimbursed in a Chapter IV paragraph</li> <li>- a CNK is not reimbursed for a specified version or start date</li> </ul>
<b>Invalid start date.</b>	Date format is invalid
<b>The name must contain at least 2 characters.</b>	The name you introduced must contain at least 2 characters.