



**RNConsult - PersonNotificationService
Cookbook
Version 1.2**

This document is provided to you, free of charge, by the

eHealth platform

**Willebroekkaai 38 – 1000 Brussel
38, Quai de Willebroeck – 1000 Bruxelles**

All are free to circulate this document with reference to the URL source.

Table of contents

Table of contents	2
1. Document management	4
1.1 Document history	4
2. Introduction	5
2.1 Goal of the service	5
2.2 Goal of the document	5
2.3 External document references	5
3. Support	6
3.1.1 Certificates	6
3.1.2 For issues in production	6
3.1.3 For issues in acceptance	6
3.1.4 For business issues	6
3.2 Status	6
3.3 Authorization from sectoral committee	6
4. Global overview	7
5. Requirements	8
5.1 WS-I Basic Profile 1.1	8
5.2 Tracing	8
6. Description of xml messages	9
6.1 GetNotification	9
6.1.1 Request	9
6.1.2 Response	10
6.2 AckNotification	11
6.2.1 Request	11
6.2.2 Response	12
6.3 Generic structure	13
6.3.1 CancelationNotificationType	13
6.3.2 PersonReplacementNotificationType	14
6.3.3 PersonUpdateNotificationType	15
6.3.4 NotificationInformationType	15
6.3.5 MutationEventType	16
6.3.6 PersonResponseType	17
6.3.7 Nobility title	19
6.3.8 Name	20
6.3.9 Nationalities	20
6.3.10 Birth	21
6.3.11 Decease	21
6.3.12 Gender	21
6.3.13 CivilStates	22
6.3.14 Address	23
	2



6.3.15	ResidentialAddress/ReferenceAddress	24
6.3.16	DiplomaticAddress/PostAddress/TemporaryAddress	25
6.3.17	DiplomaticPost	26
6.3.18	ContactAddress	27
6.3.19	Administrator	29
6.3.20	Subregister.....	29
6.3.21	LocationType	30
6.3.22	PartnerType	31
6.3.23	JudgmentType	31
6.3.24	TranscriptionType.....	32
6.3.25	ActType.....	32
6.3.26	Anomalies	32
7.	Status.....	34
7.1	Success response.....	34
7.2	Business errors.....	34
7.3	Technical errors.....	36
8.	Risks and security.....	38
8.1	Risks & safety	38
8.2	Security	38
8.2.1	Business security	38
8.2.2	Web service	38
8.2.3	The use of username, password and token.....	38
9.	Test and release procedure.....	39
9.1	Procedure.....	39
9.1.1	Initiation	39
9.1.2	Development and test procedure	39
9.1.3	Release procedure.....	39
9.1.4	Operational follow-up	39
10.	Example	40
10.1	GetNotification.....	40
10.1.1	Request.....	40
10.1.2	Success response	40
10.1.3	Business error response	45
10.1.4	Technical error response	45
10.2	AckNotification.....	46
10.2.1	Request.....	46
10.2.2	Success response	46
10.2.3	Business error response	46
10.2.4	Technical error response	47

To the attention of: "IT expert" willing to integrate this web service.



1. Document management

1.1 Document history

Version	Date	Author	Description of changes / remarks
1.0	25/09/2020	eHealth platform	Initial version
1.1	23/04/2021	eHealth platform	§5.1 WS-I Org and §5.2 Tracing
1.2	20/07/2022	eHealth platform	§ 5.2 Tracing (updated) § 3.2 Status (added)

2. Introduction

2.1 Goal of the service

The service *PersonNotificationService* allows retrieving mutations. The eHealth-platform daily receives a list of personal data coming from the National register and the BIS registry as a result of one or more modifications made to these data (for example: change of SSIN, change of address, ...). These personal data (including SSIN, address ...) are what we call mutations.

In order to use the web service *PersonNotificationService*, you should also consult the *inscriptionService* cookbook. This web service is used to subscribe a person (patient) to the “mutation of the national register’s subscription” of your organisation.

2.2 Goal of the document

This document is not a development or programming guide for internal applications. Instead, it provides functional and technical information and allows an organization to integrate and use the eHealth platform service.

However, in order to interact in a smooth, homogeneous and risk controlled way with a maximum of partners, these partners must commit to comply with the requirements of specifications, data format and release processes of the eHealth platform as described in this document.

Technical and business requirements must be met in order to allow the integration and validation of the eHealth platform service in the client application.

2.3 External document references

All documents can be found through the internet. They are available to the public, but not supported by the eHealth platform.

ID	Title	Source	Date	Author
1	Basic Profile Version 1.1	http://www.ws-i.org/Profiles/BasicProfile-1.1-2004-08-24.html	24/08/2004	Web Services Interoperability Organization

3. Support

3.1 Helpdesk eHealth platform

3.1.1 Certificates

In order to access the secured eHealth platform environment you have to obtain an eHealth platform certificate, used to identify the initiator of the request. In case you do not have one, please consult the chapter about the eHealth Certificates on the portal of the eHealth platform

- <https://www.ehealth.fgov.be/ehealthplatform/nl/ehealth-certificaten>
- <https://www.ehealth.fgov.be/ehealthplatform/fr/certificats-ehealth>

For technical issues regarding eHealth platform certificates

- Acceptance: acceptance-certificates@ehealth.fgov.be
- Production: support@ehealth.fgov.be

3.1.2 For issues in production

eHealth platform contact centre:

- Phone: 02 788 51 55 (on working days from 7 am till 8 pm)
- Mail: support@ehealth.fgov.be
- Contact Form :
 - <https://www.ehealth.fgov.be/ehealthplatform/nl/contact> (Dutch)
 - <https://www.ehealth.fgov.be/ehealthplatform/fr/contact> (French)

3.1.3 For issues in acceptance

Integration-support@ehealth.fgov.be

3.1.4 For business issues

- regarding an existing project: the project manager in charge of the application or service
- regarding a new project or other business issues: info@ehealth.fgov.be

3.2 Status

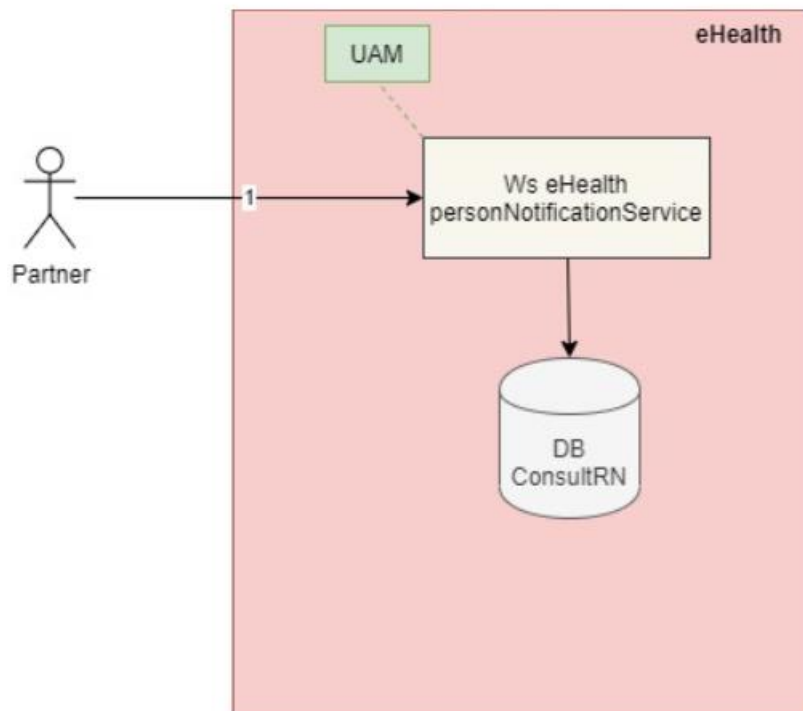
The website <https://status.ehealth.fgov.be> is the monitoring and information tool for the ICT functioning of the eHealth services that are partners of the Belgian eHealth system.

3.3 Authorization from sectoral committee

For RNConsult, an authorization from the sectoral committee is required. Following this authorization, you will receive an applicationID used to access with specific right to this service.



4. Global overview



- 1) The institution (identified by a CBE number, INAMI or EHP number) authenticates via their software to the eHealth platform and sends a request to the eHealth PersonNotificationService service.

To be able to access the service, the eHealth platform performs several checks:

- the authentication of the applicant via their eHealth certificate
 - whether the applicationID is well configured in the RNConsult database and to the organization
- 2) Once the verification has been performed, the request is sent to PersonInfoGroupService service.
 - 3) This service returns the existing notifications to the institutions.

5. Requirements

The call to the service *PersonNotificationService* is subject to several conditions:

- An authorization of the sectoral committee and the compliance with the integration procedure. By applying this procedure, the eHealth platform will provide you with your **applicationID**, is used by the eHealth platform to grant specific rights.
- An eHealth certificate, used to identify the initiator of the request. If you do not have one, please refer to the section “Basisdiensten” (NL) or “Services de base” (F) on the portal of the eHealth platform at <https://www.ehealth.fgov.be/ehealthplatform/>
- Time synchronisation: the servers of the eHealth platform are synchronized to a pool of global servers using NTP protocol. Partner’s clock cannot be offsetted by more than 60 seconds against eHealth’s or the request could be discarded.

5.1 WS-I Basic Profile 1.1

Your request must be WS-I compliant (See Chap 2.3 - External Document Ref).

5.2 Tracing

To use this service, the request SHOULD contain the following two http header values (see RFC <https://datatracker.ietf.org/doc/html/rfc7231#section-5.5.3>):

1. User-Agent: information identifying the software product and underlying technical stack/platform. It MUST include the minimal identification information of the software such that the emergency contact (see below) can uniquely identify the component.
 - a. Pattern: {minimal software information}/{version} {minimal connector information}/{connector-package-version}
 - b. Regular expression for each subset (separated by a space) of the pattern: `[[a-zA-Z0-9-\\]]*\\[[0-9azA-Z-_.]]*`
 - c. Examples:
User-Agent: myProduct/62.310.4 Technical/3.19.0
User-Agent: Topaz-XXXX/123.23.X freeconnector/XXXXX.XXX
2. From: email-address that can be used for emergency contact in case of an operational problem.
Examples:
From: info@mycompany.be

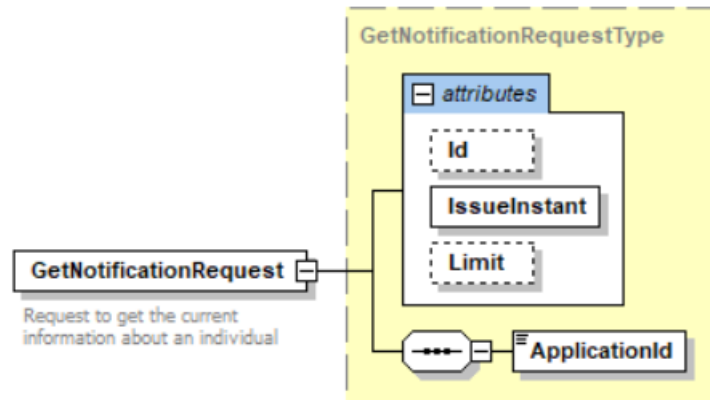


6. Description of xml messages

6.1 GetNotification

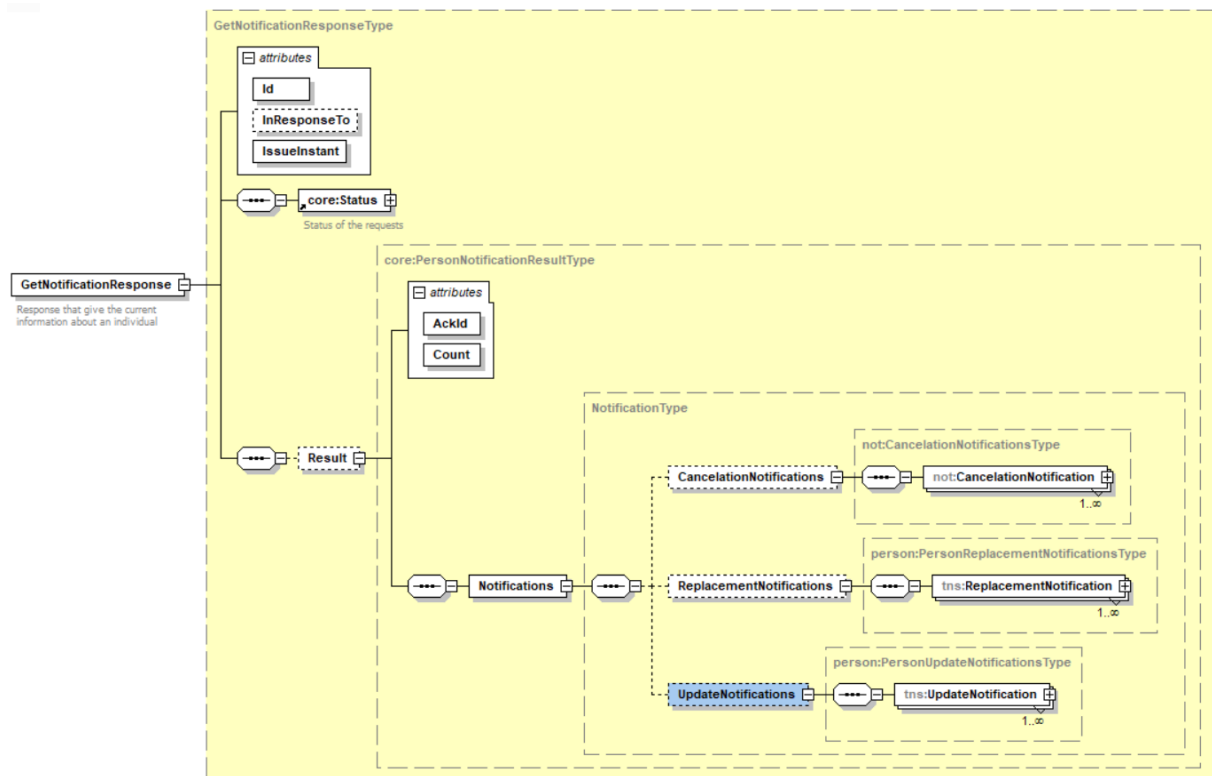
This method is used to get mutations about individuals.

6.1.1 Request



Field name	Description
@Id	This attribute contains the number identifying the request. Remark: this field is optional but we recommend adding an identifier to facilitate the follow-up in case of business/technical issue.
@issue Instant	This attribute contains the timestamp of the request.
@Limit	This attribute contains the number of maximum notifications to retrieve. If you do not specify this attribute, the default value will be set to 1000 notifications.
ApplicationID	The ApplicationID contains a number given by eHealth identifying the organization and the authorization given for a certain purpose to this organization (same format as an INSS)

6.1.2 Response



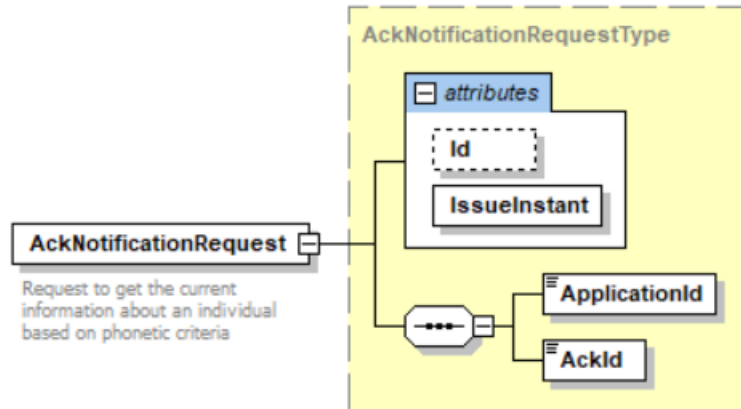
Field name	Description
@Id	This attribute contains the number identifying the response.
@InResponseTo	This attribute contains the number identifying the request.
@IssueInstant	This attribute contains the timestamp of the response.
Status	This block contains information about the status of the response returned (see section 7).
Result/AckId	This attribute contains the acknowledge identifier for the list of notifications received.
Result/Count	This attribute contains the total number of notifications received.
Result/Notifications/CancelationNotifications	This block contains the notifications for cancelled persons (see section 6.3.1).
Result/Notifications/ReplacementNotifications	This block contains the notifications for replaced persons (see section 6.3.2).
Result/Notifications/UpdateNotifications	This block contains the notification for updated persons (see section 6.3.3).

6.2 AckNotification

This method is used to acknowledge the list of mutations received.

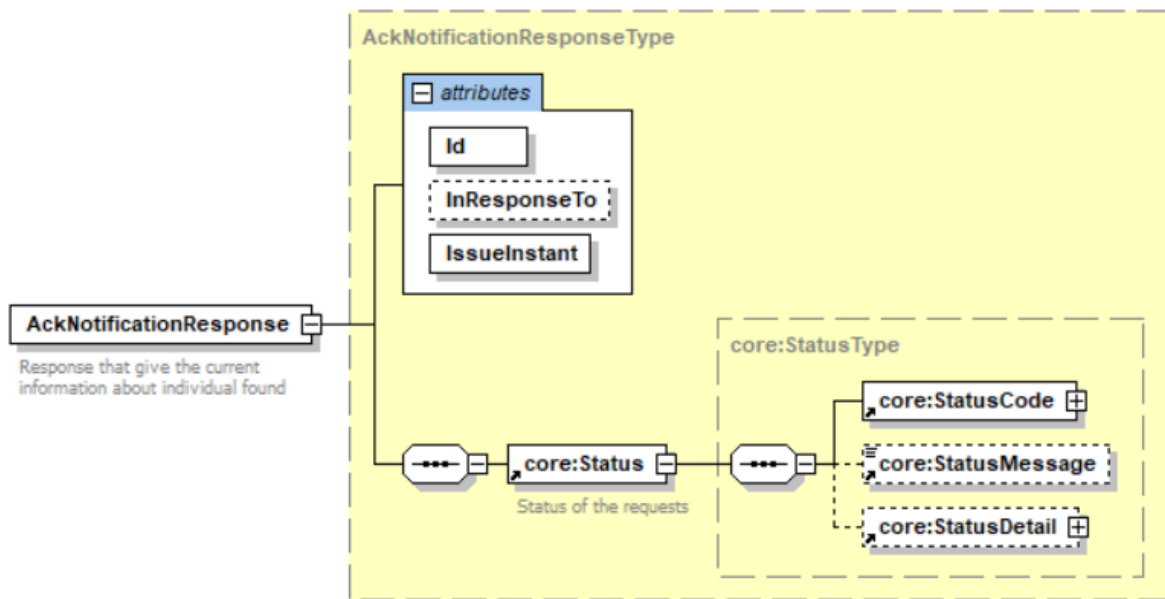
Remark: To be able to retrieve the next notifications, you must first acknowledge the current list of notifications received.

6.2.1 Request



Field name	Description
@Id	This attribute contains the number identifying the request. Remark: this field is optional but we recommend to add a identifier to facility the follow-up in case of business/technical issue.
@issue Instant	This attribute contains the timestamp of the request.
AckId	This attribute contains the acknowledge identifier for the list of notifications received.
ApplicationID	The ApplicationID contains a number given by eHealth identifying the organization and the authorization given for a certain purpose to this organization (same format as an INSS).

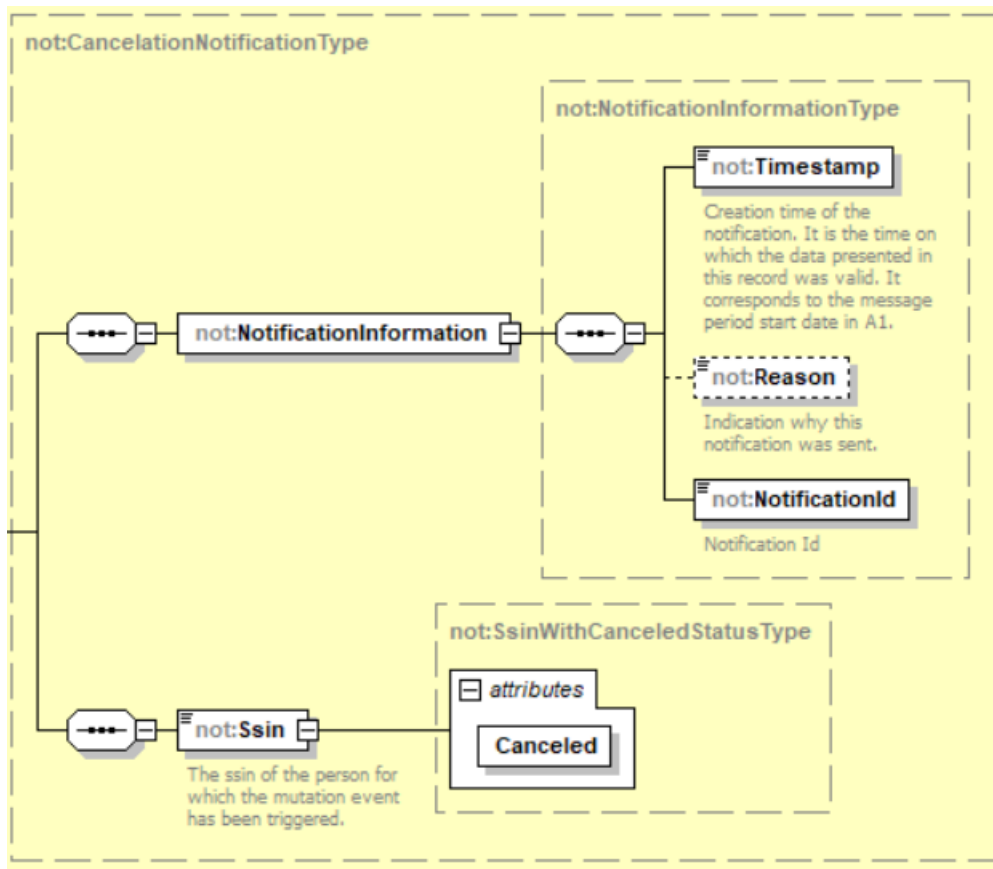
6.2.2 Response



Field name	Description
@Id	This attribute contains the number identifying the response.
@InResponseTo	This attribute contains the number identifying the request.
@IssueInstant	This attribute contains the timestamp of the response.
Status	This block contains information about the status of the response returned (see section 7).

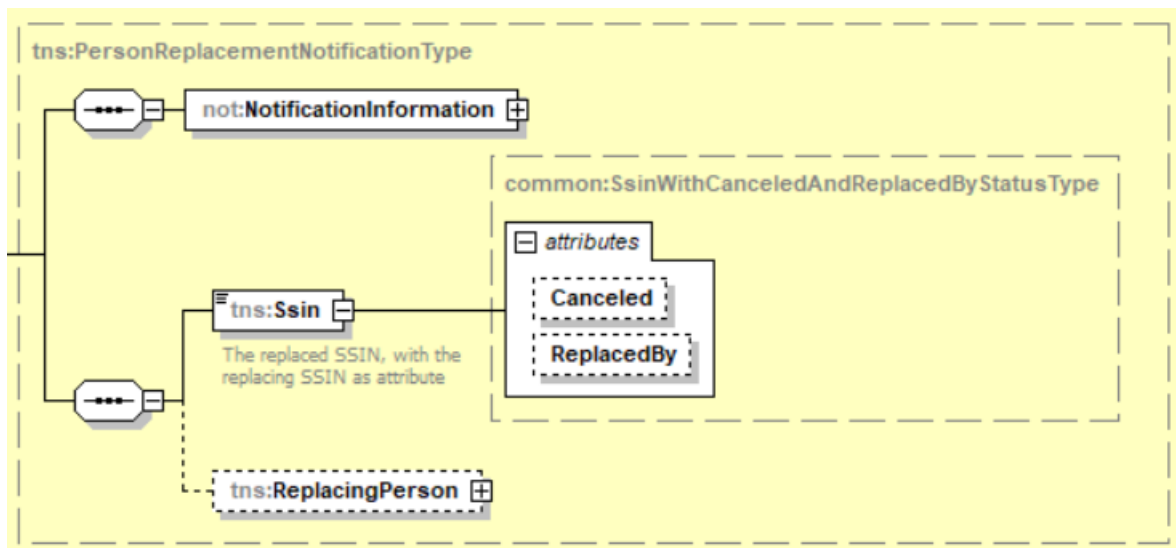
6.3 Generic structure

6.3.1 CancellationNotificationType



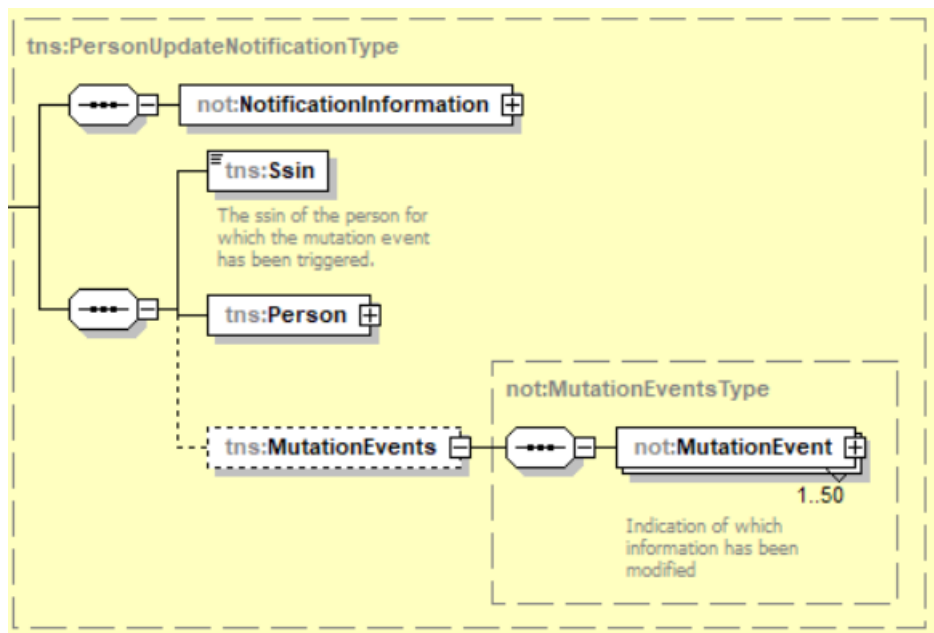
Field name	Description
NotificationInformation	This block contains Information about the notification (see section 6.3.4).
Ssin	This field contains the cancelled person INSS number.
Ssin/@Canceled	This attribute has the value "TRUE".

6.3.2 PersonReplacementNotificationType



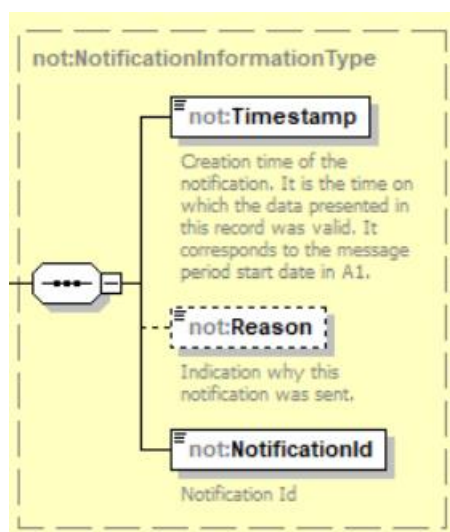
Field name	Description
NotificationInformation	This block contains Information about the notification (see section 6.3.4).
Ssin	This field contains the previous person INSS number.
Ssin/ReplacedBy	This attribute contains the current person INSS number.
Ssin/Canceled	This attribute has the value "TRUE" if the INSS number is cancelled. Otherwise, it has the value "FALSE".
ReplacingPerson	This block contains information about the current person (see section 6.3.6).

6.3.3 PersonUpdateNotificationType



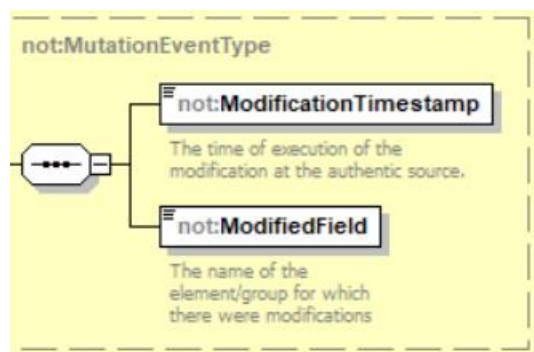
Field name	Description
NotificationInformation	This block contains Information about the notification (see section 6.3.4).
Ssin	This field contains the current person INSS number.
Person	This block contains information about the current person (see section 6.3.6).
MutationEvents/MutationEvent	This block contains indication about which person information has been modified (see section 6.3.5)

6.3.4 NotificationInformationType



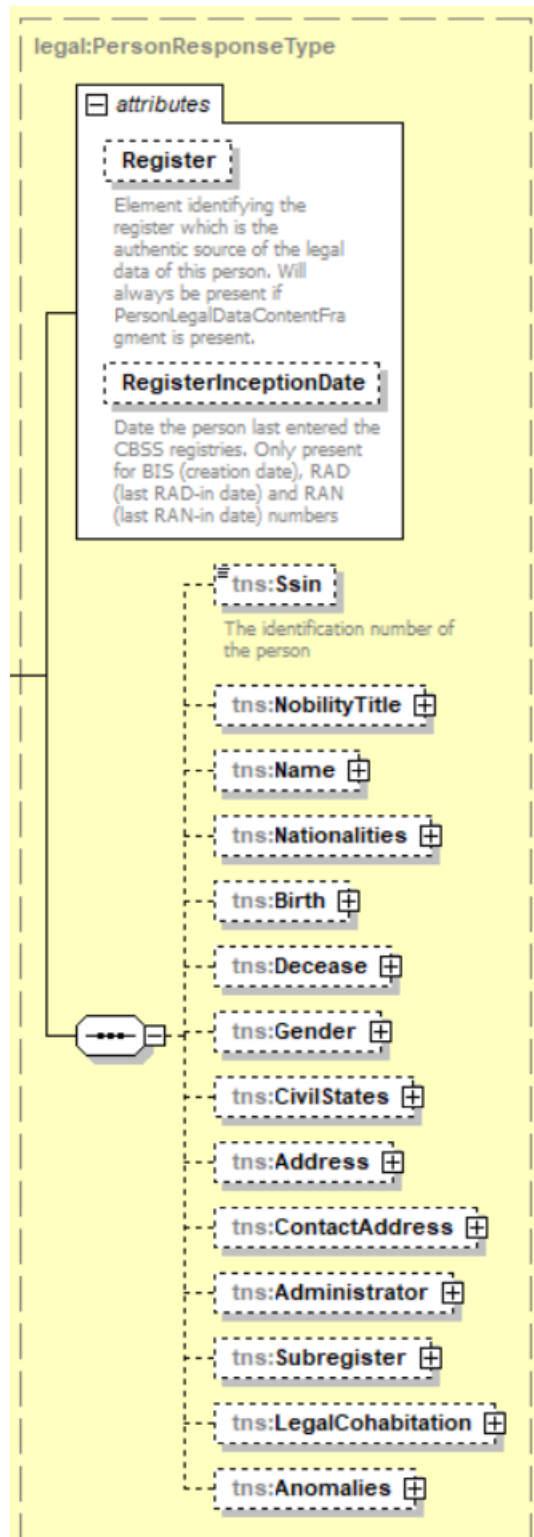
Field name	Description
Timestamp	This field contains the date and time of the creation of the notification.
Reason	This field contains the reason for sending the notification. We can have the following values: <ul style="list-style-type: none"> NEW_DOSSIER PERSON_MODIFIED SSIN_REPLACED SSIN_CANCELED SSIN_REPLACEMENT_REVERTED SSIN_CANCELLATION_REVERTED RADIATED UNRADIATED
NotificationId	This block contains the identifier of the notification

6.3.5 MutationEventType



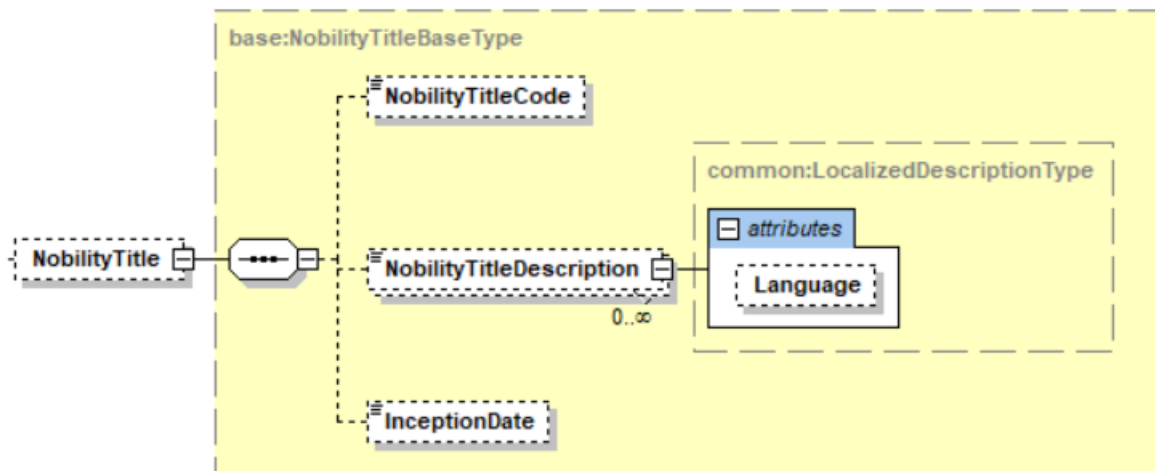
Field name	Description
ModificationTimestamp	This field contains the date and time when the element has been modified.
ModificationField	This field contains the name of the element for which there were modifications.

6.3.6 PersonResponseType



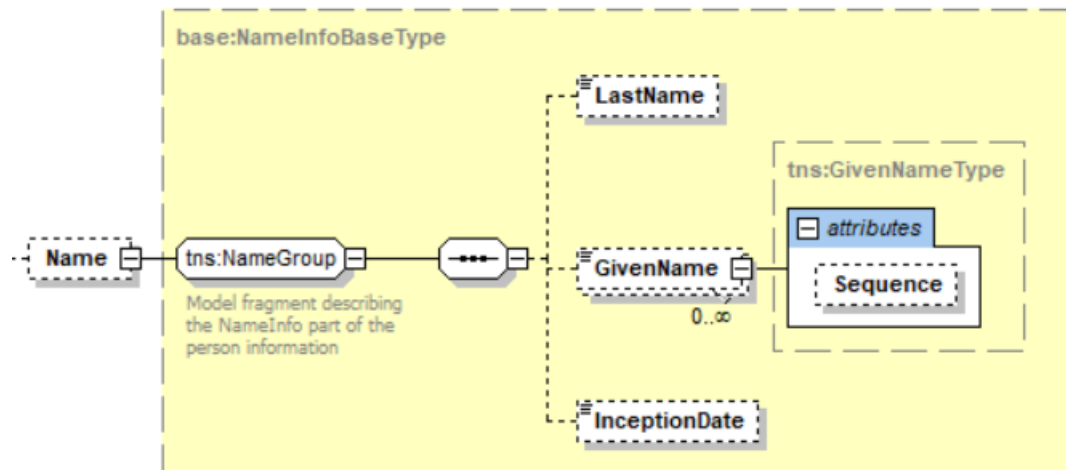
Field name	Description
@Register	This attribute contains the identifier of the registry which is the authentic source of the legal data of the person. Value are <ul style="list-style-type: none"> • 'RN' : National registry • 'RAD' : Radiated registry • 'BIS' : Bis registry • 'RAN' : Cancelled registry
@RegisterInceptionDate	This attribute contains the registration date in BCSS registry.
Ssin	This field contains the current person INSS number.
NobilityTitle	This field contains the nobility title (see section 6.3.7).
Name	This block contains information about last name, first names (see section 6.3.8).
Nationalities	This block contains information about nationalities (see section 6.3.9).
Birth	This block contains information about birth (see section 6.3.10).
Decease	This block contains information about decease (see section 6.3.11).
Gender	This block contains information about gender (see section 6.3.12).
CivilStates	This block contains information about civil state (see section 6.3.13).
Addresses	This block contains information about address (see section 6.3.14).
ContactAddresses	This block contains information about contact address (see section 6.3.18).
Administrator	This block contains information about data manager (municipality or country) (see section 6.3.19).
Subregister	This block contains information about sub-registry of National Registry (RN). Remark: This field is present when the person can be found in the national registry (see section 6.3.20).
Anomalies	This block contains information about data inconsistency returned by KSZ-BCSS (See section: 6.3.26).

6.3.7 Nobility title



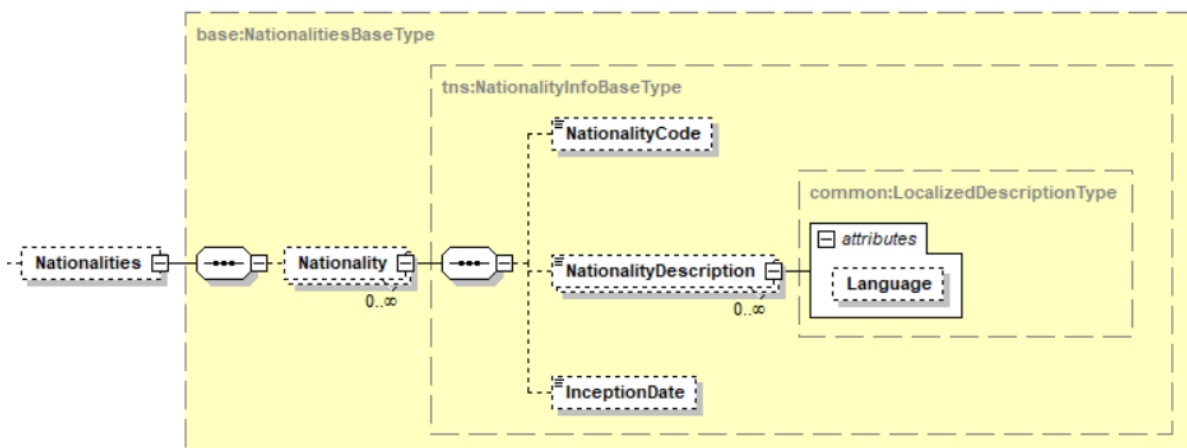
Field name	Description
NobilityTitleCode	This field contains the nobility title code.
NobilityTitleDescription[@language]	This field contains the nobility title description in different languages.
InceptionDate	This field contains the inception date of the information.

6.3.8 Name



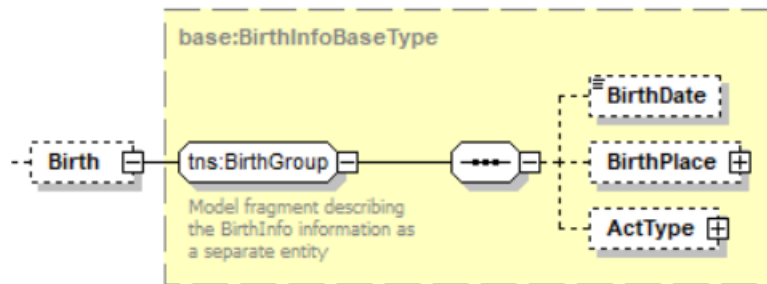
Field name	Description
Name/Lastname	This field contains the last name;
Name/GivenName[@sequence]	This field contains the first name and the middle names.
InceptionDate	This field contains the inception date of the information.

6.3.9 Nationalities



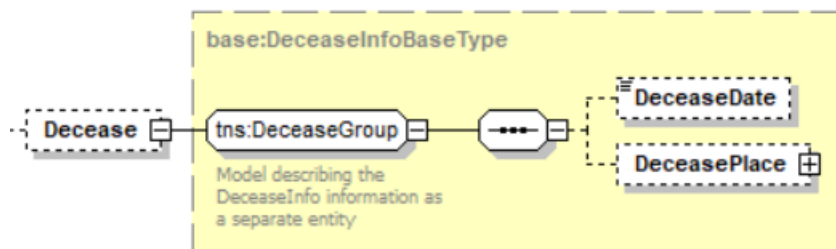
Field name	Description
NationalityCode	This field contains the INS nationality code.
NationalityDescription[@language]	This field contains the nationality description in different languages.
InceptionDate	This field contains the inception date of the information.

6.3.10 Birth



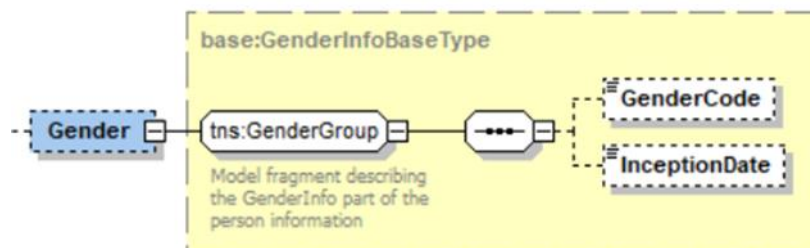
Field name	Description
Birthdate	This field contains the birth date.
Birthplace	This block contains the information about the birth place (see section 6.3.21).
ActType	This block contains the type of evidence (see section 6.3.25).

6.3.11 Decease



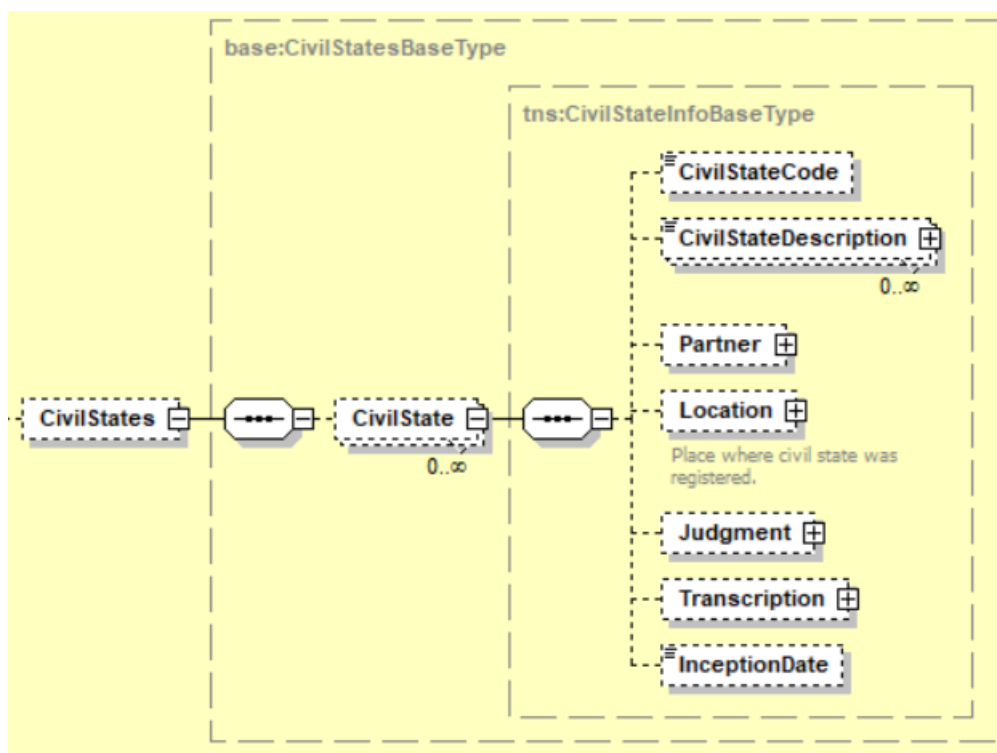
Field name	Description
DeceaseDate	This field contains the decease date.
DeceasePlace	This field contains the decease place (see section 6.3.21).

6.3.12 Gender



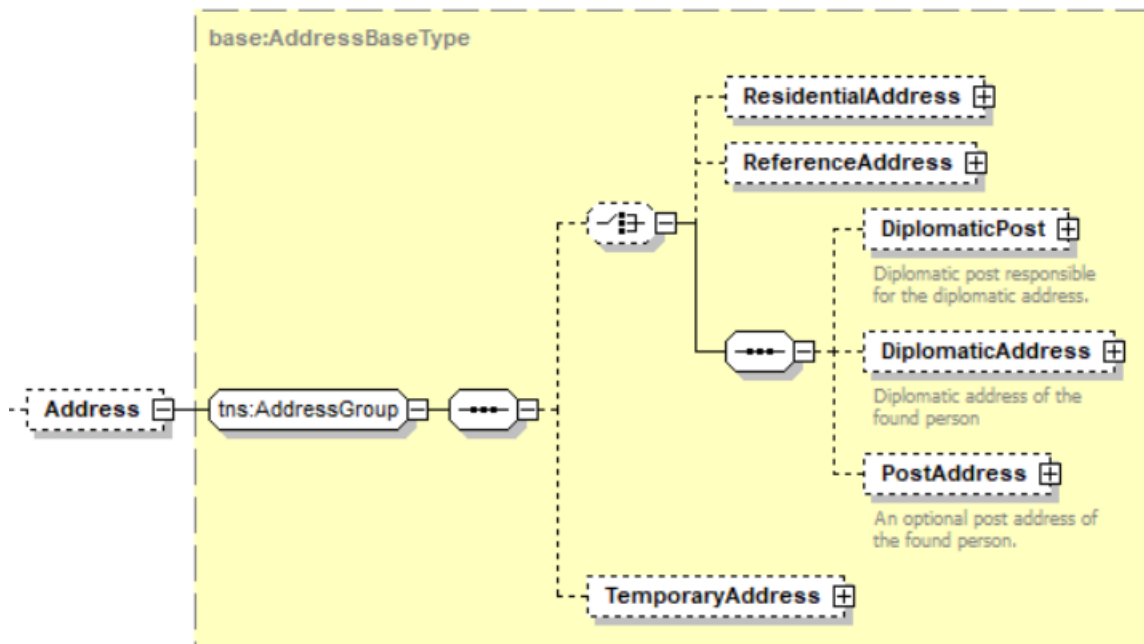
Field name	Description
GenderCode	This field contains the sex of the person. Values are: <ul style="list-style-type: none"> 'M': Male 'F': Female
InceptionDate	This field contains the inception date of the information.

6.3.13 CivilStates



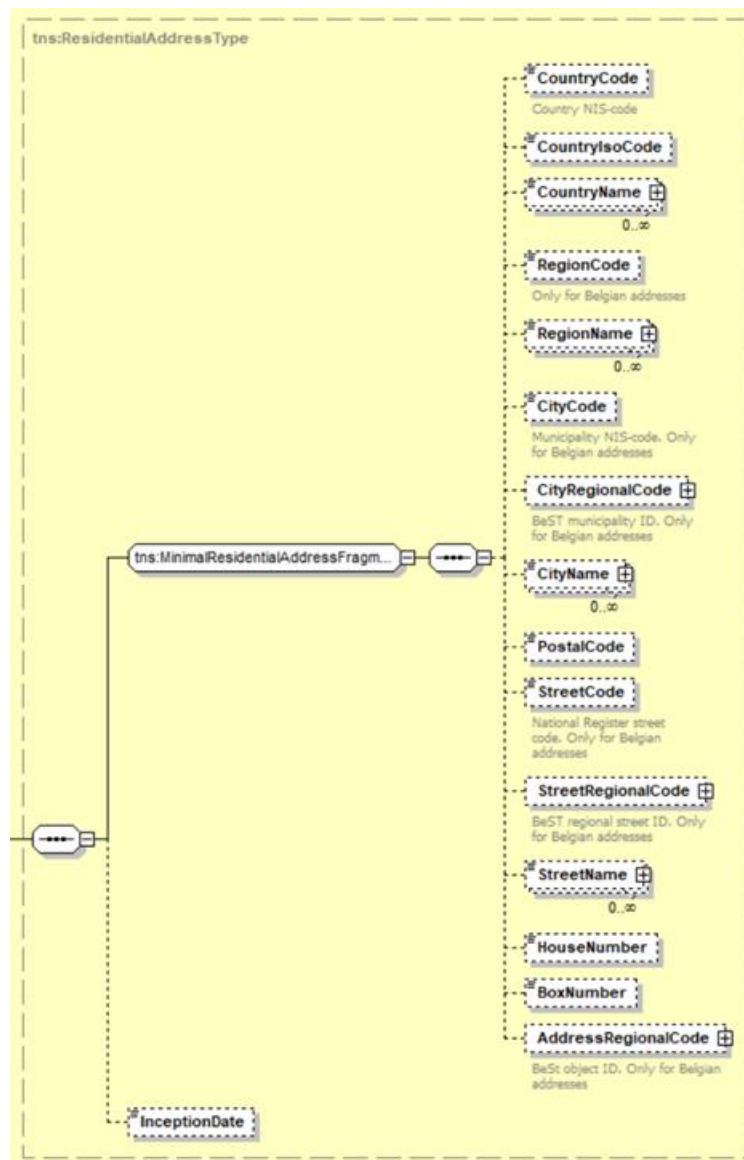
Field name	Description
CivilState/CivilstateCode	This field contains the civil state code.
CivilState/Partner	This block contains information about partner (marriage, divorce,...) (see section 6.3.22).
CivilState/Location	This block contains the place of the civil state (see section 6.3.21).
CivilState/Judgment	This block contains the data relating to judgment (see section 6.3.23).
CivilState/Transcription	This block contains the date relating to the transcription of judgment (see section 6.3.24).
CivilState/InceptionDate	This field contains the inception date of the information.

6.3.14 Address



Field name	Description
ResidentialAddress	This block contains the residential address in Belgium or Abroad (see section 6.3.15).
ReferenceAddress	This block contains the reference address in Belgium or Abroad (see section 6.3.15).
DiplomaticPost	This block contains the data of the diplomatic address where the address abroad has been registered (see section 6.3.17).
DiplomaticAddress	This block contains the address registered via the diplomatic post (see section 6.3.16).
PostAddress	This block contains the postal address provided for people residing abroad (see section: 6.3.16).
TemporaryAddress	This block contains the temporary address in Belgium or abroad (see section: 6.3.16).

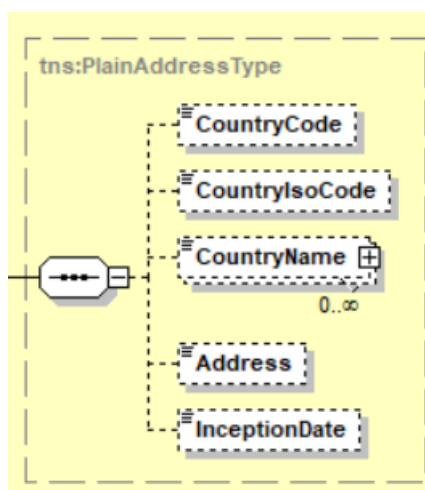
6.3.15 ResidentialAddress/ReferenceAddress



Field name	Description	Abroad	Belgian Current	Belgian BeST
CountryCode	Country code of the country (NIS code)	✓	150	150
CountryIsoCode	The 2-letter ISO code of the country (ISO 3166 alpha-2)	✓	✓	✓
CountryName	Country name	✓	✓	✓
RegionCode	Region code of the region			✓
RegionName	Region name			✓
CityCode	Municipality code (NIS code)		✓	

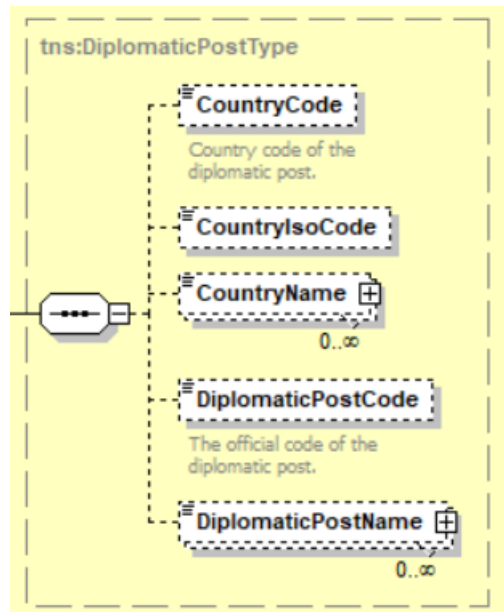
CityRegionalCode	Municipality name			✓
CityName	City name	✓	✓	✓
PostalCode	Postal code	✓	✓	✓
StreetCode	Street code		✓	
StreetRegionalCode	Street code assigned by National Register			✓
StreetName	Street name	✓	✓	✓
HouseNumber	House number	✓	✓	✓
BoxNumber	Box number	✓	✓	✓
AddressRegionalCode	Unique identification number of the address			✓
InceptionDate	Data inception date	✓	✓	✓

6.3.16 DiplomaticAddress/PostAddress/TemporaryAddress



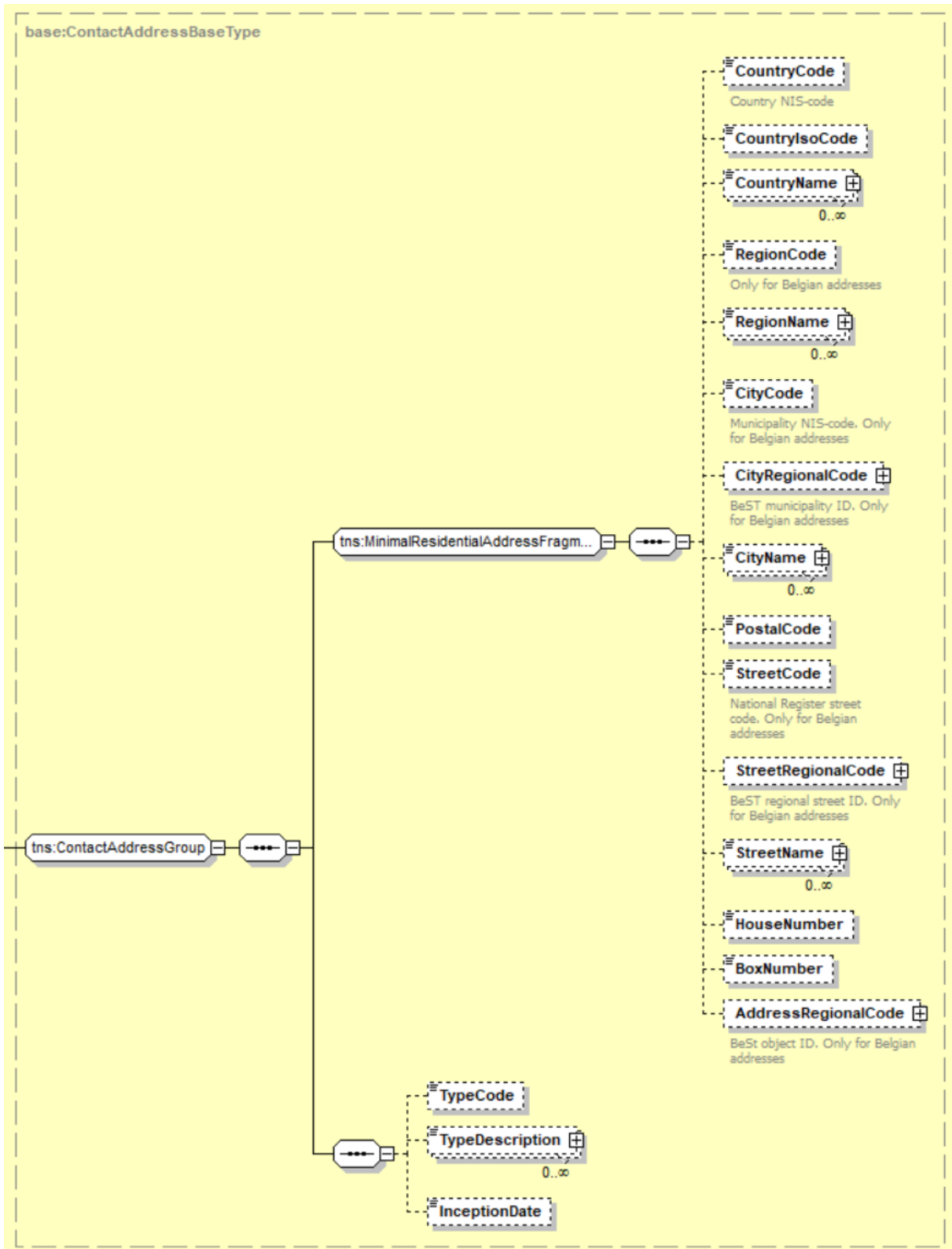
Field name	Description	Abroad	Belgian Current	Belgian BeST
CountryCode	Country code of the country (NIS code)	✓	150	150
CountryIsoCode	The 2-letter ISO code of the country (ISO 3166 alpha-2)	✓	✓	✓
CountryName	Country name	✓	✓	✓
Address(unstructured)	Address unstructured	✓	✓	✓
InceptionDate	Data inception date	✓	✓	✓

6.3.17 DiplomaticPost



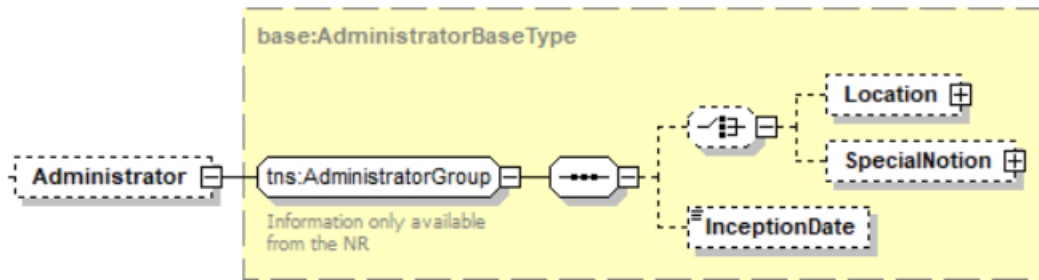
Field name	Description	Abroad	Belgian Current	Belgian BeST
countryCode	Country code of the country (NIS code)	✓	150	150
countryIsoCode	The 2-letter ISO code of the country (ISO 3166 alpha-2)	✓	✓	✓
countryName	Country name	✓	✓	✓
diplomaticPostCode	NIS diplomatic post code	✓	✓	✓
diplomaticPostName	Description diplomatic post code	✓	✓	✓

6.3.18 ContactAddress



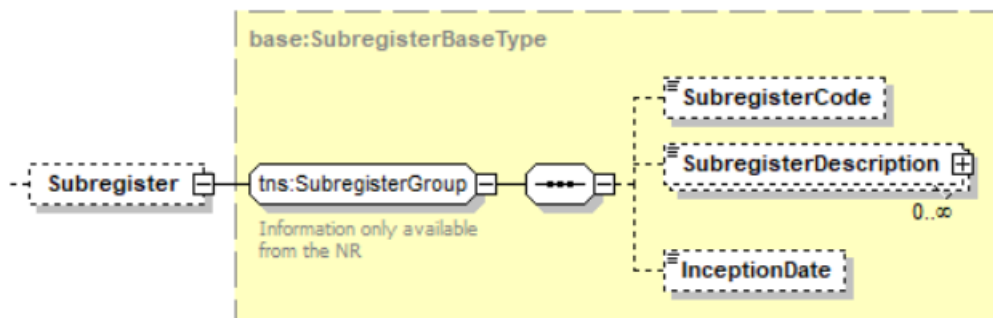
Field name	Description	Abroad	Belgian Current	Belgian BeST
CountryCode	Country code of the country (NIS code)	✓	150	150
CountryIsoCode	The 2-letter ISO code of the country (ISO 3166 alpha-2)	✓	✓	✓
CountryName	Country name	✓	✓	✓
RegionCode	Region code of the region			✓
RegionName	Region name			✓
CityCode	Municipality code (NIS code)		✓	
CityRegionalCode	Municipality name			✓
CityName	City name	✓	✓	✓
PostalCode	Postal code	✓	✓	✓
StreetCode	Street code		✓	
StreetRegionalCode	Street code assigned by National Register			✓
StreetName	Street name	✓	✓	✓
HouseNumber	House number	✓	✓	✓
BoxNumber	Box number	✓	✓	✓
AddressRegionalCode	Unique identification number of the address			✓
TypeCode	Type code contact address	N.A	N.A	N.A
TypeDescription	Type code description	N.A	N.A	N.A
InceptionDate	Data inception date	✓	✓	✓

6.3.19 Administrator



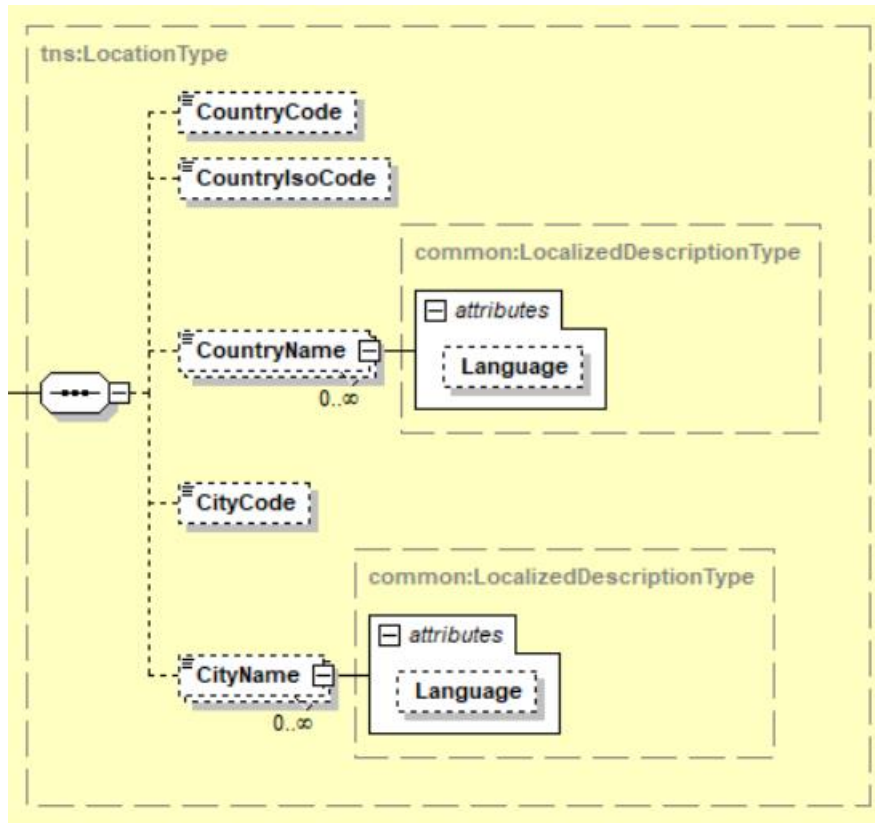
Field name	Description
Location	This block contains the municipality or country location (see section: 6.3.21).
SpecialNotion	This field contains a special code if it is not a "normal" manager. This is usually a code of radiation from the National Register.
InceptionDate	This field contains the inception date of the information.

6.3.20 Subregister



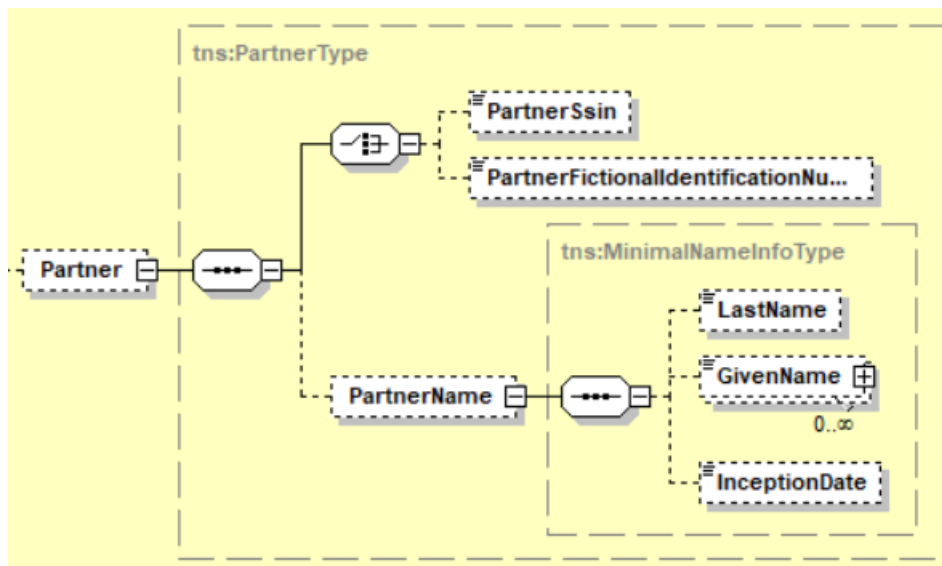
Field name	Description
SubregisterCode	This field contains the sub register code.
SubregisterDescription[@Language]	This field contains the Description of sub register in different languages.
InceptionDate	This field contains the inception date of the information.

6.3.21 LocationType



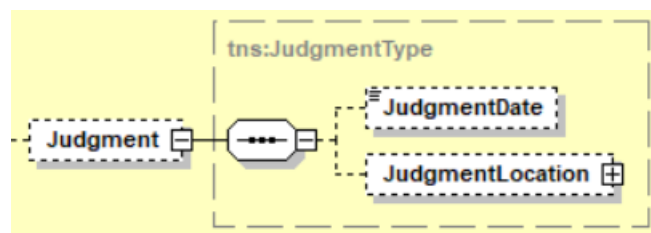
Field name	Description
CountryCode	This field contains the country code of the country (NIS code).
CountryIsoCode	This field contains the 2-letter ISO code of the country (ISO 3166 alpha-2).
CountryName[@Language]	This field contains the name of the country in different languages.
CityCode	This field contains the municipality code (NIS code).
CityName[@Language]	This field contains Municipality name in different languages.

6.3.22 PartnerType



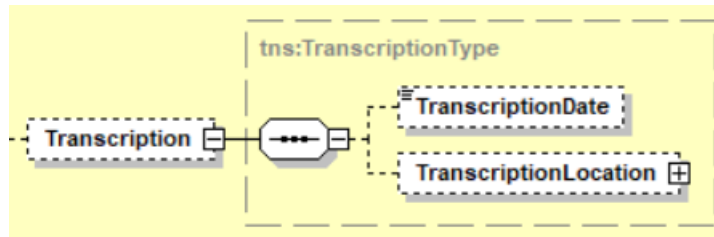
Field name	Description
PartnerSsin	This field contains the INSS number of the partner.
PartnerFictionalIdentificationNumber	This field contains the partner fictional identification number. Remark: if partner has no identification number in the National Register.
PartnerName/LastName	This field contains the last name of the partner.
PartnerName/GivenName[@sequence]	This field contains the first names of the partner (3 maximum first names). The attribute <i>sequence</i> has a value from 1 to 3.
InceptionDate	This field contains the inception date of the information.

6.3.23 JudgmentType



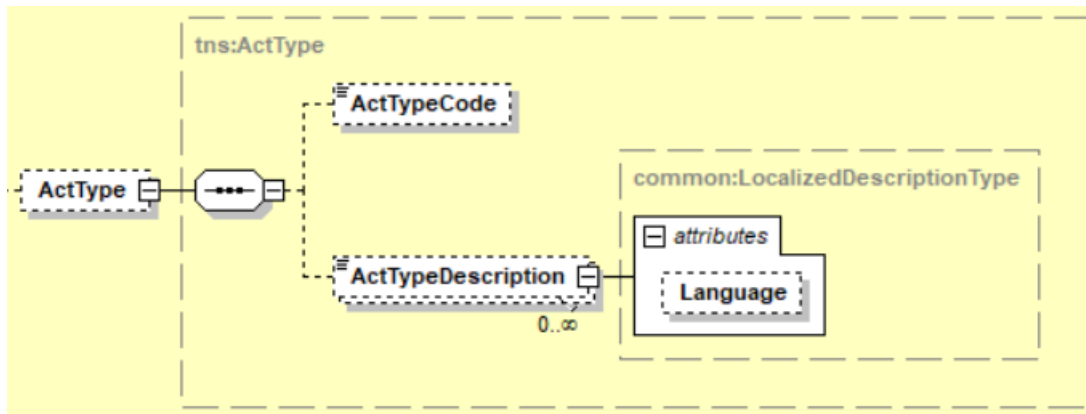
Field name	Description
JudgmentDate	This field contains the judgment date.
JudgmentLocation	This block contains the judgment location (see section 6.3.21).

6.3.24 TranscriptionType



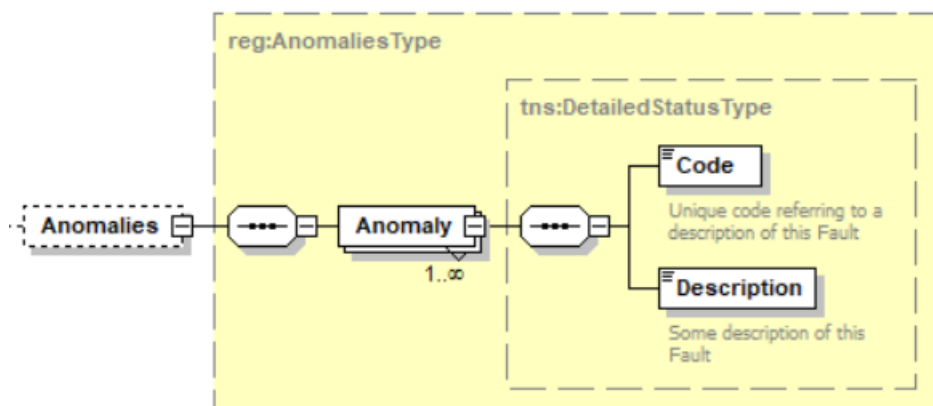
Field name	Description
TranscriptionDate	This field contains the judgment transcription date.
TranscriptionLocation	This block contains the Judgment transcription location (see section 6.3.21).

6.3.25 ActType



Field name	Description
ActTypeCode	This field contains the act type code.
ActTypeDescription[@Language]	This field contains the act type description in different languages.

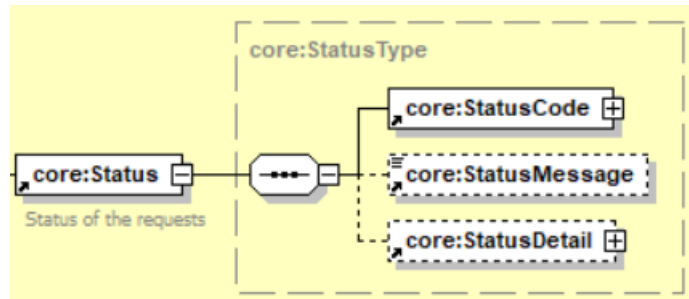
6.3.26 Anomalies



Field name	Description
Anomaly/Code	This field contains the anomaly code.
Anomaly/Description	This field contains the anomaly code description.

7. Status

When you call the service, the information about the success or error from request is contained in a Status element.



Field name	Description
StatusCode	This field contains the status code.
StatusMessage	This field contains the description of the status code.
StatusDetail	This field contains additional information about the status.

7.1 Success response

In case of success response, the element status will contained the following information:

```

<ns2:Status>
  <ns2:StatusCode Value="urn:be:fgov:health:2.0:status:Success"/>
</ns2:Status>
  
```

7.2 Business errors

In the case of a business error, the element status will contained the following information:

Error Description	Element eHealth	Solution
ApplicationID is malformed	<pre> <Status> <StatusCode Value="urn:be:fgov:health:2.0:status:Requester"> <StatusCode Value="urn:be:fgov:health:2.0:status:InvalidInput"> </StatusCode> <StatusMessage>The applicationId is malformed</StatusMessage> </Status> </pre>	<p>The applicationID is not valid.</p> <p>Please use a correct application Id in your request.</p>
Ssin is malformed	<pre> <Status> <StatusCode Value="urn:be:fgov:health:2.0:status:Requester"> <StatusCode Value="urn:be:fgov:health:2.0:status:InvalidInput"> </StatusCode> <StatusMessage>The ssin is malformed</StatusMessage> </Status> </pre>	<p>The INSS number is not valid. Please check the structure of INSS number.</p>



No right configured to call the web service	<pre><Status> <StatusCode Value="urn:be:fgov:health:2.0:status:Requester"> <StatusCode Value="urn:be:fgov:health:2.0:status:RequestDenied"> </StatusCode> <StatusMessage>No right configured to call the web service </StatusMessage> </Status></pre>	The applicationID is not allowed to call the web service. Please refer to the contact center.
Access to this operation is not allowed with the given legal context and credentials	<pre><Status> <StatusCode Value="urn:be:fgov:health:2.0:status:Requester"> <StatusCode Value="urn:be:fgov:health:2.0:status:InvalidInput"> </StatusCode> <StatusMessage>Access to this operation is not allowed with the given legal context and credentials</StatusMessage> </Status></pre>	Request to service is forbidden. Please refer to the contact center.
The number of notifications requested exceeds the maximum value allowed	<pre><StatusCode Value="urn:be:fgov:health:2.0:status:Requester "> <StatusCode Value="urn:be:fgov:health:2.0:status:InvalidInput"> </StatusCode> <StatusMessage>The number of notificats requested exceeds the maximum value allowed </StatusMessage></pre>	The maximum number of notifications is limited to 1000. Please check your request.
There is no more notifications to receive	<pre>StatusCode Value="urn:be:fgov:health:2.0:status:Requester "> <StatusCode Value="urn:be:fgov:health:2.0:status:DataNotFound"> </StatusCode> <StatusMessage>There is no more notifications to receive </StatusMessage></pre>	There are no more notifications to receive. Please try again the next day.
The ackId doesn't exists	<pre><StatusCode Value="urn:be:fgov:health:2.0:status:Requester "> <StatusCode Value="urn:be:fgov:health:2.0:status:InvalidInput"> </StatusCode> <StatusMessage>The ackId doesn't exists</StatusMessage></pre>	The notification identifier in your request does not exist. Please use the value retrieved in the attribute <i>AckId</i> from the response of operation <i>getNotification</i> .
The ackId has already been acked	<pre><StatusCode Value="urn:be:fgov:health:2.0:status:Requester "> <StatusCode Value="urn:be:fgov:health:2.0:status:InvalidInput"> </StatusCode> <StatusMessage>The ackId has already been acked</StatusMessage></pre>	The list of notifications linked to the acknowledge identifier are already acked. Please call the operation <i>getMutation</i> to get a new acknowledge identifier (Ackid) for the following mutations received.
The ackId is not the latest	<pre><StatusCode Value="urn:be:fgov:health:2.0:status:Requester"> <StatusCode Value="urn:be:fgov:health:2.0:status:InvalidInput"> </StatusCode> <StatusMessage>The ackId is not the latest</StatusMessage></pre>	Please use the last <i>AckId</i> received

		from operation getNotification.
Cause unknown	<pre> <Status> <StatusCode Value="urn:be:fgov:health:2.0:status:Requester"> <StatusCode Value="urn:be:fgov:health:2.0:status:Indeterminate"> </StatusCode> <StatusMessage>Cause unknown</StatusMessage> </Status> </pre>	Please refer to the contact center

7.3 Technical errors

In the case of a technical error, a SOAP fault exception is returned (see table below) with the following status:

```

<ns2:Status>
  <ns2:StatusCode Value="urn:be:fgov:health:2.0:status:Responder"/>
</ns2:Status>

```

If an error occurs, first please verify your request. Following table contains a list of common system error codes for the eHealth Service Bus.

Error code	Component	Description	Solution
SOA-00001	Not determined	Service error	This is the default error sent to the consumer in case more details are unknown.
SOA-01001	Consumer	Service call not authenticated	From the security information provided: <ul style="list-style-type: none"> • or the consumer could not be identified • or the credentials provided are not correct.
SOA-01002	Consumer	Service call not authorized	<ul style="list-style-type: none"> • The consumer is identified and authenticated, but is not allowed to call the given service.
SOA-02001	Provider	Service not available. Please contact service desk	An unexpected error has occurred: <ul style="list-style-type: none"> • Retries will not work • Service desk may help with root cause analysis.
SOA-02002	Provider	Service temporarily not available. Please try later	An unexpected error has occurred <ul style="list-style-type: none"> • Retries should work • If the problem persists service desk may help.
SOA-03001	Consumer	Malformed message	This is default error for content related errors in case no more details are known.



SOA-03002	Consumer	Message must be SOAP	Message does not respect the SOAP standard.
SOA-03003	Consumer	Message must contain SOAP body	Message respects the SOAP standard, but body is missing.
SOA-03004	Consumer	WS-I compliance failure	Message does not respect the WS-I standard.
SOA-03005	Consumer	WSDL compliance failure	Message is not compliant with WSDL in Registry/Repository.
SOA-03006	Consumer	XSD compliance failure	Message is not compliant with XSD in Registry/Repository.
SOA-03007	Consumer	Message content validation failure	From the message content (conform XSD): <ul style="list-style-type: none"> • Extended checks on the element format failed • Cross-checks between fields failed.

8. Risks and security

8.1 Risks & safety

8.2 Security

8.2.1 Business security

In case the development adds an additional use case based on an existing integration, the eHealth platform must be informed at least one month in advance with a detailed estimate of the expected load. This will ensure an effective capacity management.

In case of technical issues on the WS, the partner may obtain support from the contact center (see Chap 3)

In case the eHealth platform finds a bug or vulnerability in its software, we advise the partner to update his application with the newest version of the software within 10 business days.

In case the partner finds a bug or vulnerability in the software or web service that the eHealth platform delivered, he is obliged to contact and inform us immediately. He is not allowed to publish this bug or vulnerability in any case.

8.2.2 Web service

WS security used in this manner is in accordance with the common standards. Your call will provide:

- SSL one way
- Time-to-live of the message: one minute.
- Signature of the timestamp, body and binary security token. This will allow the eHealth platform to verify the integrity of the message and the identity of the message author.
- No encryption on the message.

8.2.3 The use of username, password and token

The username, password and token are strictly personal. Partners and clients are not allowed to transfer them. Every user takes care of his username, password and token and he is forced to confidentiality of it. Moreover, every user is responsible of every use, which includes the use by a third party, until the inactivation.



9. Test and release procedure

9.1 Procedure

This chapter explains the procedures for testing and releasing an application in acceptance or production.

9.1.1 Initiation

If you intend to use the eHealth platform service, please contact info@ehealth.fgov.be. The project department will provide you with the necessary information and mandatory documents.

9.1.2 Development and test procedure

You have to develop a client in order to connect to our WS. Most of the required integration info to integrate is published on the portal of the eHealth platform.

Upon request, the eHealth platform provides you in some cases, with a mock-up service or test cases in order for you to test your client before releasing it in the acceptance environment.

9.1.3 Release procedure

When development tests are successful, you can request to access the acceptance environment of the eHealth platform. From this moment, you start the integration and acceptance tests. The eHealth platform suggests testing during minimum one month.

After successful acceptance tests, the partner sends his test results and performance results with a sample of “eHealth request” and “eHealth answer” by email to his point of contact at the eHealth platform.

Then the eHealth platform and the partner agree on a release date. The eHealth platform prepares the connection to the production environment and provides the partner with the necessary information. During the release day, the partner provides the eHealth platform with feedback on the test and performance tests.

For further information and instructions, please contact: integration-support@ehealth.fgov.be.

9.1.4 Operational follow-up

Once in production, the partner using the eHealth platform service for one of his applications will always test first in the acceptance environment before releasing any adaptations of its application in production. In addition, he will inform the eHealth platform on the progress and test period.



10. Example

10.1 GetNotification

10.1.1 Request

```
<soapenv:Envelope xmlns:soapenv="http://schemas.xmlsoap.org/soap/envelope/" xmlns:urn="urn:
be:fgov:ehhealth:rn:notificationsservice:protocol:v1">
  <soapenv:Header/>
  <soapenv:Body>
    <urn:GetNotificationRequest Id="ID-XXXX" IssueInstant="2020-03-
09T16:13:37.887+01:00" Limit="10">
      <urn:ApplicationId>12345678910</urn:ApplicationId>
    </urn:GetNotificationRequest>
  </soapenv:Body>
</soapenv:Envelope>
```

10.1.2 Success response

```
<SOAP-ENV:Envelope xmlns:SOAP-ENV="http://schemas.xmlsoap.org/soap/envelope/">
  <SOAP-ENV:Header/>
  <SOAP-ENV:Body>
    <ns9:GetNotificationResponse Id="Id-
XXXXXXXXXXXX" InResponseTo="id1" IssueInstant="2020-09-30T10:23:05.766+02:00"
  xmlns:ns10="urn:be:fgov:ehhealth:rn:commons:business:v1"
  xmlns:ns12="urn:be:fgov:ehhealth:errors:soa:v1"
  xmlns:ns13="urn:be:fgov:ehhealth:errors:service:v1"
  xmlns:ns2="urn:be:fgov:ehhealth:commons:core:v2"
  xmlns:ns3="urn:be:fgov:ehhealth:rn:registries:notification:commons:business:v1"
  xmlns:ns4="urn:be:fgov:ehhealth:rn:notificationsservice:core:v1"
  xmlns:ns5="urn:be:fgov:ehhealth:rn:registries:notification:person:v1"
  xmlns:ns6="urn:be:fgov:ehhealth:rn:personlegaldata:v1"
  xmlns:ns7="urn:be:fgov:ehhealth:rn:baselegaldata:v1"
  xmlns:ns8="urn:be:fgov:ehhealth:rn:registries:commons:v1"
  xmlns:ns9="urn:be:fgov:ehhealth:rn:notificationsservice:protocol:v1">
      <ns2:Status>
        <ns2:StatusCode Value="urn:be:fgov:ehhealth:2.0:status:Success"/>
      </ns2:Status>
      <ns9:Result AckId="XXXXX-XXXXX-XXXXX-XXXXX-XXXXXXX" Count="3">
        <ns4:Notifications>
          <ns4:CancellationNotifications>
            <ns5:cancellationNotification>
              <ns3:notificationInformation>
                <ns3:timestamp>2001-12-17T09:30:47Z</ns3:timestamp>
                <ns3:reason>SSIN_CANCELED</ns3:reason>
                <ns3:NotificationId>XXXXX-XXXXX-XXXXX-XXXXX-
XXXXXXXXXX</ns3:NotificationId>
```




```

        </ns3:notificationInformation>
        <ssin canceled="true">00000000100</ssin>
    </ns5:cancellationNotification>
</ns4:CancellationNotifications>
<ns4:ReplacementNotifications>
    <ns5:ReplacementNotification>
        <ns3:NotificationInformation>
            <ns3:Timestamp>2020-06-
10T01:18:51.434+02:00</ns3:Timestamp>
            <ns3:Reason>SSIN_REPLACED</ns3:Reason>
            <ns3:NotificationId>XXXXX-XXXXX-XXXXX-XXXXX-
XXXXXXXXXX</ns3:NotificationId>
        </ns3:NotificationInformation>
        <ns5:Ssin ReplacedBy="XXXXXXXXX16">XXXXXXXXXX02</ns5:Ssin>
        <ns5:ReplacingPerson Register="NR">
            <ns6:Ssin>XXXXXXXXX16</ns6:Ssin>
            <ns6:Name>
                <ns7:LastName>Lastname</ns7:LastName>
                <ns7:GivenName Sequence="1">GivenName1</ns7:GivenName>
                <ns7:GivenName Sequence="2">GivenName2</ns7:GivenName>
                <ns7:GivenName Sequence="3">GivenName3</ns7:GivenName>
                <ns7:InceptionDate>XXXX-XX-XX</ns7:InceptionDate>
            </ns6:Name>
            <ns6:Nationalities>
                <ns7:Nationality>
                    <ns7:NationalityCode>150</ns7:NationalityCode>
                    <ns7:NationalityDescription xml:lang="fr">Belgique<
/ns7:NationalityDescription>
                    <ns7:NationalityDescription xml:lang="nl">België</n
s7:NationalityDescription>
                    <ns7:NationalityDescription xml:lang="de">Belgien</
ns7:NationalityDescription>
                    <ns7:InceptionDate>XXXX-XX-XX</ns7:InceptionDate>
                </ns7:Nationality>
            </ns6:Nationalities>
            <ns6:Birth>
                <ns7:BirthDate>XXXX-XX-XX</ns7:BirthDate>
                <ns7:BirthPlace>
                    <ns7:CountryCode>150</ns7:CountryCode>
                    <ns7:CountryName xml:lang="fr">Belgique</ns7:Country
yName>
                    <ns7:CountryName xml:lang="nl">België</ns7:CountryN
ame>
                    <ns7:CountryName xml:lang="de">Belgien</ns7:Country
Name>
                    <ns7:CityCode>XXXXX</ns7:CityCode>
                    <ns7:CityName xml:lang="fr">XXXX</ns7:CityName>

```



```

        <ns7:CityName xml:lang="nl">XXXX</ns7:CityName>
    </ns7:BirthPlace>
</ns6:Birth>
<ns6:Gender>
    <ns7:GenderCode>M</ns7:GenderCode>
</ns6:Gender>
<ns6:CivilStates>
    <ns7:CivilState>
        <ns7:CivilStateCode>10</ns7:CivilStateCode>
        <ns7:CivilStateDescription xml:lang="fr">Célibataire</ns7:CivilStateDescription>
        <ns7:CivilStateDescription xml:lang="nl">Ongehuwd</ns7:CivilStateDescription>
        <ns7:InceptionDate>XXXX-XX-XX</ns7:InceptionDate>
    </ns7:CivilState>
</ns6:CivilStates>
<ns6:Address>
    <ns7:ResidentialAddress>
        <ns7:CountryCode>150</ns7:CountryCode>
        <ns7:CountryName xml:lang="fr">Belgique</ns7:CountryName>
        <ns7:CountryName xml:lang="nl">België</ns7:CountryName>
        <ns7:CountryName xml:lang="de">Belgien</ns7:CountryName>
        <ns7:CityCode>XXXXX</ns7:CityCode>
        <ns7:CityName xml:lang="nl">XXXXXXXX</ns7:CityName>
        <ns7:PostalCode>XXXX</ns7:PostalCode>
        <ns7:StreetCode>XXXX</ns7:StreetCode>
        <ns7:StreetName xml:lang="nl">XXXXXXXX</ns7:StreetName>
        <ns7:HouseNumber>XX</ns7:HouseNumber>
        <ns7:InceptionDate>XXXX-XX-XX</ns7:InceptionDate>
    </ns7:ResidentialAddress>
</ns6:Address>
</ns5:ReplacingPerson>
</ns5:ReplacementNotification>
</ns4:ReplacementNotifications>
<ns4:UpdateNotifications>
    <ns5:UpdateNotification>
        <ns3:NotificationInformation>
            <ns3:Timestamp>2020-06-09T12:46:01.941+02:00</ns3:Timestamp>
            <ns3:Reason>PERSON_MODIFIED</ns3:Reason>
            <ns3:NotificationId>XXXXX-XXXXX-XXXXX-XXXXX-XXXXXXXXXX</ns3:NotificationId>
        </ns3:NotificationInformation>
    </ns5:UpdateNotification>
</ns4:UpdateNotifications>
</ns3:NotificationInformation>

```

```

<ns5:Ssin>XXXXXXXXXX64</ns5:Ssin>
<ns5:Person Register="BIS" RegisterInceptionDate="2020-06-08">
  <ns6:Ssin>XXXXXXXXXX64</ns6:Ssin>
  <ns6:Name>
    <ns7:LastName>Lastname</ns7:LastName>
    <ns7:GivenName Sequence="1">GivenName1</ns7:GivenName>
    <ns7:GivenName Sequence="2">GivenName2</ns7:GivenName>
    <ns7:GivenName Sequence="3">GivenName3</ns7:GivenName>
    <ns7:InceptionDate>XXXX-XX-XX</ns7:InceptionDate>
  </ns6:Name>
  <ns6:Nationalities>
    <ns7:Nationality>
      <ns7:NationalityCode>101</ns7:NationalityCode>
      <ns7:NationalityDescription xml:lang="fr">Albanie</
ns7:NationalityDescription>
      <ns7:NationalityDescription xml:lang="nl">Albanië</
ns7:NationalityDescription>
      <ns7:NationalityDescription xml:lang="de">Albanien<
/ns7:NationalityDescription>
      <ns7:InceptionDate>XXXX-XX-XX</ns7:InceptionDate>
    </ns7:Nationality>
  </ns6:Nationalities>
  <ns6:Birth>
    <ns7:BirthDate>XXXX-XX-XX</ns7:BirthDate>
    <ns7:BirthPlace>
      <ns7:CountryCode>150</ns7:CountryCode>
      <ns7:CountryName xml:lang="fr">Belgique</ns7:Country
yName>
      <ns7:CountryName xml:lang="nl">België</ns7:CountryN
ame>
      <ns7:CountryName xml:lang="de">Belgien</ns7:Country
Name>
      <ns7:CityCode>XXXXX</ns7:CityCode>
      <ns7:CityName xml:lang="fr">XXXX</ns7:CityName>
      <ns7:CityName xml:lang="nl">XXXX</ns7:CityName>
    </ns7:BirthPlace>
  </ns6:Birth>
  <ns6:Gender>
    <ns7:GenderCode>M</ns7:GenderCode>
    <ns7:InceptionDate>XXXX-XX-XX</ns7:InceptionDate>
  </ns6:Gender>
  <ns6:Address>
    <ns7:ResidentialAddress>
      <ns7:CountryCode>150</ns7:CountryCode>
      <ns7:CountryName xml:lang="fr">Belgique</ns7:Country
yName>

```

```

                                <ns7:CountryName xml:lang="nl">België</ns7:CountryName>
ame>
                                <ns7:CountryName xml:lang="de">Belgien</ns7:CountryName>
Name>
                                <ns7:CityCode>XXXXX</ns7:CityCode>
                                <ns7:CityName xml:lang="nl">XXXXXXXX</ns7:CityName>
                                <ns7:PostalCode>XXXX</ns7:PostalCode>
                                <ns7:StreetCode>XXXX</ns7:StreetCode>
                                <ns7:StreetName xml:lang="nl">XXXXXXXX</ns7:StreetName>
me>
                                <ns7:HouseNumber>XX</ns7:HouseNumber>
                                <ns7:InceptionDate>XXXX-XX-XX</ns7:InceptionDate>
                                </ns7:ResidentialAddress>
                                </ns6:Address>
                                </ns5:Person>
                                <ns5:MutationEvents>
                                    <ns3:MutationEvent>
                                        <ns3:ModificationTimestamp>2020-06-
08T13:08:14+02:00</ns3:ModificationTimestamp>
                                        <ns3:ModifiedField>birth</ns3:ModifiedField>
                                        </ns3:MutationEvent>
                                    <ns3:MutationEvent>
                                        <ns3:ModificationTimestamp>2020-06-
08T13:08:14+02:00</ns3:ModificationTimestamp>
                                        <ns3:ModifiedField>nationalities</ns3:ModifiedField>
                                        </ns3:MutationEvent>
                                    <ns3:MutationEvent>
                                        <ns3:ModificationTimestamp>2020-06-
08T13:08:14+02:00</ns3:ModificationTimestamp>
                                        <ns3:ModifiedField>name</ns3:ModifiedField>
                                        </ns3:MutationEvent>
                                    <ns3:MutationEvent>
                                        <ns3:ModificationTimestamp>2020-06-
08T13:08:14+02:00</ns3:ModificationTimestamp>
                                        <ns3:ModifiedField>address</ns3:ModifiedField>
                                        </ns3:MutationEvent>
                                    <ns3:MutationEvent>
                                        <ns3:ModificationTimestamp>2020-06-
08T13:08:14+02:00</ns3:ModificationTimestamp>
                                        <ns3:ModifiedField>gender</ns3:ModifiedField>
                                        </ns3:MutationEvent>
                                </ns5:MutationEvents>
                                </ns5:UpdateNotification>
                                </ns4:UpdateNotifications>
                                </ns4:Notifications>
                                </ns9:Result>
                                </ns9:GetNotificationResponse>

```



```
</SOAP-ENV:Body>
</SOAP-ENV:Envelope>
```

10.1.3 Business error response

```
<SOAP-ENV:Envelope xmlns:SOAP-ENV="http://schemas.xmlsoap.org/soap/envelope/">
  <SOAP-ENV:Header/>
  <SOAP-ENV:Body>
    <ns9:GetNotificationResponse Id="Id-f332735f3fcc08a377947e84" InResponseTo="id1" IssueInstant="2020-09-29T15:13:24.414+02:00" xmlns:ns10="urn:be:fgov:ehealth:rn:commons:business:v1" xmlns:ns12="urn:be:fgov:ehealth:errors:soa:v1" xmlns:ns13="urn:be:fgov:ehealth:errors:service:v1" xmlns:ns2="urn:be:fgov:ehealth:commons:core:v2" xmlns:ns3="urn:be:fgov:ehealth:rn:registries:notification:commons:business:v1" xmlns:ns4="urn:be:fgov:ehealth:rn:notification:service:core:v1" xmlns:ns5="urn:be:fgov:ehealth:rn:registries:notification:person:v1" xmlns:ns6="urn:be:fgov:ehealth:rn:personlegaldata:v1" xmlns:ns7="urn:be:fgov:ehealth:rn:baselegaldata:v1" xmlns:ns8="urn:be:fgov:ehealth:rn:registries:commons:v1" xmlns:ns9="urn:be:fgov:ehealth:rn:notification:service:protocol:v1">
      <ns2:Status>
        <ns2:StatusCode Value="urn:be:fgov:ehealth:2.0:status:Requester">
          <ns2:StatusCode Value="urn:be:fgov:ehealth:2.0:status:RequestDenied"/>
        </ns2:StatusCode>
        <ns2:StatusMessage>No right configured to call the web service</ns2:StatusMessage>
      </ns2:Status>
    </ns9:GetNotificationResponse>
  </SOAP-ENV:Body>
</SOAP-ENV:Envelope>
```

10.1.4 Technical error response

```
<soapenv:Envelope xmlns:soapenv="http://schemas.xmlsoap.org/soap/envelope/">
  <soapenv:Body>
    <soapenv:Fault>
      <faultcode>soapenv:Server</faultcode>
      <faultstring>SOA-02001: Service is not available. Please contact service desk.</faultstring>
      <detail>
        <urn:SystemError Id="Id-XXXXX" xmlns:urn="urn:be:fgov:ehealth:errors:soa:v1">
          <Origin>Server</Origin>
          <Code>SOA-02001</Code>
          <Message xml:lang="en">Service is not available. Please contact service desk.</Message>
          <urn:Environment>Acceptation</urn:Environment>
        </urn:SystemError>
      </detail>
    </soapenv:Fault>
  </soapenv:Body>
</soapenv:Envelope>
```



```

    </soapenv:Fault>
  </soapenv:Body>
</soapenv:Envelope>

```

10.2 AckNotification

10.2.1 Request

```

<soapenv:Envelope xmlns:soapenv="http://schemas.xmlsoap.org/soap/envelope/" xmlns:urn="urn:
be:fgov:ehealth:rn:notificationsservice:protocol:v1">
  <soapenv:Header/>
  <soapenv:Body>
    <urn:AckNotificationRequest Id="ID-XXXX" IssueInstant="2020-03-
09T16:13:37.887+01:00">
      <urn:ApplicationId>12345678910</urn:ApplicationId>
      <urn:AckId>XXXXXX-XXXX-XXXX-XXXX-XXXXXXXXXX</urn:AckId>
    </urn:AckNotificationRequest>
  </soapenv:Body>
</soapenv:Envelope>

```

10.2.2 Success response

```

<SOAP-ENV:Envelope xmlns:SOAP-ENV="http://schemas.xmlsoap.org/soap/envelope/">
  <SOAP-ENV:Header/>
  <SOAP-ENV:Body>
    <ns3:AckNotificationResponse Id="Id-XXXXXXX" InResponseTo="id1" IssueInstant="2020-
09-
30T11:33:54.744+02:00" xmlns:ns2="urn:be:fgov:ehealth:commons:core:v2" xmlns:ns3="urn:be:fg
ov:ehealth:rn:notificationsservice:protocol:v1" xmlns:ns4="urn:be:fgov:ehealth:rn:registries
:commons:v1" xmlns:ns5="urn:be:fgov:ehealth:rn:commons:business:v1" xmlns:ns7="urn:be:fgov:
ehealth:errors:soa:v1" xmlns:ns8="urn:be:fgov:ehealth:errors:service:v1">
      <ns2:Status>
        <ns2:StatusCode Value="urn:be:fgov:ehealth:2.0:status:Success"/>
      </ns2:Status>
    </ns3:AckNotificationResponse>
  </SOAP-ENV:Body>
</SOAP-ENV:Envelope>

```

10.2.3 Business error response

```

<SOAP-ENV:Envelope xmlns:SOAP-ENV="http://schemas.xmlsoap.org/soap/envelope/">
  <SOAP-ENV:Header/>
  <SOAP-ENV:Body>
    <ns3:AckNotificationResponse Id="Id-XXXXXX" InResponseTo="id1" IssueInstant="2020-09-
29T15:33:23.030+02:00" xmlns:ns2="urn:be:fgov:ehealth:commons:core:v2" xmlns:ns3="urn:be:fg
ov:ehealth:rn:notificationsservice:protocol:v1" xmlns:ns4="urn:be:fgov:ehealth:rn:registries

```



```

:commons:v1" xmlns:ns5="urn:be:fgov:ehhealth:rn:commons:business:v1" xmlns:ns7="urn:be:fgov:
ehhealth:errors:soa:v1" xmlns:ns8="urn:be:fgov:ehhealth:errors:service:v1">
  <ns2:Status>
    <ns2:StatusCode Value="urn:be:fgov:ehhealth:2.0:status:Requester">
      <ns2:StatusCode Value="urn:be:fgov:ehhealth:2.0:status:InvalidInput"/>
    </ns2:StatusCode>
    <ns2:StatusMessage>The ackId doesn't exist</ns2:StatusMessage>
  </ns2:Status>
</ns3:AckNotificationResponse>
</SOAP-ENV:Body>
</SOAP-ENV:Envelope>

```

10.2.4 Technical error response

```

<soapenv:Envelope xmlns:soapenv="http://schemas.xmlsoap.org/soap/envelope/">
  <soapenv:Body>
    <soapenv:Fault>
      <faultcode>soapenv:Server</faultcode>
      <faultstring>SOA-
02001: Service is not available. Please contact service desk.</faultstring>
      <detail>
        <urn:SystemError Id="Id-XXXXX" xmlns:urn="urn:be:fgov:ehhealth:errors:soa:v1">
          <Origin>Server</Origin>
          <Code>SOA-02001</Code>
          <Message xml:lang="en">Service is not available. Please contact service de
sk.</Message>
          <urn:Environment>Acceptation</urn:Environment>
        </urn:SystemError>
      </detail>
    </soapenv:Fault>
  </soapenv:Body>
</soapenv:Envelope>

```