

**RNConsult WS - CbssPersonService
Cookbook
Version 1.5**

This document is provided to you free of charge by the

eHealth platform

**Willebroekkaai 38 – 1000 Brussel
38, Quai de Willebroeck – 1000 Bruxelles**

All are free to circulate this document with reference to the URL source.

Table of contents

Table of contents	2
1. Document management	5
1.1 Document history	5
2. Introduction	6
2.1 Goal of the service	6
2.2 Goal of the document	6
2.3 eHealth platform document references	6
2.4 External document references	7
3. Support	8
3.1 Helpdesk eHealth platform	8
3.1.1 Certificates	8
3.1.2 For issues in production	8
3.1.3 For issues in acceptance	8
3.1.4 For business issues	8
3.2 Status	8
3.3 Authorization from sectoral committee	8
4. Global overview	9
5. Requirements	10
5.1 Healthcare institution	10
5.2 Healthcare professionals	10
5.3 Technical requirements	10
5.3.1 WS-I Basic Profile 1.1	10
5.3.2 Tracing	10
6. Process overview	12
6.1.1 Exceptions management	13
7. Description of xml messages	15
7.1 registerPerson	15
7.1.1 Request	16
7.1.2 Response	17
7.2 Used Types	18
7.2.1 NameInfoDeclarationType	18
7.2.2 NationalitiesDeclarationType	18
7.2.3 BirthInfoDeclarationType	19
7.2.4 DeceaseInfoDeclarationType	19
7.2.5 GenderInfoDeclarationType	19
7.2.6 CivilStatesDeclarationType	20
7.2.7 ForeignAddressDeclarationType	21
7.2.8 ContactAddressDeclarationType	22
7.2.9 CbssPersonResponseType	23
7.2.10 PersonIdentificationType	24



7.2.11	NameInfoBaseType.....	25
7.2.12	NationalitiesBaseType	26
7.2.13	BirthInfoBaseType	26
7.2.14	DeceaseInfoBaseType.....	27
7.2.15	GenderInfoBaseType	27
7.2.16	CivilStatesBaseType	28
7.2.17	AddressBaseType.....	29
7.2.18	ResidentialAddressType	30
7.2.19	PlainAddressType	31
7.2.20	DiplomaticPostType.....	32
7.2.21	ContactAddressBaseType	33
7.2.22	AdministratorBaseType	34
7.2.23	LocationType	35
7.2.24	PartnerType	36
7.2.25	JudgmentType	36
7.2.26	TranscriptionType.....	37
7.2.27	ActType.....	37
7.2.28	AnomaliesType	37
8.	Risks and security.....	39
8.1	Risks & safety	39
8.2	Security	39
8.2.1	Business security	39
8.2.2	Web service	39
8.2.3	The use of username, password and token.....	39
9.	Test and release procedure.....	40
9.1	Procedure.....	40
9.1.1	Initiation	40
9.1.2	Development and test procedure	40
9.1.3	Release procedure.....	40
9.1.4	Operational follow-up	40
10.	Status.....	41
10.1	Success response.....	41
10.2	Business errors.....	41
10.2.1	searchPersonBySsin	41
10.3	Technical errors.....	42
11.	Example	44
11.1	RegisterPerson	44
11.1.1	Request.....	44
11.1.2	Success response - Existing person.....	46
11.1.3	Business error response	47
11.1.4	Technical error response	48
12.	Test cases.....	49
12.1	Register a person based on MID Birth	49
12.2	Register a person based on MID foreign.....	50



12.3 Person is already known in the CBSS register 52
12.4 No valid MID introduced by the user 53



1. Document management

1.1 Document history

Version	Date	Author	Description of changes / remarks
1.0	03/03/2020	eHealth platform	Initial version
1.1	12/05/2020	eHealth platform	Section 4 - global overview : Update schema and description Section 11: update xml examples
1.2	20/08/2020	eHealth platform	Examples and schema have been updated to be compliant with the last version of xsd deployed
1.3	15/10/2020	eHealth platform	Add new section: test cases
1.4	28/10/2020	eHealth platform	Update
1.5	20/07/2022	eHealth platform	§ 2.3 eHealth platform document references (updated) § 3.2 Status (added) § 5.3.2 Tracing (updated)



2. Introduction

2.1 Goal of the service

Actors in the healthcare sector must be able to uniquely identify patients and use up-to-date data directly from the authentic source. In case, the patient's SSIN is unknown neither at the level of the National Registry (RN) nor at the level of the CBSS registry it is necessary to create a new BIS number in order to be able to identify him as of the first contact. The purpose of this service is to allow the creation of a BIS number at the CBSS BIS-Registry based on the maximum information available:

- Name
- First name
- Given name(s)
- Birth date
- Complementary Minimum Identification Data (MID)
 - MID in relation to birth
 - MID in relation to the foreign address or contact address

2.2 Goal of the document

This document is not a development or programming guide for internal applications. Instead, it provides functional and technical information and allows an organization to integrate and use the eHealth platform service.

However, in order to interact in a smooth, homogeneous and risk controlled way with a maximum of partners, these partners must commit to comply with the requirements of specifications, data format and release processes of the eHealth platform as described in this document.

Technical and business requirements must be met in order to allow the integration and validation of the eHealth platform service in the client application.

2.3 eHealth platform document references

On the portal of the eHealth platform, you can find all the referenced documents.¹ These versions or any following versions can be used for the eHealth platform service.

ID	Title	Version	Date	Author
1	RNConsult PersonService - Cookbook	1.5	20/07/2022	eHealth platform
2	RNConsult – Incriptionservice – Cookbook	1.3	20/07/2022	eHealth platform

¹ www.ehealth.fgov.be/ehealthplatform



2.4 External document references

All documents can be found through the internet. They are available to the public, but not supported by the eHealth platform.

ID	Title	Source	Date	Author
1	Basic Profile Version 1.1	http://www.ws-i.org/Profiles/BasicProfile-1.1-2004-08-24.html	24/08/2004	Web Services Interoperability Organization



3. Support

3.1 Helpdesk eHealth platform

3.1.1 Certificates

In order to access the secured eHealth platform environment you have to obtain an eHealth platform certificate, used to identify the initiator of the request. In case you do not have one, please consult the chapter about the eHealth Certificates on the portal of the eHealth platform

- <https://www.ehealth.fgov.be/ehealthplatform/nl/ehealth-certificaten>
- <https://www.ehealth.fgov.be/ehealthplatform/fr/certificats-ehealth>

For technical issues regarding eHealth platform certificates

- Acceptance: acceptance-certificates@ehealth.fgov.be
- Production: support@ehealth.fgov.be

3.1.2 For issues in production

eHealth platform contact centre:

- Phone: 02 788 51 55 (on working days from 7 am till 8 pm)
- Mail: support@ehealth.fgov.be
- Contact Form :
 - <https://www.ehealth.fgov.be/ehealthplatform/nl/contact> (Dutch)
 - <https://www.ehealth.fgov.be/ehealthplatform/fr/contact> (French)

3.1.3 For issues in acceptance

Integration-support@ehealth.fgov.be

3.1.4 For business issues

- regarding an existing project: the project manager in charge of the application or service
- regarding a new project or other business issues: info@ehealth.fgov.be

3.2 Status

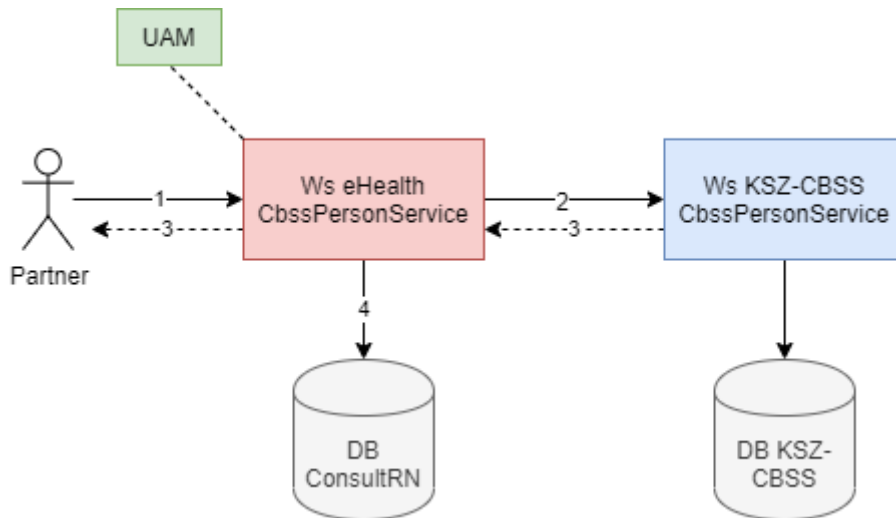
The website <https://status.ehealth.fgov.be> is the monitoring and information tool for the ICT functioning of the eHealth services that are partners of the Belgian eHealth system.

3.3 Authorization from sectoral committee

The use of RNConsult requires authorisation from the sectorial committee. Only then you will receive an applicationID that will be used to access with specific rights to this service.



4. Global overview



Step 1: The individual health care provider or the institution (identified by a CBE, EHP or INAMI/RIZIV Nr) authenticates himself through his software to the eHealth platform and sends a request to the eHealthPersonService.

In order to access the service, the eHealth platform performs several checks:

Request from an institution:

The eHealth platform verifies that :

- the authentication of the applicant via his/her eHealth certificate
- the applicationID is well configured in the RNConsult database and is well linked to the organization.

Request from an individual professional (AR 78)

The eHealth platform checks that:

- the requestor's token corresponds to an actor recognized as a professional in the health care sector. This verification is carried out in the authentic source CoBRHA (via Attribute Authority).
- the application ID to be configured by the professional has the value "0".
- the request coming from a professional must meet the requirements of the Information Security Committee and comply with the rules of good use and quota management enacted by the eHealth platform.

Step 2: Once the checks have been carried out, the eHealth request is transformed into a CBSS request and is sent to the KSZ-BCSSPersonService.

- If the person does not exist in the BIS registry, KSZ-BCSS creates the person and returns the information of the created person.
- If the person is already present in the BIS registry, it returns the information of the person found.

Step 3: The eHealth platform returns the BIS number and information about the person concerned to the care provider or institution (following the deliberation of the sectoral committee).

Important: If, in the case of a request sent by an institution, the later wants to receive any subsequent mutation(s) about the new person created, the institution needs to call the service InscriptionService (or ManagelInscription service) to register the SSIN created.



5. Requirements

The call to the service *CbssPersonService* is subject to several conditions:

5.1 Healthcare institution

- An authorization of the sectoral committee and the compliance with the integration procedure. By applying this procedure, the eHealth platform will provide you with your **applicationID**, used by the eHealth platform to grant specific rights:
- An eHealth certificate, used to identify the initiator of the request. If you do not have one, please refer to the section “Basisdiensten” (NL) or “Services de base” (F) on the portal of the eHealth platform (<https://www.ehealth.fgov.be/ehealthplatform/>)
- Time synchronisation
The servers of the eHealth platform are synchronized to a pool of global servers using NTP protocol. Partner’s clock cannot be offsetted by more than 60 seconds against eHealth’s or the request could be discarded.

5.2 Healthcare professionals

A healthcare professional needs a valid token.

To implement a WS call protected with a SAML token you can reuse the implementation as provided in the "eHealth technical connector". Nevertheless, implementations of the eHealth platform use standards. Any other compatible technology (WS stack for the client implementation) can be used instead. Please refer to section “connector” on the portal of the eHealth platform (<https://ehealth.fgov.be/ehealthplatform/>)

Alternatively, you can write your own implementation. The usage of the Secure Token Service (STS) and the structure of the exchanged XML-messages are described in the eHealth STS cookbook. Please refer to the section “Basisdiensten” (NL) or “Services de base” (F) on the portal of the eHealth platform at <https://www.ehealth.fgov.be/ehealthplatform/>.

The technical information how to obtain a SAML token from the STS (Secure Token Service) can be found in the separate document RNConsult WS SSO on the portal of the eHealth platform.

5.3 Technical requirements

5.3.1 WS-I Basic Profile 1.1

Your request must be WS-I compliant (See Chap 2.4 - External Document Ref).

5.3.2 Tracing

To use this service, the request SHOULD contain the following two http header values (see RFC <https://datatracker.ietf.org/doc/html/rfc7231#section-5.5.3>):

1. User-Agent: information identifying the software product and underlying technical stack/platform. It MUST include the minimal identification information of the software such that the emergency contact (see below) can uniquely identify the component.
 - a. Pattern: {minimal software information}/{version} {minimal connector information}/{connector-package-version}

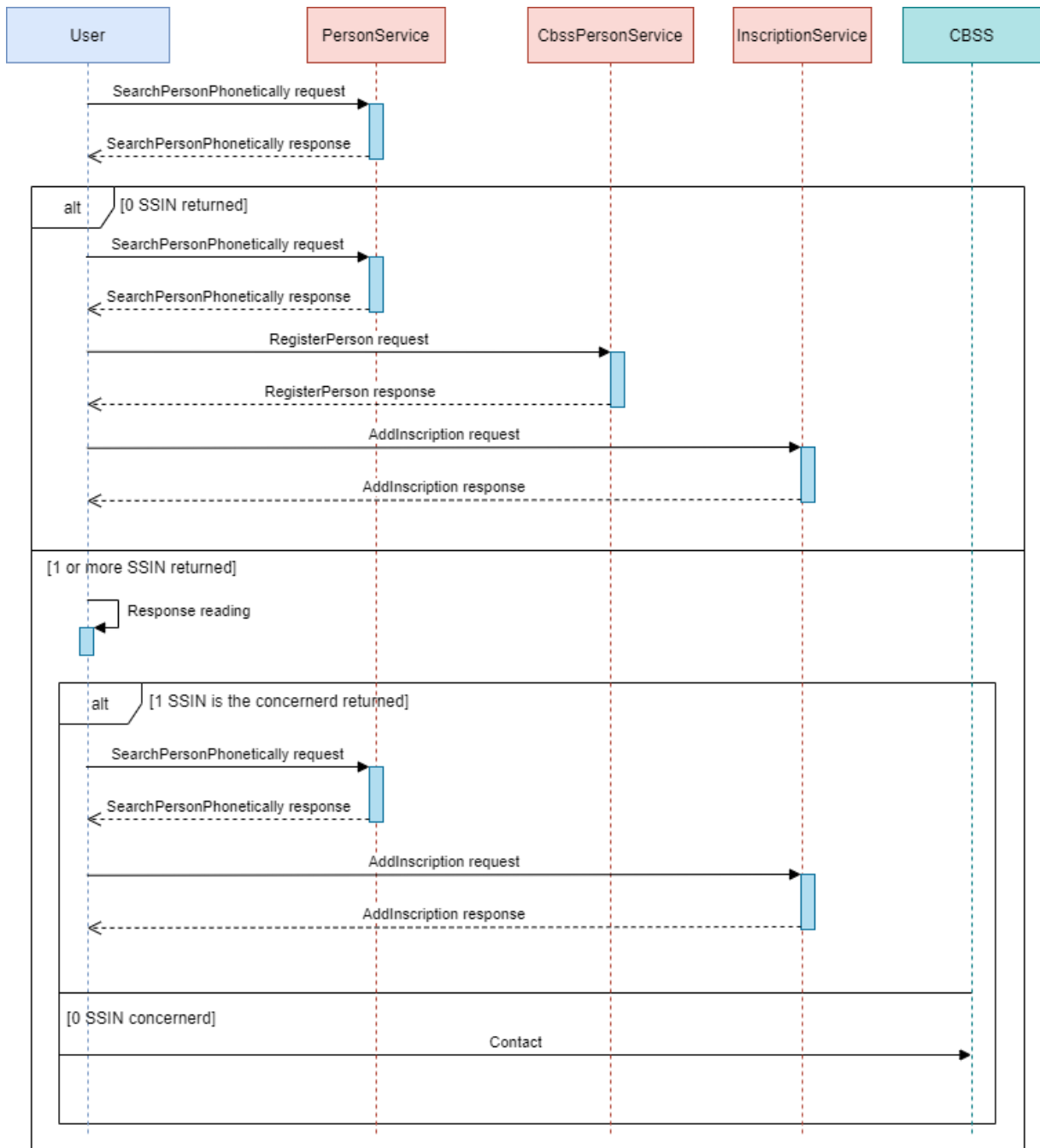


- b. Regular expression for each subset (separated by a space) of the pattern: `[[a-zA-Z0-9-\\]^\\/[0-9azA-Z-_.]]*`
 - c. Examples:
 - User-Agent: myProduct/62.310.4 Technical/3.19.0
 - User-Agent: Topaz-XXXX/123.23.X freeconnector/XXXXX.XXX
2. From: email-address that can be used for emergency contact in case of an operational problem.
Examples:
From: info@mycompany.be



6. Process overview

This is an overview of the business flow to be respected by the user:



1. A request « *SearchPersonPhonetically* » must be sent to the service PersonService² in order to verify if the person is known in the national registry or BIS registry. The minimum set of information are: name, first name, sex, birthdate.
2. If no SSIN is returned in the response (no person found for the corresponding criteria):
The user must retry with less restrictive parameters in the request (e.g. by adapting the tolerance on the birthdate) in order to be sure that this person is not known in the National registry or BIS registry.
3. Then (if there is still no person found) a request « RegisterPerson » must be sent to the service CbssPersonService. A BIS number will be created and returned in the response. In case of error, see next point 6.1.1.
If the user later wants to receive any subsequent mutation(s) about the new person created, the user needs to call the service inscriptionService (or ManageInscription service) to register the SSIN created. Remark: For healthcare providers (individuals), this call to InscriptionService (or ManageInscription service) is not mandatory because these users do not receive mutations.
4. If at least one SSIN is returned in the PersonService response (one or several person(s) matching with the corresponding criteria):
 - a. If one SSIN of the list is the concerned person:
The user must select the concerned SSIN and send a request to the service PersonService to complete the information about this person. If the user wants to receive mutations regarding him/her, he needs to call the service InscriptionService³ (or ManageInscription service) with this SSIN in input in order to receive the mutations.

Remark: For healthcare providers (individuals), this call to InscriptionService (or ManageInscription service) is not mandatory because these users do not receive mutations. In case of more than one SSIN concerns the person searched, please refer to next point 6.1.1.
 - b. If no SSIN returned in the response refers to the concerned person:
The user is not able to create himself a new BIS number for a namesake. Please refer to next point 6.1.1

6.1.1 Exceptions management

The following functionalities are not available via this web service. The user must contact the Identification Service of the CBSS (via the generic email address identification@ksz-bcss.fgov.be), which will analyse the request and perform the required actions.

6.1.1.1 Update the data of a SSIN

If the user made a mistake (ea. a typing error) during the creation of a “BIS number”, he must contact the CBSS via e-mail as mentioned above giving the following information:

- SSIN, name, first name concerned;
- Name of the data to be modified;
- The registered value and the ‘new’ corrected value;
- The reason (free text) why the user thinks an update is required.

This can also be used if the user thinks an existing SSIN (from the National or a CBSS registry) should be updated (e.g. after a phonetical search).

² More details in the cookbook PersonService.

³ More details in the cookbook ManageInscription



6.1.1.2 Cancel a “BIS nummer”

If the user created a “BIS nummer” by mistake, he must contact the CBSS via e-mail as mentioned above with the following information:

- SSIN (“BIS nummer”), name, first name concerned;
- The reason (free text) why the user thinks an update is required.

6.1.1.3 Merge of 2 or more SSIN (NR and/or BIS nummer)

If, after a phonetical search, the user thinks that 2 or more returned SSIN concern the same person, he can also contact the CBSS via e-mail as mentioned above with the following information:

- List of : SSIN (“BIS nummer”), name, first name concerned;
- The reason (free text) why the user thinks a fusion is necessary.

6.1.1.4 Create namesake (homonym)

Two different persons may have the same birthdate, name and first name. In this case, it is impossible for the user to create a “BIS nummer” for a namesake, in case the existing SSIN does not concern the same person.

In order to create a new BIS number for this case, the user must contact the CBSS via e-mail as mentioned above giving the information mentioned at point 7.1 .



7. Description of xml messages

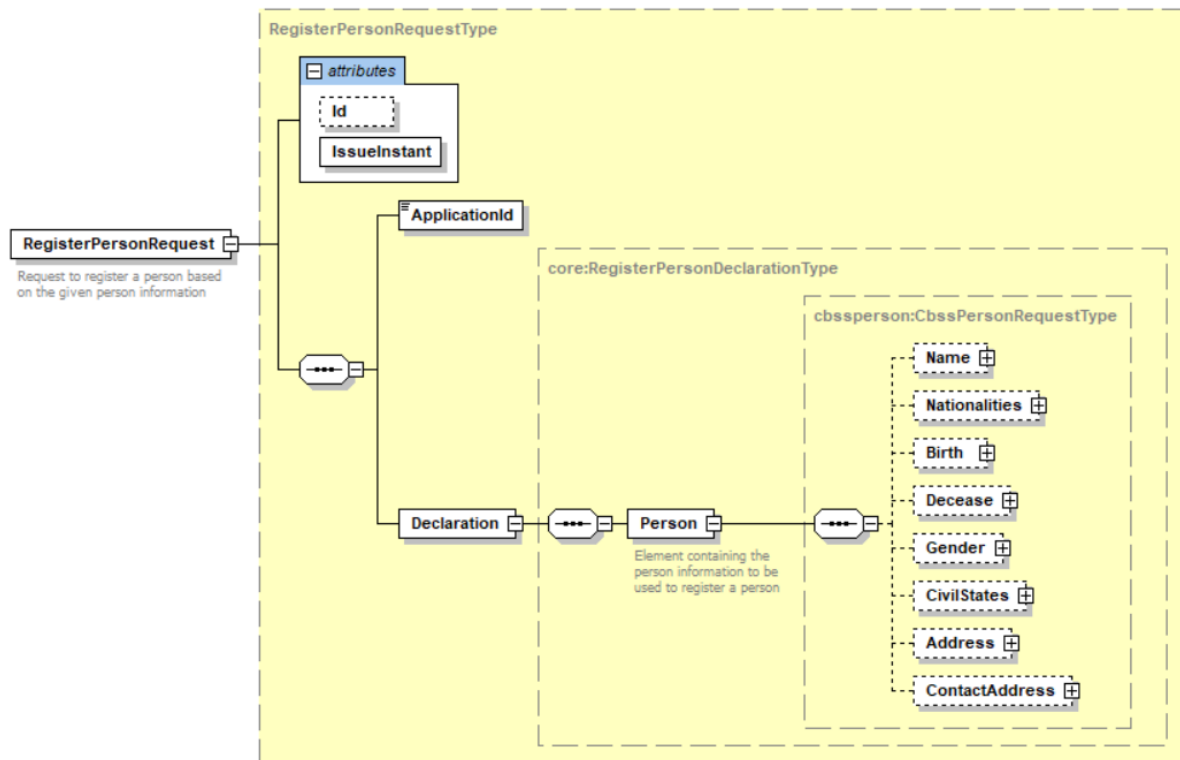
7.1 registerPerson

The operation allows creating a new SSIN BIS with some specified personal data. These data must meet some minimal syntactic and semantic criteria. The most important conditions are:

- The personal data of the individual are unknown in the national registry or BIS registry. In case this phonetic search gives results, they are returned.
- The new person must comply with at least one set of Minimum Identification Data (MID):
 - Name
 - Firstname
 - Birth year
 - NationalityCode
 - MID based on birth:
 - Birthdate (Complete)
 - BirthPlace\CountryCode or BirthPlace\CountryIsoCode
 - BirthPlace\CityCode or BirthPlace\CityName
 - Gender\GenderCode
 - Gender\InceptionDate
 - BirthPlace\CountryName (optional)
 - MID based on an contact address in Belgium
 - ContactAddress\CountryCode or ContactAddress\CountryIsoCode
 - ContactAddress\CityCode
 - ContactAddress\StreetName
 - ContactAddress\TypeCode
 - ContactAddress\InceptionDate
 - ContactAddress\CountryName (optional)
 - ContactAddress\CityName (optional)
 - ContactAddress\PostalCode (optional)
 - MID based on a residential address
 - ResidentialAddress\CountryCode or ResidentialAddress\CountryIsoCode
 - ResidentialAddress\CityName
 - ResidentialAddress\StreetName
 - ResidentialAddress\InceptionDate
 - ResidentialAddress\CountryName (optional)
 - ResidentialAddress\PostalCode (optional)
 - ResidentialAddress\HouseNumber (optional)
 - ResidentialAddress\BoxNumber (optional)
- No validation error may occur when registering the data. If a data is wrong, the entire registration is rejected. The list of country codes can be downloaded here:
 - Fr : <https://statbel.fgov.be/fr/propos-de-statbel/methodologie/classifications/codes-pays>
 - Nl : <https://statbel.fgov.be/nl/over-statbel/methodologie/classificaties/landencodes>



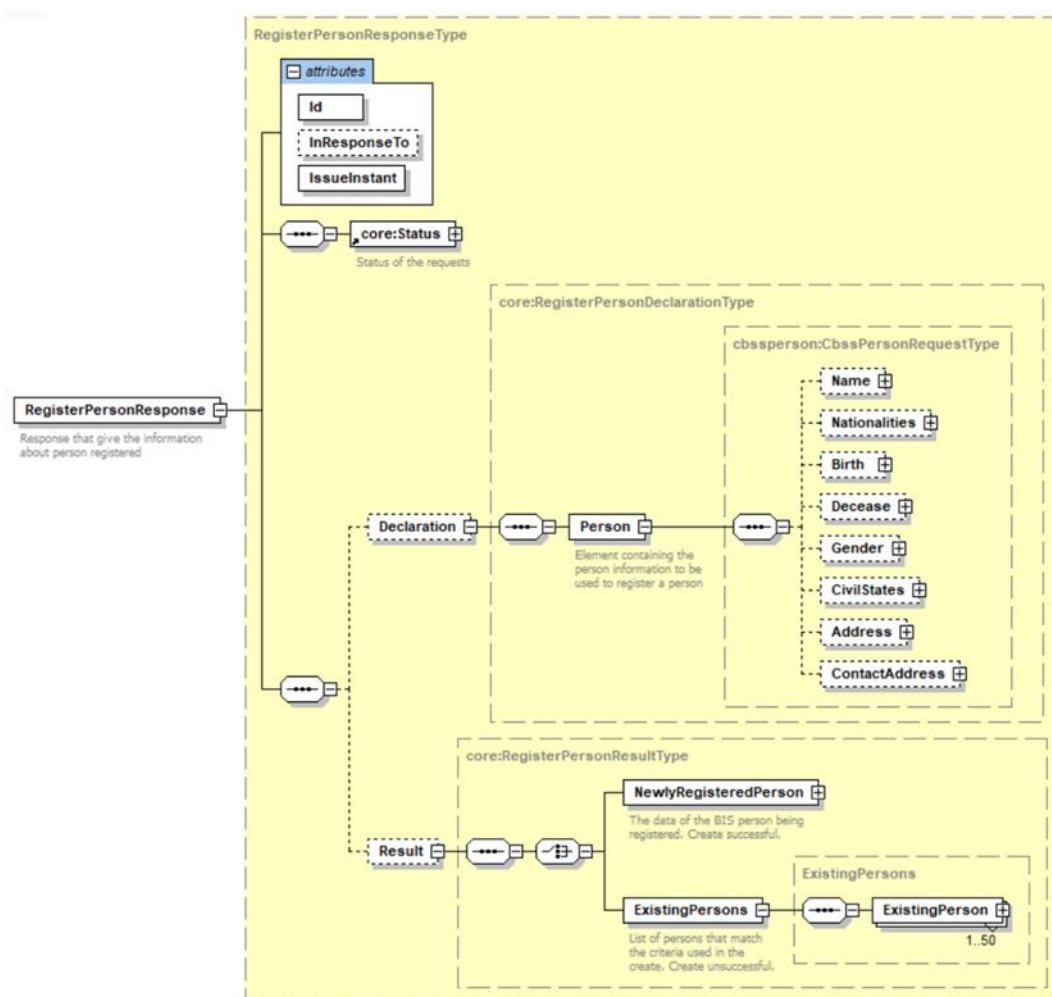
7.1.1 Request



Field name	Description
@Id	This attribute contains the number identifying the request Remark: this field is optional but we recommend adding an identifier to facilitate the follow-up in case of business/technical issue
@issue Instant	This attribute contains the timestamp of the request
ApplicationID	The ApplicationID contains a number given by eHealth identifying the organization and the authorization given for a certain purpose to this organization. (Same format as an SSIN). <u>Healthcare institution</u> The value is the number given by the sectoral committee. <u>Healthcare professional</u> The value must be '0'.
Declaration/Name	This block contains information about the name of the person to register (see section 7.2.1)
Declaration/Nationalities	This block contains information about the list of nationalities of the person to register (see section 7.2.2)
Declaration/Birth	This block contains information about the date and the location of the birth (see section 7.2.3)
Declaration/Decease	This block contains information about the decease of the person (see section 7.2.4)

Declaration/Gender	This block contains information about the gender of the person (see section 7.2.5)
Declaration/CivilStates	This block contains information about the civil state of the person (see section 7.2.6)
Declaration/ResidentialAddress	This block contains information about the residential address of the person (see section 7.2.7)
Declaration/ContactAddress	This block contains information about the contact address of the person (see section 7.2.8)

7.1.2 Response



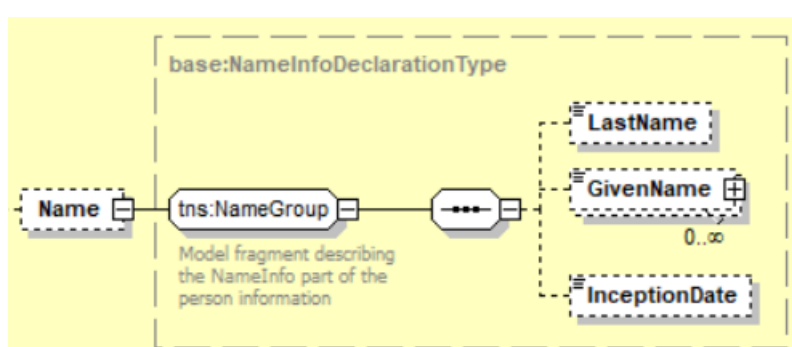
Field name	Description
@Id	This attribute contains the number identifying the response
@InResponseTo	This attribute contains the number identifying the request
@IssueInstant	This attribute contains the timestamp of the response



Status	This block contains information about the status of the response returned (see section 10)
NewlyRegisteredPerson	This block is returned if the individual for whom you submitted personal data in the request was not known in the national registry or BIS registry. This individual was registered and his information is returned in this block (see section 7.2.9)
ExistingPersons	This block is returned if one(several) person(s) was(were) retrieved in the national registry or BIS registry with the same personal data submitted in the request. In this case no registration was done. (see section 7.2.10)

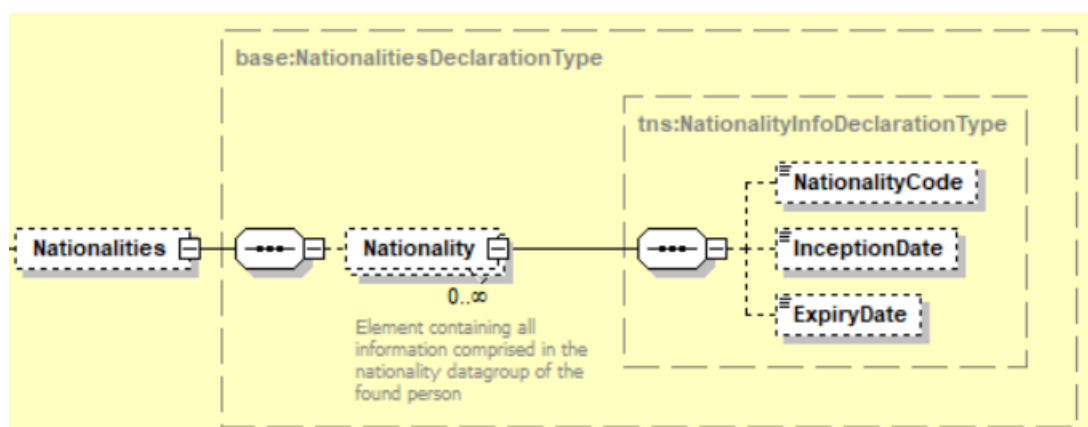
7.2 Used Types

7.2.1 NameInfoDeclarationType



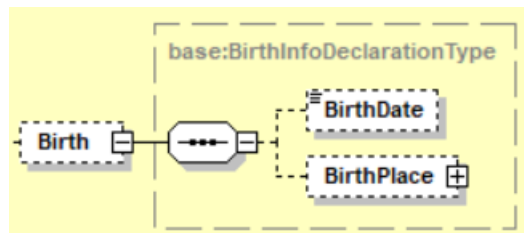
Field name	Description
Name/Lastname	This field contains the last name of the person Important: the first letter must be in Uppercase
Name/GivenName[@sequence]	This field contains the first name and the middle names of the person Important: the first letter must be in Uppercase
InceptionDate	This field contains the inception date of the information

7.2.2 NationalitiesDeclarationType



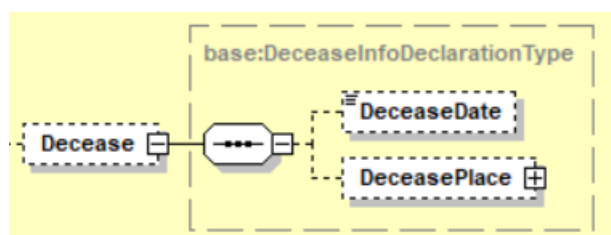
Field name	Description
NationalityCode	This field contains the NIS nationality code NB: The authorized values are from 0 to 999
InceptionDate	This field contains the inception date of the information
ExpiryDate	The field contains the expiration date of the information

7.2.3 BirthInfoDeclarationType



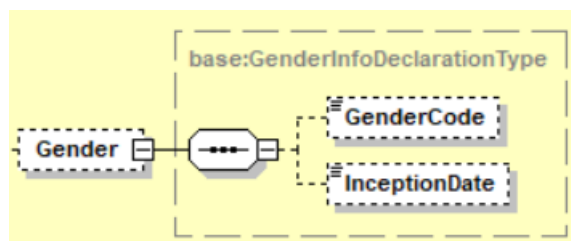
Field name	Description
Birthdate	This field contains the birth date of the person. In some cases, the value can be incomplete. By example: 1979-00-00
Birthplace	This block contains the information about the birth place (see section 7.2.23)

7.2.4 DeceaseInfoDeclarationType



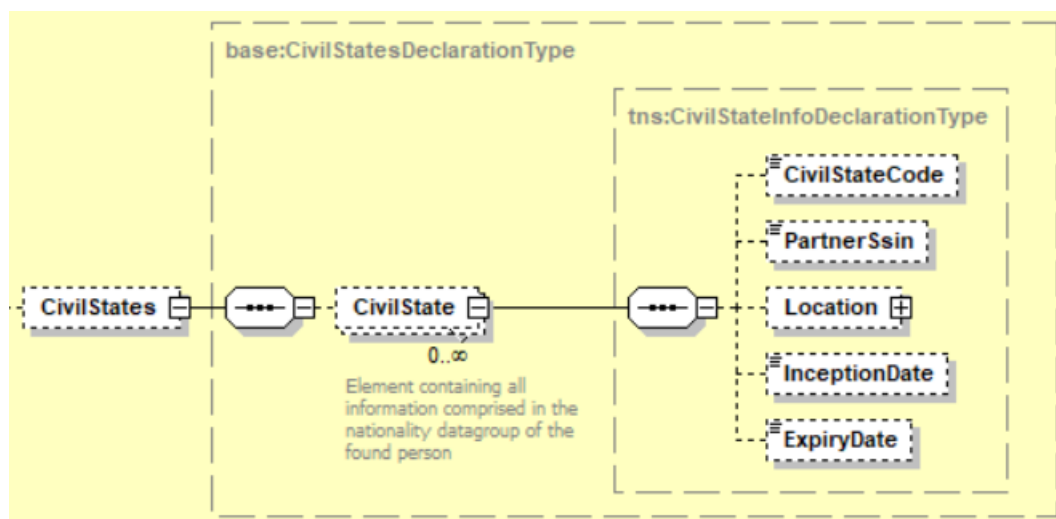
Field name	Description
DeceaseDate	This field contains the decease date of the person
DeceasePlace	This field contains the decease place of the person (see section 7.2.23)

7.2.5 GenderInfoDeclarationType



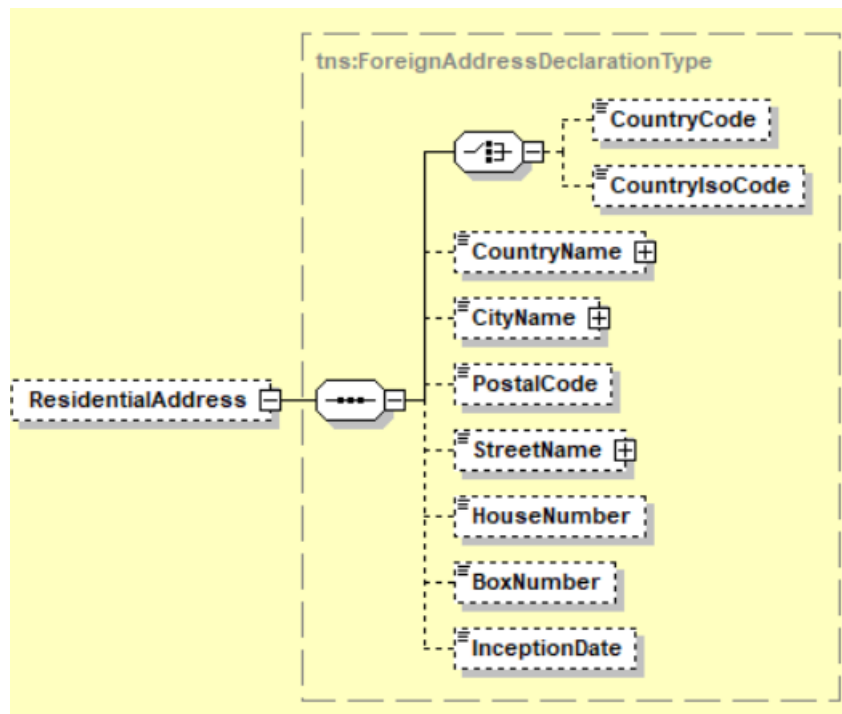
Field name	Description
GenderCode	This field contains the sex of the person. Values are: <ul style="list-style-type: none"> • 'M': Male • 'F': Female
InceptionDate	This field contains the inception date of the information

7.2.6 CivilStatesDeclarationType



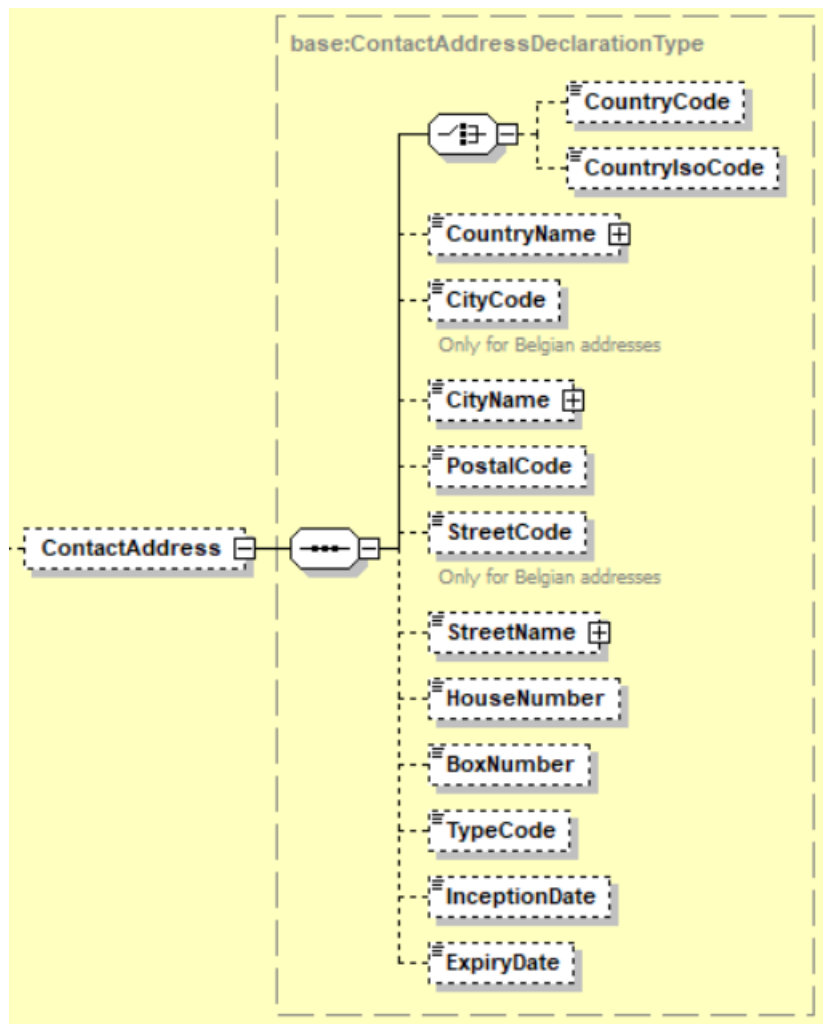
Field name	Description
CivilstateCode	This field contains the civil state code of the person
PartnerSsin	This field contains the partner SSIN
Location	This field contains the place of the civil state of the person (see section)
InceptionDate	This field contains the inception date of the information
ExpiryDate	The field contains the expiration date of the information

7.2.7 ForeignAddressDeclarationType



Field name	Description
CountryCode	This field contains the NIS country code of the residential address NB: The authorized values are from 0 to 999
CountryIsoCode	The 2-letter ISO code of the country (ISO 3166 alpha-2)
CountryName	These fields contain the names of the country in different languages
CityName	These fields contain the names of the city in different languages Remark: maximum 1 CityName (in the language of your choice) is authorized in the ResidentialAddress of the request
PostalCode	This field contains the postal code of the municipality
StreetName	These fields contain the names of the street in different languages. Remark: maximum 1 StreetName (in the language of your choice) is authorized in the ResidentialAddress of the request
HouseNumber	This field contains the house number
BoxNumber	This field contains the box number
InceptionDate	This field contains the inception date of the information
ExpiryDate	This field contains the expiration date of the information

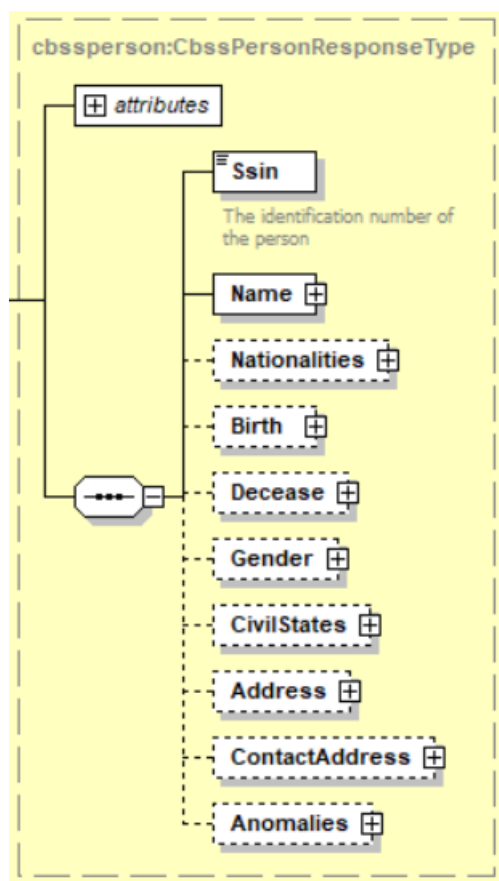
7.2.8 ContactAddressDeclarationType



Field name	Description
CountryCode	This field contains the NIS country code of the residential address NB: The authorized values are from 0 to 999
CountryIsoCode	The 2-letter ISO code of the country (ISO 3166 alpha-2)
CountryName	These fields contain the names of the country in different languages
CityName	These fields contain the names of the city in different languages. Remark: maximum 1 CityName (in the language of your choice) is authorized in the ContactAddress of the request
PostalCode	This field contains the postal code of the municipality
StreetCode	This field contains the NIS street code
StreetName	These fields contain the names of the street in different languages. Remark: maximum 1 StreetName (in the language of your choice) is authorized in the ResidentialAddress of the request
HouseNumber	This field contains the house number

BoxNumber	This field contains the box number
TypeCode	This field contains the type code contact address
InceptionDate	This field contains the inception date of the information
ExpiryDate	This field contains the expiration date of the information

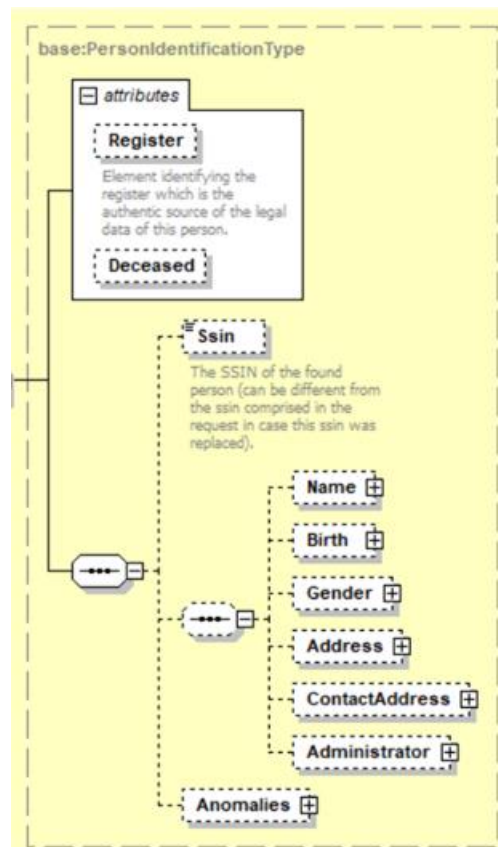
7.2.9 CbssPersonResponseType



Field name	Description
@Register	This field contains the identifier of the registry which is the authentic source of the legal data of the person. Value are <ul style="list-style-type: none"> 'RN' : National registry 'RAD' : Radiated registry 'BIS' : BIS registry 'RAN' : Cancelled registry
@RegisterInceptionDate	This attribute contains the date the person has been registered in register
Ssin	The BIS number created (NewlyRegisteredPerson) or the SSIN/BIS number of the found person (ExistingPerson)
Name	This block contains information about the name of the registered/found person (see section 7.2.11)
Nationalities	This block contains information about the list of nationalities of the registered/found person(see section 7.2.12)

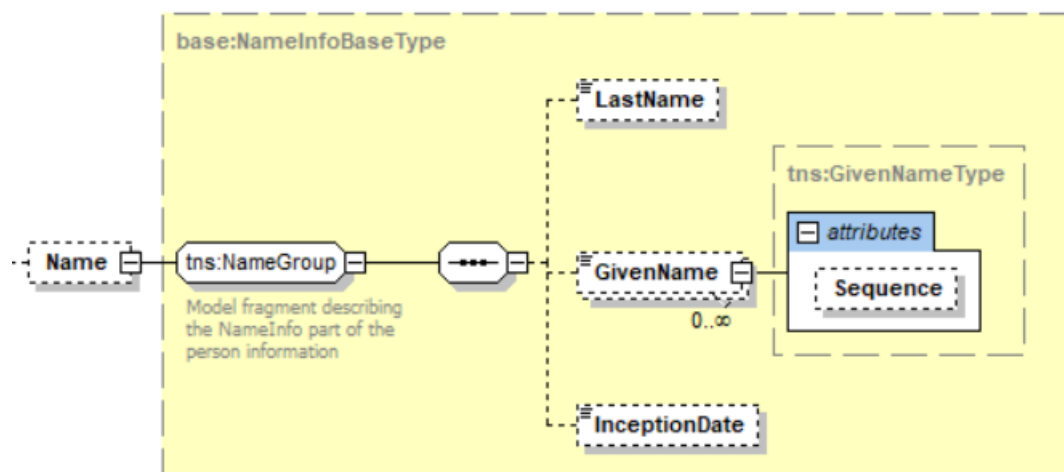
Birth	This block contains information about the date and the location of birth (see section 7.2.13)
Decease	This block contains information about the decease of the person (see section 7.2.14)
Gender	This block contains information about the gender of the person (see section 7.2.15)
CivilStates	This block contains information about the civil state of the person (see section 7.2.16)
Address	This block contain information about the address of the person (see section 7.2.17)
ContactAddress	This block contains information about the contact address of the person (See section 7.2.21)
Anomalies	This block contains information about data inconsistency returned by KSZ-BCSS (See section 7.2.28)

7.2.10 PersonIdentificationType



Field name	Description
@Register	This field contains the identifier of the registry which is the authentic source of the legal data of the person. Value are <ul style="list-style-type: none"> • 'RN' : National registry • 'RAD' : Radiated registry • 'BIS' : BIS registry • 'RAN' : Cancelled registry
@Deceased	This attribute has the value 'TRUE' if the person is deceased. Otherwise, the value is 'FALSE'
Ssin	The BIS number created (NewlyRegisteredPerson) or the SSIN/BIS number of the found person (ExistingPerson)
Name	This block contains information about the name of the registered/found person (see section 7.2.11)
Birth	This block contains information about the date and the location of birth (see section 7.2.13)
Gender	This block contains information about the gender of the person (see section 7.2.15)
Address	This block contain information about the address of the person (see section 7.2.17)
ContactAddress	This block contains information about the contact address of the person (see section 7.2.21)
Administrator	The block contains information about the data manager (municipality or country) (see section 7.2.22)
Anomalies	This block contains information about data inconsistency returned by KSZ-BCSS (See section 7.2.28)

7.2.11 NameInfoBaseType

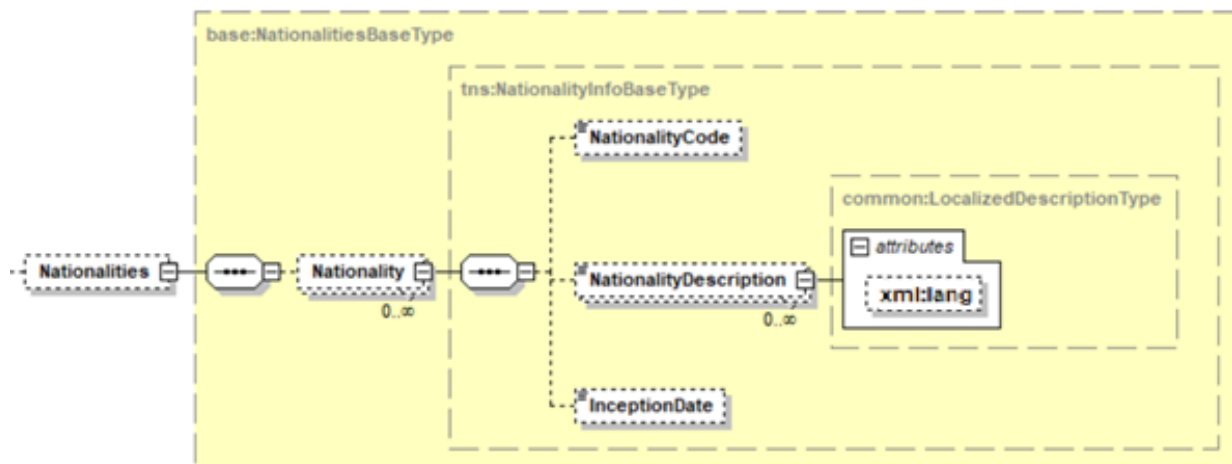


Field name	Description
Name/Lastname	This field contains the last name of the person
Name/GivenName[@sequence]	This field contains the first name and the middle names of the person



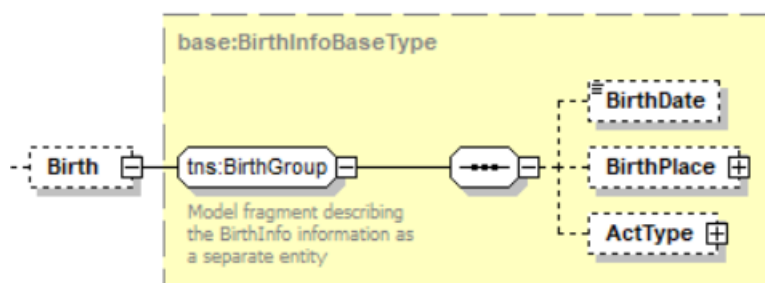
InceptionDate	This field contains the inception date of the information
---------------	---

7.2.12 NationalitiesBaseType



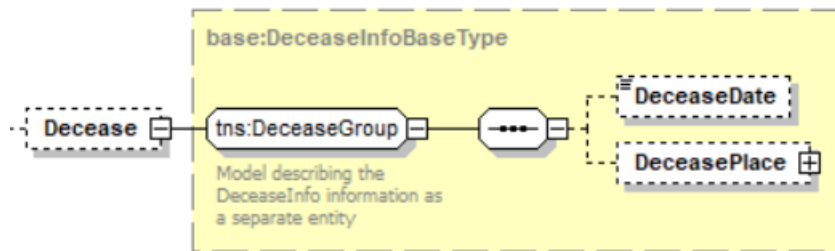
Field name	Description
NationalityCode	This field contains the NIS nationality code NB: The authorized values are from 0 to 999
NationalityDescription	This field contains the description of the nationality in different languages
InceptionDate	This field contains the inception date of the information

7.2.13 BirthInfoBaseType



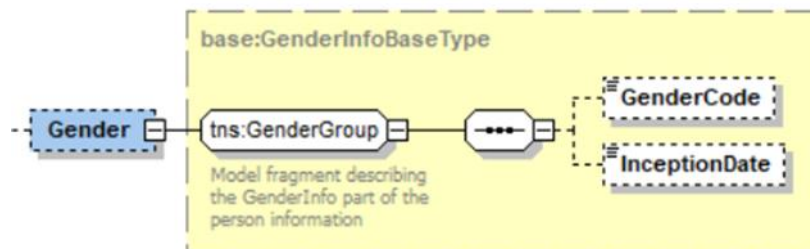
Field name	Description
Birthdate	This field contains the birth date of the person. In some cases, the value can be incomplete. By example: 1979-00-00
Birthplace	This field contains the information about the birth place (see section 7.2.23)
ActType	This field contains the information about the birth evidence (see section 7.2.27)

7.2.14 DeceaseInfoBaseType



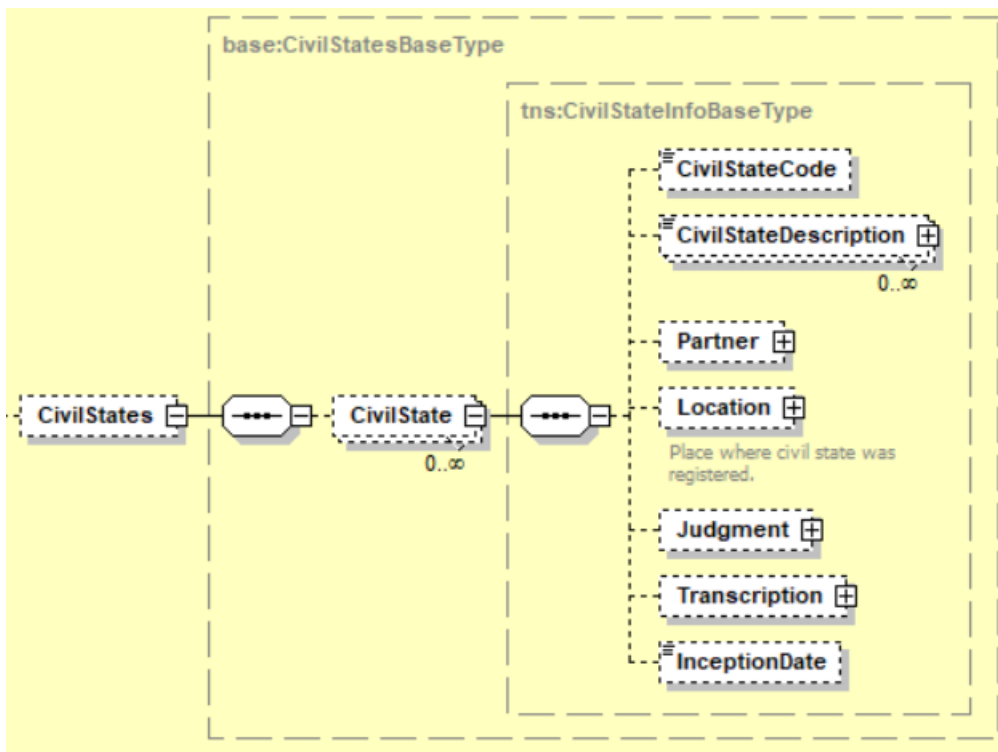
Field name	Description
DeceaseDate	This field contains the decease date of the person
DeceasePlace	This field contains the decease place of the person (see section: 7.2.23)

7.2.15 GenderInfoBaseType



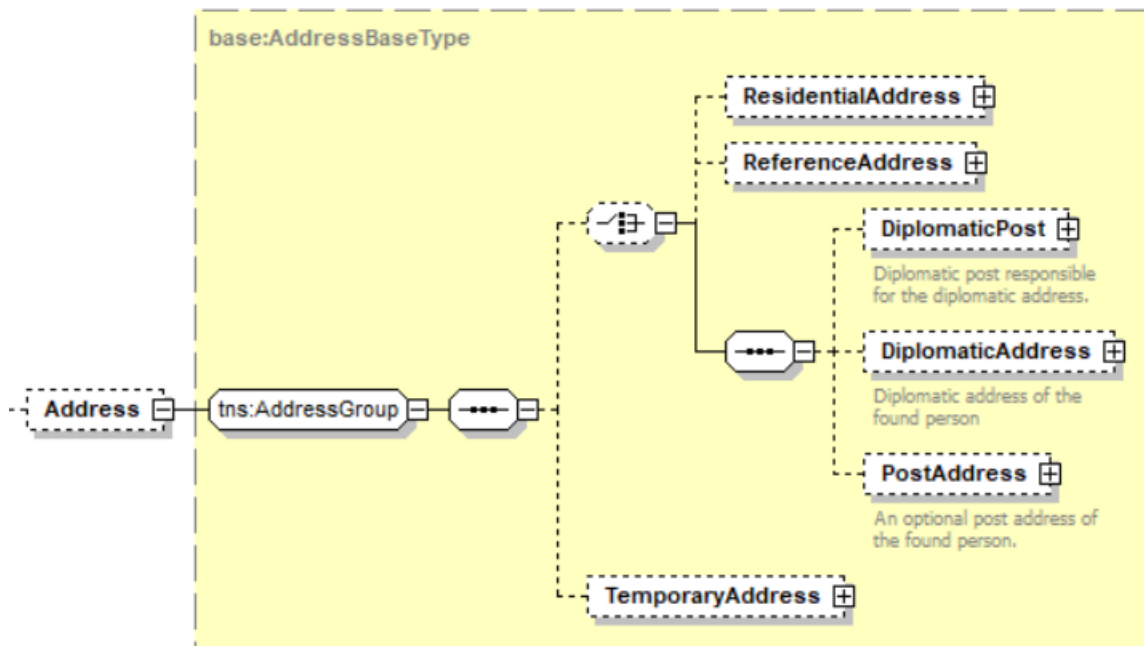
Field name	Description
GenderCode	This field contains the sex of the person. Values are: <ul style="list-style-type: none"> 'M': Male 'F': Female
InceptionDate	This field contains the inception date of the information

7.2.16 CivilStatesBaseType



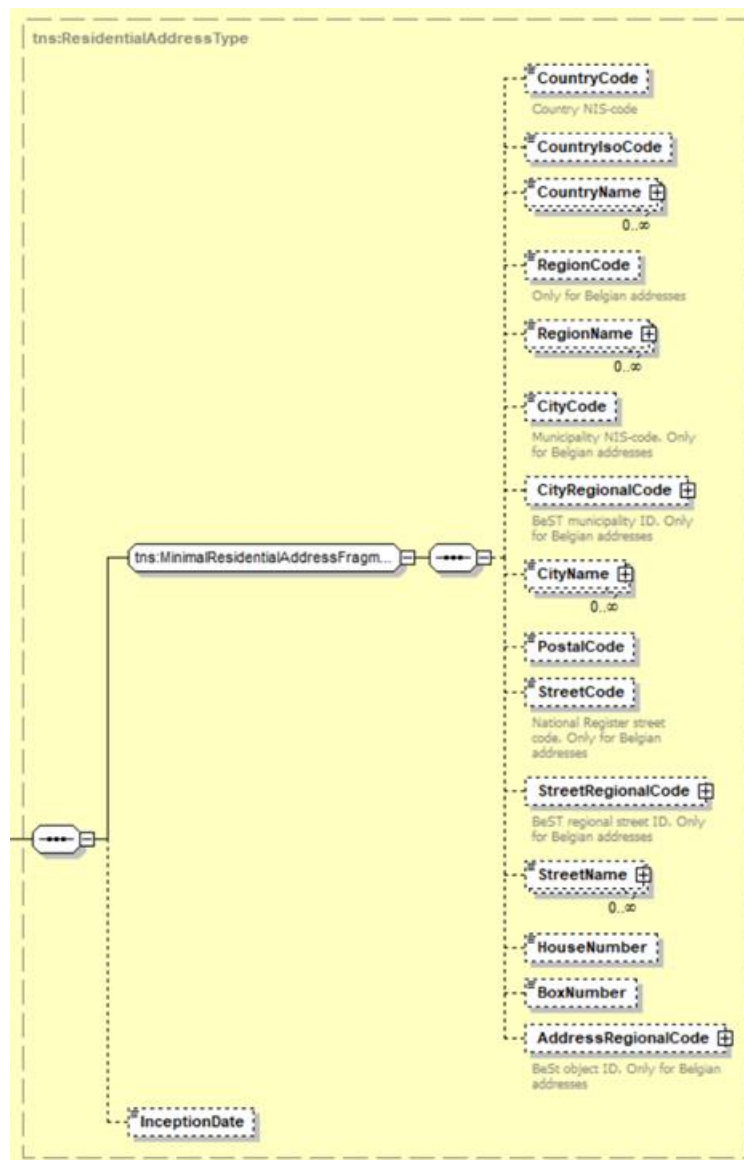
Field name	Description
CivilstateCode	This field contains the civil state code of the person
CivilstateDescription	This field contains the description of civil state in different languages
Partner	This field contains the Information about partner (see section 7.2.24)
Location	This field contains the place of the civil state of the person (see section 7.2.23)
Judgment	This field contains the data relating to judgment (see section 7.2.25)
Transcription	This field contains the data relating to the transcription of judgment (see section 7.2.26)
CivilState/InceptionDate	This field contains the inception date of the information

7.2.17 AddressBaseType



Field name	Description
ResidentialAddress	This field contains the residential address of a person in Belgium or abroad (see section 7.2.18)
ReferenceAddress	This field contains the reference address of a person in Belgium or abroad(see section 7.2.18)
DiplomaticPost	This field contains the data of the diplomatic address of a person where the address abroad has been registered (see section 7.2.20)
DiplomaticAddress	This field contains the address registered via the diplomatic post (see section: 7.2.19)
PostAddress	This field contains the postal address provided for people residing abroad (see section: 7.2.19)
TemporaryAddress	This field contains the temporary address of a person in Belgium or abroad (see section: 7.2.19)

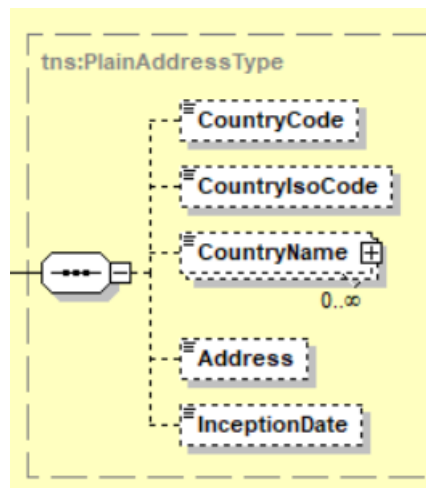
7.2.18 ResidentialAddressType



Field name	Description	Abroad	Belgian Current	Belgian BeST
CountryCode	Country code of the country (NIS code)	✓	150	150
CountryIsoCode	The 2-letter ISO code of the country (ISO 3166 alpha-2)	✓	✓	✓
CountryName	Country name	✓	✓	✓
RegionCode	Region code of the region			✓
RegionName	Region name			✓
CityCode	Municipality code (NIS code)		✓	
CityRegionalCode	Municipality name			✓

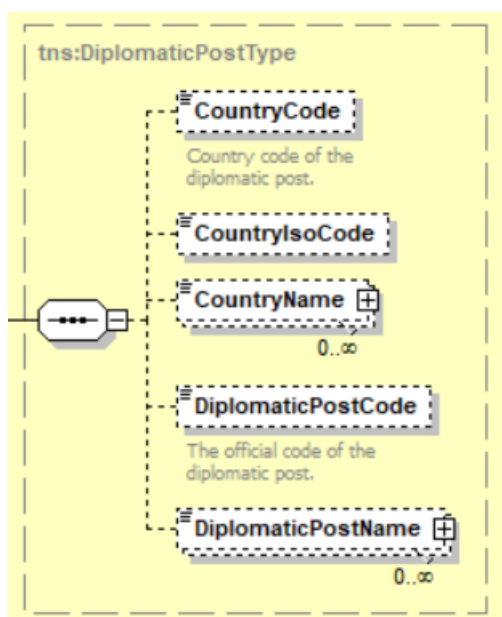
CityName	City name	✓	✓	✓
PostalCode	Postal code	✓	✓	✓
StreetCode	Street code		✓	
StreetRegionalCode	Street code assigned by National Registry			✓
StreetName	Street name	✓	✓	✓
HouseNumber	House number	✓	✓	✓
BoxNumber	Box number	✓	✓	✓
AddressRegionalCode	Unique identification number of the address			✓
InceptionDate	Data inception date	✓	✓	✓

7.2.19 PlainAddressType



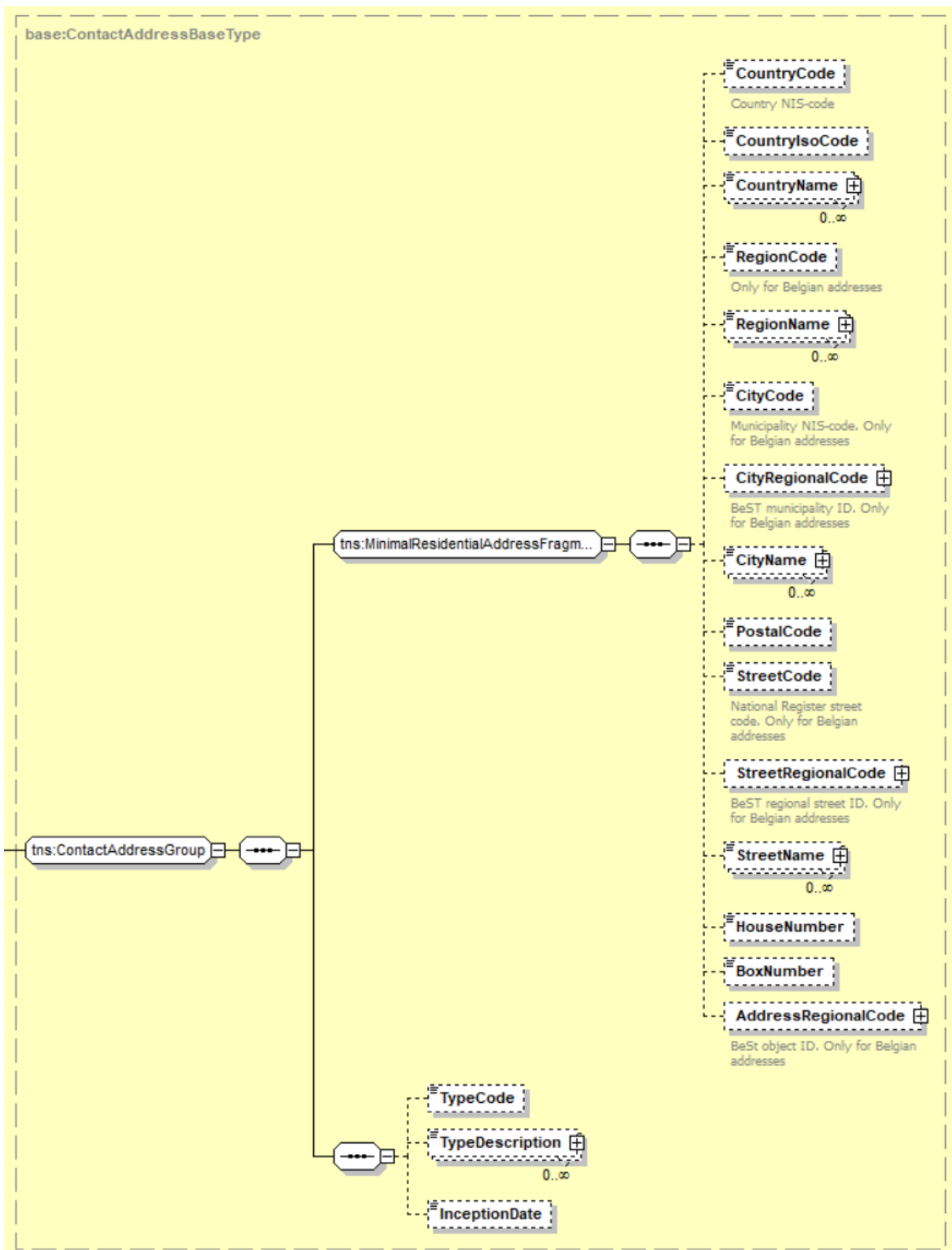
Field name	Description	Abroad	Belgian Current	Belgian BeST
CountryCode	Country code of the country (NIS code)	✓	150	150
CountryIsoCode	The 2-letter ISO code of the country (ISO 3166 alpha-2)	✓	✓	✓
CountryName	Country name	✓	✓	✓
Address(unstructured)	Address unstructured	✓	✓	✓
InceptionDate	Data inception date	✓	✓	✓

7.2.20 DiplomaticPostType



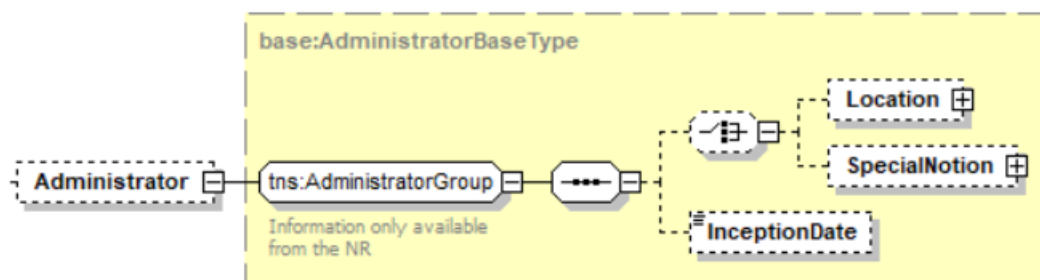
Field name	Description	Abroad	Belgian Current	Belgian BeST
countryCode	Country code of the country (NIS code)	✓	150	150
countryIsoCode	The 2-letter ISO code of the country (ISO 3166 alpha-2)	✓	✓	✓
countryName	Country name	✓	✓	✓
diplomaticPostCode	NIS diplomatic post code	✓	✓	✓
diplomaticPostName	Description diplomatic post code	✓	✓	✓

7.2.21 ContactAddressBaseType



Field name	Description	Abroad	Belgian Current	Belgian BeST
CountryCode	Country code of the country (NIS code)	✓	150	150
CountryIsoCode	The 2-letter ISO code of the country (ISO 3166 alpha-2)	✓	✓	✓
CountryName	Country name	✓	✓	✓
RegionCode	Region code of the region			✓
RegionName	Region name			✓
CityCode	Municipality code (NIS code)		✓	
CityRegionalCode	Municipality name			✓
CityName	City name	✓	✓	✓
PostalCode	Postal code	✓	✓	✓
StreetCode	Street code		✓	
StreetRegionalCode	Street code assigned by National Registry			✓
StreetName	Street name	✓	✓	✓
HouseNumber	House number	✓	✓	✓
BoxNumber	Box number	✓	✓	✓
AddressRegionalCode	Unique identification number of the address			✓
TypeCode	Type code contact address	N.A	N.A	N.A
TypeDescription	Type code description	N.A	N.A	N.A
InceptionDate	Data inception date	✓	✓	✓

7.2.22 AdministratorBaseType

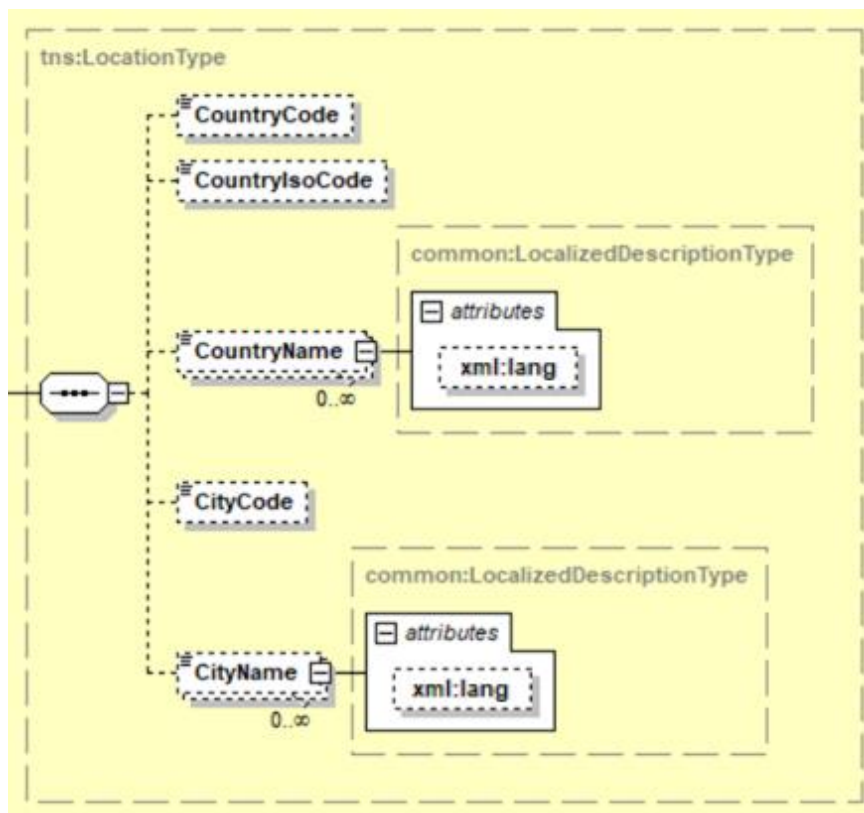


Field name	Description
Location	This block contains the municipality or country location (see section: 7.2.23)



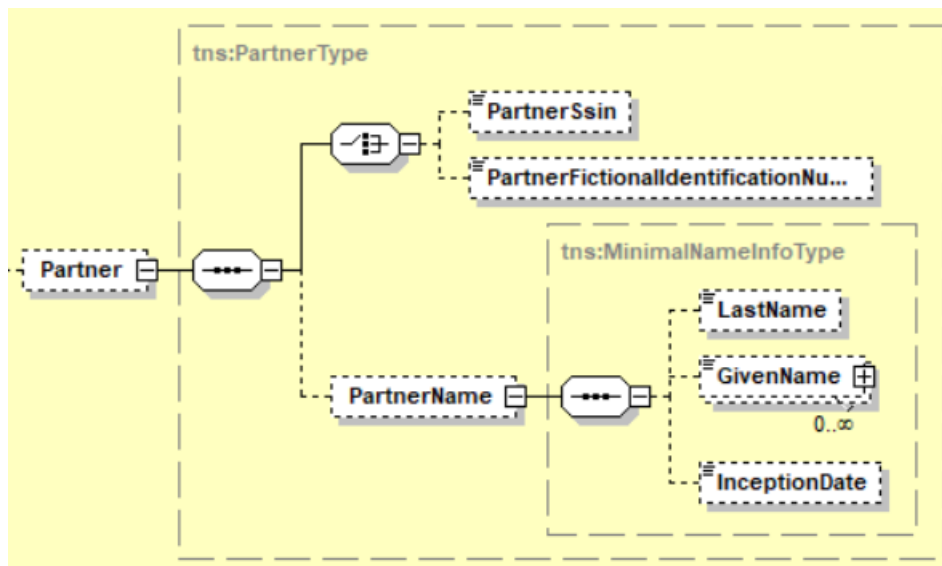
SpecialNotion	This field contains the special code if it is not a "normal" manager. This is usually a code of radiation from the National Registry
InceptionDate	This field contains the inception date of the information

7.2.23 LocationType



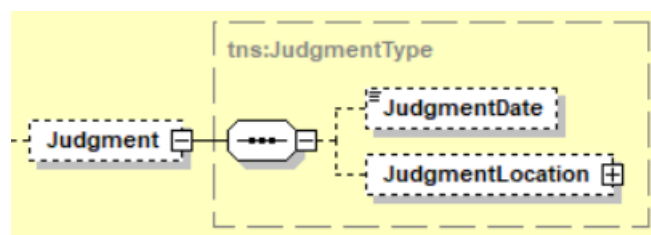
Field name	Description
CountryCode	This field contains the country code of the country (NIS code)
CountryIsoCode	This field contains the 2-letter ISO code of the country (ISO 3166 alpha-2)
CountryName	This field contains the name of the country in different languages
CityCode	This field contains the municipality code (NIS code)
CityName	This field contains the municipality name in different languages

7.2.24 PartnerType



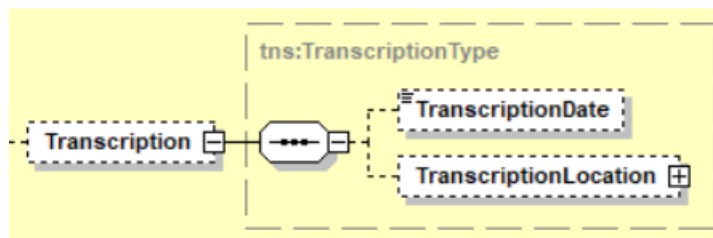
Field name	Description
PartnerSsin	This field contains the SSIN number of the partner
PartnerFictionalIdentificationNumber	This field contains the partner fictional identification number Remark: if partner has no identification number in national registry (RN)
PartnerName/LastName	This field contains the partner last name
PartnerName/GivenName[@sequence]	This field contains the partner first names
InceptionDate	This field contains the inception date of the information

7.2.25 JudgmentType



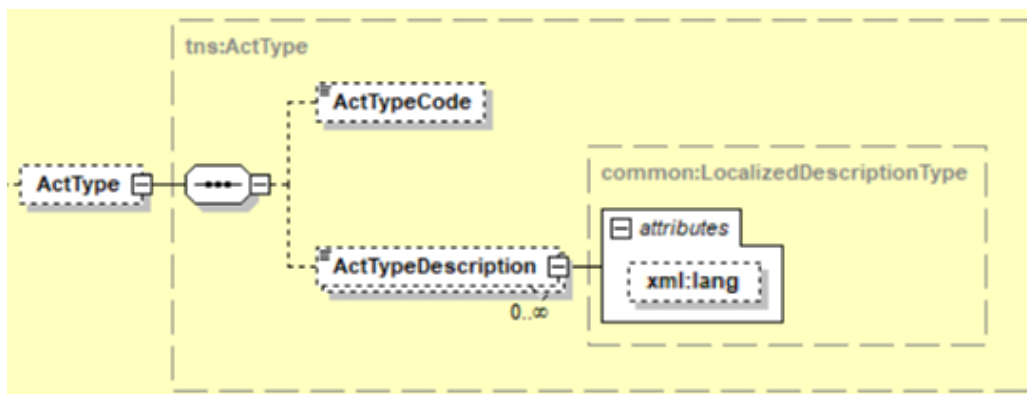
Field name	Description
JudgmentDate	This field contains the judgment date
JudgmentLocation	This field contains the judgment location (see section: 7.2.23)

7.2.26 TranscriptionType



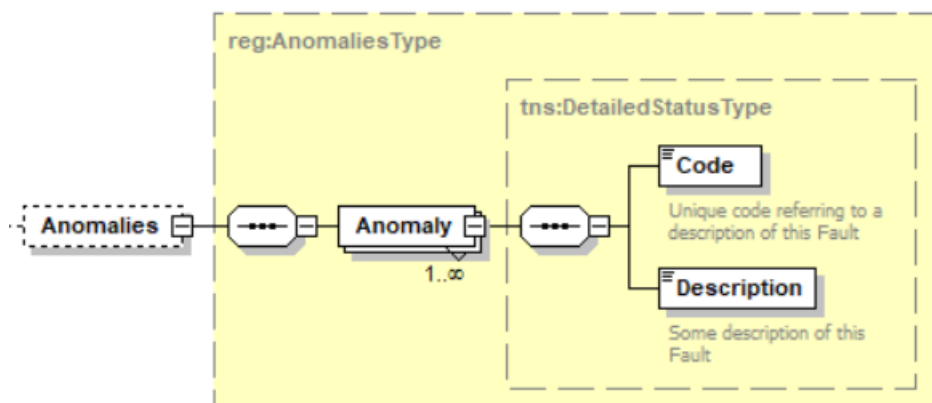
Field name	Description
TranscriptionDate	This field contains the judgment transcription date
TranscriptionLocation	This field contains the judgment transcription location (see section: 7.2.23)

7.2.27 ActType



Field name	Description
ActTypeCode	This field contains the act type code
ActTypeDescription	This field contains the act type description

7.2.28 AnomaliesType



Field name	Description
Anomaly/Code	This field contains the code anomaly
Anomaly/Description	This field contains the code anomaly description (in english)



8. Risks and security

8.1 Risks & safety

8.2 Security

8.2.1 Business security

In case the development adds an additional use case based on an existing integration, the eHealth platform must be informed at least one month in advance with a detailed estimate of the expected load. This will ensure an effective capacity management.

In case of technical issues on the WS, the partner may obtain support from the contact center (see Chap 3)

In case the eHealth platform finds a bug or vulnerability in its software, we advise the partner to update his application with the newest version of the software within 10 business days.

In case the partner finds a bug or vulnerability in the software or web service that the eHealth platform delivered, he is obliged to contact and inform us immediately. He is not allowed to publish this bug or vulnerability in any case.

8.2.2 Web service

WS security used in this manner is in accordance with the common standards. Your call will provide:

- SSL one way
- Time-to-live of the message: one minute.
- Signature of the timestamp, body and binary security token. This will allow the eHealth platform to verify the integrity of the message and the identity of the message author.
- No encryption on the message.

8.2.3 The use of username, password and token

The username, password and token are strictly personal. Partners and clients are not allowed to transfer them. Every user takes care of his username, password and token and he is forced to confidentiality of it. Moreover, every user is responsible of every use, which includes the use by a third party, until the inactivation.



9. Test and release procedure

9.1 Procedure

This chapter explains the procedures for testing and releasing an application in acceptance or production.

9.1.1 Initiation

If you intend to use the eHealth platform service, please contact info@ehealth.fgov.be. The project department will provide you with the necessary information and mandatory documents.

9.1.2 Development and test procedure

You have to develop a client in order to connect to our WS. Most of the required info about the integration is published on the portal of the eHealth platform.

Upon request, the eHealth platform provides you in some cases, with a mock-up service or test cases in order for you to test your client before releasing it in the acceptance environment.

9.1.3 Release procedure

When development tests are successful, you can request to access the acceptance environment of the eHealth platform. From this moment, you start the integration and acceptance tests. The eHealth platform suggests testing during minimum one month.

After successful acceptance tests, the partner sends his test results and performance results with a sample of “eHealth request” and “eHealth answer” by email to his point of contact at the eHealth platform.

Then the eHealth platform and the partner agree on a release date. The eHealth platform prepares the connection to the production environment and provides the partner with the necessary information. During the release day, the partner provides the eHealth platform with feedback on the test and performance tests.

For further information and instructions, please contact: integration-support@ehealth.fgov.be.

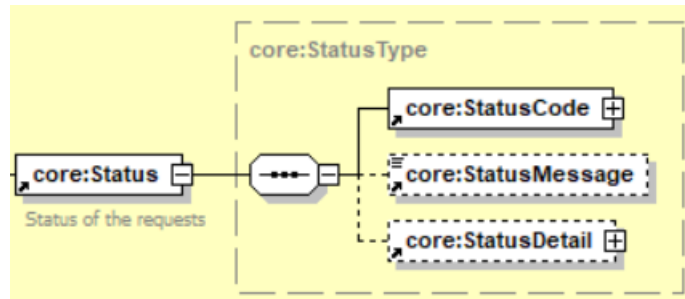
9.1.4 Operational follow-up

Once in production, the partner using the eHealth platform service for one of his applications will always test first in the acceptance environment before releasing any adaptations of his application in production. In addition, he will inform the eHealth platform on the progress and test period.



10. Status

When you call the service, the information about the success or error from request is contained in a Status element.



Field name	Description
StatusCode	This field contains the status code
StatusMessage	This field contains the description of the status code
StatusDetail	This field contains additional information about the status

10.1 Success response

In case of success response, the element status will contained the following information:

```
<ns2:Status>
  <ns2:StatusCode Value="urn:be:fgov:ehhealth:2.0:status:Success"/>
</ns2:Status>
```

10.2 Business errors

In the case of a business error, the element status will contain the following information:

10.2.1 searchPersonBySsin

Error Description	Element eHealth	Solution
ApplicationID is malformed	<pre><Status> <StatusCode Value="urn:be:fgov:ehhealth:2.0:status:Requester"> <StatusCode Value="urn:be:fgov:ehhealth:2.0:status:InvalidInput"> </StatusCode> <StatusMessage>The applicationId is malformed</StatusMessage> </Status></pre>	<p>The applicationID is not valid. Please use a correct application Id in your request.</p>
No right configured to call the web service	<pre><Status> <StatusCode Value="urn:be:fgov:ehhealth:2.0:status:Requester"> <StatusCode Value="urn:be:fgov:ehhealth:2.0:status:RequestDenied"></pre>	<p>The applicationID is not allowed to call the web service. Please</p>



	<pre></StatusCode> <StatusMessage>No right configured to call the web service </StatusMessage> </Status></pre>	refer to the helpdesk.
Access to this operation is not allowed with the given legal context and credentials	<pre><Status> <StatusCode Value="urn:be:fgov.ehealth.2.0:status:Requester"> <StatusMessage>Access to this operation is not allowed with the given legal context and credentials</StatusMessage> </StatusCode> </Status></pre>	Request to service is forbidden. Please refer to the helpdesk.
Cause unknown	<pre><Status> <StatusCode Value="urn:be:fgov.ehealth.2.0:status:Requester "> <StatusCode Value="urn:be:fgov.ehealth.2.0:status:Indeterminate"> </StatusCode> <StatusMessage>Cause unknown</StatusMessage> </Status></pre>	Please refer to the helpdesk.

10.3 Technical errors

In the case of a technical error, a SOAP fault exception is returned (see table below) with the following status:

```
<ns2:Status>
  <ns2:StatusCode Value="urn:be:fgov.ehealth.2.0:status:Responder"/>
</ns2:Status>
```

If an error occurs, first please verify your request. Following table contains a list of common system error codes for the eHealth Service Bus.

Error code	Component	Description	Solution
SOA-00001	Not determined	Service error	This is the default error sent to the consumer in case no more details are known.
SOA-01001	Consumer	Service call not authenticated	From the security information provided: <ul style="list-style-type: none"> • or the consumer could not be identified • or the credentials provided are not correct
SOA-01002	Consumer	Service call not authorized	The consumer is identified and authenticated, but is not allowed to call the given service.
SOA-02001	Provider	Service not available. Please contact service desk	An unexpected error has occurred: <ul style="list-style-type: none"> • Retries will not work • Service desk may help with root cause analysis



SOA-02002	Provider	Service temporarily not available. Please try later	An unexpected error has occurred: <ul style="list-style-type: none"> • Retries should work • If the problem persists the helpdesk may help.
SOA-03001	Consumer	Malformed message	This is default error for content related errors in case no more details are known.
SOA-03002	Consumer	Message must be SOAP	Message does not respect the SOAP standard
SOA-03003	Consumer	Message must contain SOAP body	Message respects the SOAP standard, but body is missing
SOA-03004	Consumer	WS-I compliance failure	Message does not respect the WS-I standard
SOA-03005	Consumer	WSDL compliance failure	Message is not compliant with WSDL in Registry/Repository
SOA-03006	Consumer	XSD compliance failure	Message is not compliant with XSD in Registry/Repository
SOA-03007	Consumer	Message content validation failure	From the message content (conform XSD): <ul style="list-style-type: none"> • Extended checks on the element format failed • Cross-checks between fields failed

11. Example

11.1 RegisterPerson

11.1.1 Request

```
<soapenv:Envelope xmlns:soapenv="http://schemas.xmlsoap.org/soap/envelope/"
  xmlns:urn="urn:be:fgov:ehealth:rn:cbsspersonservice:protocol:v1"
  xmlns:urn1="urn:be:fgov:ehealth:rn:cbsspersonservice:core:v1"
  xmlns:urn2="urn:be:fgov:ehealth:rn:cbsspersonlegaldata:v1"
  xmlns:urn3="urn:be:fgov:ehealth:rn:baselegaldata:v1">
  <soapenv:Header/>
  <soapenv:Body>
    <urn:RegisterPersonRequest Id="idRequest" IssueInstant="2020-05-
05T08:55:46.473+02:00">
      <urn:ApplicationId>91201084335</urn:ApplicationId>
      <urn:Declaration>
        <urn1:Person>
          <urn2:Name>
            <urn3:LastName>Lastname</urn3:LastName>
            <urn3:GivenName Sequence="1">Firstname</urn3:GivenName>
            <urn3:InceptionDate>XXXX-XX-XX</urn3:InceptionDate>
          </urn2:Name>
          <urn2:Nationalities>
            <urn3:Nationality>
              <urn3:NationalityCode>150</urn3:NationalityCode>
              <urn3:InceptionDate>XXXX-XX-XX</urn3:InceptionDate>
            </urn3:Nationality>
          </urn2:Nationalities>
          <urn2:Birth>
            <urn3:BirthDate>XXXX-XX-XX</urn3:BirthDate>
            <urn3:BirthPlace>
              <urn3:CountryCode>111</urn3:CountryCode>
              <urn3:CountryName xml:lang="fr">XXXXXXXX</urn3:CountryName>
              <urn3:CityName xml:lang="fr">XXXXXXXX</urn3:CityName>
            </urn3:BirthPlace>
          </urn2:Birth>
          <urn2:Gender>
            <urn3:GenderCode>M</urn3:GenderCode>
            <urn3:InceptionDate>XXXX-XX-XX</urn3:InceptionDate>
          </urn2:Gender>
        </urn1:Person>
      </urn:Declaration>
    </urn:RegisterPersonRequest>
  </soapenv:Body>
</soapenv:Envelope>
```



Success response – New Person created

```
<SOAP-ENV:Envelope xmlns:SOAP-ENV="http://schemas.xmlsoap.org/soap/envelope/">
  <SOAP-ENV:Header/>
  <SOAP-ENV:Body>
    <ns6:RegisterPersonResponse Id="Id-
XXXXX" InResponseTo="idRequest" IssueInstant="2020-05-05T08:55:48.615+02:00"
      xmlns:ns10="urn:be:fgov:ehealth:errors:soa:v1"
      xmlns:ns11="urn:be:fgov:ehealth:errors:service:v1"
      xmlns:ns2="urn:be:fgov:ehealth:commons:core:v2"
      xmlns:ns3="urn:be:fgov:ehealth:rn:baselegaldata:v1"
      xmlns:ns4="urn:be:fgov:ehealth:rn:cbsspersonlegaldata:v1"
      xmlns:ns5="urn:be:fgov:ehealth:rn:cbsspersonservice:core:v1"
      xmlns:ns6="urn:be:fgov:ehealth:rn:cbsspersonservice:protocol:v1"
      xmlns:ns7="urn:be:fgov:ehealth:rn:registries:commons:v1"
      xmlns:ns8="urn:be:fgov:ehealth:rn:commons:business:v1">
      <ns2:Status>
        <ns2:StatusCode Value="urn:be:fgov:ehealth:2.0:status:Success"/>
      </ns2:Status>
      <ns6:Result>
        <ns5:NewlyRegisteredPerson Register="BIS" RegisterInceptionDate="XXXX-XX-
XX">
          <ns4:Ssin>12345678910</ns4:Ssin>
          <ns4:Name>
            <ns3:LastName>Lastname</ns3:LastName>
            <ns3:GivenName Sequence="1">Firstname</ns3:GivenName>
            <ns3:InceptionDate>XXXX-XX-XX</ns3:InceptionDate>
          </ns4:Name>
          <ns4:Nationalities>
            <ns3:Nationality>
              <ns3:NationalityCode>XXX</ns3:NationalityCode>
              <ns3:NationalityDescription xml:lang="fr">XXXXXX</ns3:Nationali
tyDescription>
              <ns3:NationalityDescription xml:lang="nl">XXXXXX</ns3:Nationali
tyDescription>
              <ns3:NationalityDescription xml:lang="de">XXXXXX</ns3:Nationali
tyDescription>
              <ns3:InceptionDate>XXXX-XX-XX</ns3:InceptionDate>
            </ns3:Nationality>
          </ns4:Nationalities>
          <ns4:Birth>
            <ns3:BirthDate>XXXX-XX-XX</ns3:BirthDate>
            <ns3:BirthPlace>
              <ns3:CountryCode>XXX</ns3:CountryCode>
              <ns3:CountryName xml:lang="fr">XXXXXX</ns3:CountryName>
              <ns3:CountryName xml:lang="nl">XXXXXX</ns3:CountryName>
            </ns3:BirthPlace>
          </ns4:Birth>
        </ns5:NewlyRegisteredPerson>
      </ns6:Result>
    </ns6:RegisterPersonResponse>
  </SOAP-ENV:Body>
</SOAP-ENV:Envelope>
```



```

        <ns3:CountryName xml:lang="de">XXXXXX</ns3:CountryName>
        <ns3:CityName>XXXXXX</ns3:CityName>
    </ns3:BirthPlace>
</ns4:Birth>
<ns4:Gender>
    <ns3:GenderCode>M</ns3:GenderCode>
    <ns3:InceptionDate>XXXX-XX-XX</ns3:InceptionDate>
</ns4:Gender>
</ns5:NewlyRegisteredPerson>
</ns6:Result>
</ns6:RegisterPersonResponse>
</SOAP-ENV:Body>

```

11.1.2 Success response - Existing person

```

<SOAP-ENV:Envelope xmlns:SOAP-ENV="http://schemas.xmlsoap.org/soap/envelope/">
  <SOAP-ENV:Header/>
  <SOAP-ENV:Body>
    <ns6:RegisterPersonResponse Id="Id-
XXXXXXXX" InResponseTo="idRequest" IssueInstant="2020-05-05T09:27:14.157+02:00"
      xmlns:ns10="urn:be:fgov:ehealth:errors:soa:v1"
      xmlns:ns11="urn:be:fgov:ehealth:errors:service:v1"
      xmlns:ns2="urn:be:fgov:ehealth:commons:core:v2"
      xmlns:ns3="urn:be:fgov:ehealth:rn:baselegaldata:v1"
      xmlns:ns4="urn:be:fgov:ehealth:rn:cbsspersonlegaldata:v1"
      xmlns:ns5="urn:be:fgov:ehealth:rn:cbsspersonservice:core:v1"
      xmlns:ns6="urn:be:fgov:ehealth:rn:cbsspersonservice:protocol:v1"
      xmlns:ns7="urn:be:fgov:ehealth:rn:registries:commons:v1"
      xmlns:ns8="urn:be:fgov:ehealth:rn:commons:business:v1">
      <ns2:Status>
        <ns2:StatusCode Value="urn:be:fgov:ehealth:2.0:status:Requester"/>
        <ns2:StatusMessage>Registration of the BIS person cannot proceed. One or mo
re persons with a phonetic match to the given criteria already exist.</ns2:StatusMessage>
      </ns2:Status>
      <ns6:Result>
        <ns5:ExistingPersons>
          <ns5:ExistingPerson>
            <ns3:Ssin>12345678910</ns3:Ssin>
            <ns3:Name>
              <ns3:LastName>LastName</ns3:LastName>
              <ns3:GivenName Sequence="1">GivenName</ns3:GivenName>
            </ns3:Name>
            <ns3:Birth>
              <ns3:BirthDate>XXXX-XX-XX</ns3:BirthDate>
            </ns3:Birth>
            <ns3:Gender>
              <ns3:GenderCode>X</ns3:GenderCode>

```



```

        </ns3:Gender>
        <ns3:Address>
            <ns3:ResidentialAddress>
                <ns3:CountryCode>XXX</ns3:CountryCode>
                <ns3:CountryName xml:lang="fr">XXXXX</ns3:CountryName>
                <ns3:CountryName xml:lang="nl">XXXXX</ns3:CountryName>
                <ns3:CountryName xml:lang="de">XXXXX</ns3:CountryName>
                <ns3:CityCode>XXXXX</ns3:CityCode>
                <ns3:CityName xml:lang="fr">XXXXXXXXXXXX</ns3:CityName>
                <ns3:PostalCode>XXXX</ns3:PostalCode>
                <ns3:StreetCode>XXXX</ns3:StreetCode>
                <ns3:StreetName xml:lang="fr">XXXXXXXXXXXX</ns3:StreetName>
                <ns3:HouseNumber>X</ns3:HouseNumber>
                <ns3:BoxNumber>X</ns3:BoxNumber>
            </ns3:ResidentialAddress>
        </ns3:Address>
    </ns5:ExistingPerson>
</ns5:ExistingPersons>
</ns6:Result>
</ns6:RegisterPersonResponse>
</SOAP-ENV:Body>
</SOAP-ENV:Envelope>

```

11.1.3 Business error response

```

<SOAP-ENV:Envelope xmlns:SOAP-ENV="http://schemas.xmlsoap.org/soap/envelope/">
  <SOAP-ENV:Header/>
  <SOAP-ENV:Body>
    <ns6:RegisterPersonResponse Id="Id-
XXXXX" InResponseTo="idRequest" IssueInstant="2020-05-05T10:53:43.466+02:00"
      xmlns:ns10="urn:be:fgov:health:errors:soa:v1"
      xmlns:ns11="urn:be:fgov:health:errors:service:v1"
      xmlns:ns2="urn:be:fgov:health:commons:core:v2"
      xmlns:ns3="urn:be:fgov:health:rn:baselegaldata:v1"
      xmlns:ns4="urn:be:fgov:health:rn:cbsspersonlegaldata:v1"
      xmlns:ns5="urn:be:fgov:health:rn:cbsspersonservice:core:v1"
      xmlns:ns6="urn:be:fgov:health:rn:cbsspersonservice:protocol:v1"
      xmlns:ns7="urn:be:fgov:health:rn:registries:commons:v1"
      xmlns:ns8="urn:be:fgov:health:rn:commons:business:v1">
      <ns2:Status>
        <ns2:StatusCode Value="urn:be:fgov:health:2.0:status:Requester">
          <ns2:StatusCode Value="urn:be:fgov:health:2.0:status:InvalidInput"/>
        </ns2:StatusCode>
      </ns2:Status>
    </ns6:RegisterPersonResponse>
  </SOAP-ENV:Body>
</SOAP-ENV:Envelope>

```



```

<ns2:StatusMessage>Business validation error</ns2:StatusMessage>
<ns2:StatusDetail>
  <ns7:ValidationErrors>
    <ns7:ValidationError>
      <ns7:Code>400236</ns7:Code>
      <ns7:Description>Foreign address can't have a Belgian country code (150)</ns7:Description>
    </ns7:ValidationError>
  </ns7:ValidationErrors>
</ns2:StatusDetail>
</ns2>Status>
</ns6:RegisterPersonResponse>
</SOAP-ENV:Body>
</SOAP-ENV:Envelope>

```

11.1.4 Technical error response

```

<SOAP-ENV:Envelope xmlns:SOAP-ENV="http://schemas.xmlsoap.org/soap/envelope/">
  <SOAP-ENV:Header/>
  <SOAP-ENV:Body>
    <ns5:RegisterPersonResponse Id="IdXXXXXXX" InResponseTo="idRequest" IssueInstant="2020-02-28T15:20:50.190+01:00" xmlns:ns2="urn:be:fgov:ehhealth:commons:core:v2" xmlns:ns4="urn:be:fgov:ehhealth:rn:cbsspersionervice:core:v1" xmlns:ns5="urn:be:fgov:ehhealth:rn:cbsspersionervice:protocol:v1" xmlns:ns6="urn:be:fgov:ehhealth:rn:registries:commons:v1" xmlns:ns7="urn:be:fgov:ehhealth:rn:commons:business:v1" xmlns:ns8="urn:be:fgov:ehhealth:errors:soa:v1" xmlns:ns9="urn:be:fgov:ehhealth:errors:service:v1">
      <ns2:Status>
        <ns2:StatusCode Value="urn:be:fgov:ehhealth:2.0:status:Responder"/>
        <ns2:StatusMessage>Received technical error from CBSS</ns2:StatusMessage>
        <ns2:StatusDetail>
          <ns7:Message>
            <ns7:Severity>FATAL</ns7:Severity>
            <ns7:ReasonCode>MSG00003</ns7:ReasonCode>
            <ns7:Diagnostic>Internal error</ns7:Diagnostic>
            <ns7:AuthorCode>http://www.ksz-bcss.fgov.be/</ns7:AuthorCode>
          </ns7:Message>
        </ns2:StatusDetail>
      </ns2:Status>
    </ns5:RegisterPersonResponse>
  </SOAP-ENV:Body>
</SOAP-ENV:Envelope>

```



12. Test cases

In this section, you will find test cases to verify the implementation of your service.

The response's data received may not be as exhaustive as the response below. It depends on the data that you have the right to consult.

12.1 Register a person based on MID Birth

<i>Description</i>	The user must register a new person in the BIS-register by respecting the general process described in the cookbook
<i>Input</i>	Individual information: <ul style="list-style-type: none"> • Last name: birth-$\{NameOfYourSoftware\}$ • First name: $\{NameOfYourSoftware\}$ • Nationality: Belgium • Gender: Male • Birth date: choose a custom birthdate • Birth place: Paris (France)
<i>Expected outputs</i>	The person is correctly registered and a new BIS-number is returned to the user <pre> <SOAP-ENV:Envelope xmlns:SOAP-ENV="http://schemas.xmlsoap.org/soap/envelope/"> <SOAP-ENV:Header/> <SOAP-ENV:Body> <ns6:RegisterPersonResponse Id="Id-2b9b895f1d2b1a0345338914" InResponseTo="id1" IssueInstant="2020-10-16T15:08:06.501+02:00" xmlns:ns10="urn:be:fgov:ehealth:errors:soa:v1" xmlns:ns11="urn:be:fgov:ehealth:errors:service:v1" xmlns:ns2="urn:be:fgov:ehealth:commons:core:v2" xmlns:ns3="urn:be:fgov:ehealth:rn:baselegaldata:v1" xmlns:ns4="urn:be:fgov:ehealth:rn:cbsspersonlegaldata:v1" xmlns:ns5="urn:be:fgov:ehealth:rn:cbsspersonservice:core:v1" xmlns:ns6="urn:be:fgov:ehealth:rn:cbsspersonservice:protocol:v1" xmlns:ns7="urn:be:fgov:ehealth:rn:registries:commons:v1" xmlns:ns8="urn:be:fgov:ehealth:rn:commons:business:v1"> <ns2:Status> <ns2:StatusCode Value="urn:be:fgov:ehealth:2.0:status:Success"/> </ns2:Status> <ns6:Result> <ns5:NewlyRegisteredPerson Register="BIS" RegisterInceptionDate="2020-10-16"> <ns4:Ssin>XXXXXXXX</ns4:Ssin> <ns4:Name> <ns3:LastName>eHealthName-MZLFOFYWNQRXF</ns3:LastName> <ns3:GivenName Sequence="1">Ehealthfirstname-MZLFOFYWNQRXF</ns3:GivenName> <ns3:InceptionDate>2020-10-16</ns3:InceptionDate> </ns4:Name> </ns5:NewlyRegisteredPerson> </ns6:Result> </ns6:RegisterPersonResponse> </SOAP-ENV:Body> </SOAP-ENV:Envelope> </pre>



```

        <ns4:Nationalities>
          <ns3:Nationality>
            <ns3:NationalityCode>150</ns3:NationalityCode>
            <ns3:NationalityDescription xml:lang="fr">Belgique</ns3:
NationalityDescription>
            <ns3:NationalityDescription xml:lang="nl">België</ns3:N
ationalityDescription>
            <ns3:NationalityDescription xml:lang="de">Belgien</ns3:
NationalityDescription>
            <ns3:InceptionDate>2020-10-16</ns3:InceptionDate>
          </ns3:Nationality>
        </ns4:Nationalities>
        <ns4:Birth>
          <ns3:BirthDate>1985-04-02</ns3:BirthDate>
          <ns3:BirthPlace>
            <ns3:CountryCode>111</ns3:CountryCode>
            <ns3:CountryName xml:lang="fr">France</ns3:CountryName>
            <ns3:CountryName xml:lang="nl">Frankrijk</ns3:CountryNa
me>
            <ns3:CountryName xml:lang="de">Frankreich</ns3:CountryN
ame>
            <ns3:CityName>Paris</ns3:CityName>
          </ns3:BirthPlace>
        </ns4:Birth>
        <ns4:Gender>
          <ns3:GenderCode>M</ns3:GenderCode>
          <ns3:InceptionDate>2020-10-16</ns3:InceptionDate>
        </ns4:Gender>
      </ns5:NewlyRegisteredPerson>
    </ns6:Result>
  </ns6:RegisterPersonResponse>
</SOAP-ENV:Body>
</SOAP-ENV:Envelope>

```

12.2 Register a person based on MID foreign

<i>Description</i>	The user must register a new person in the BIS-register by respecting the general process described in the cookbook
<i>Input</i>	Individual information: <ul style="list-style-type: none"> - Lastname: foreign-<i>\${NameOfYourSoftware}</i> - Firstname: <i>\${NameOfYourSoftware}</i> - Nationality: Belgium - Gender: Male - Birth date: Choose a custom birthdate - Residential address: 1, Rue Saint Sauveur – 59000 Lille (France)



Expected outputs

The person is correctly registered and a new BIS-number is returned to the user

```
<SOAP-ENV:Envelope xmlns:SOAP-ENV="http://schemas.xmlsoap.org/soap/envelope/">
  <SOAP-ENV:Header/>
  <SOAP-ENV:Body>
    <ns6:RegisterPersonResponse Id="Id-359c895f7ea615234a014345" InResponseTo="id1" IssueInstant="2020-10-16T15:12:22.476+02:00" xmlns:ns10="urn:be:fgov:health:errors:soa:v1" xmlns:ns11="urn:be:fgov:health:errors:service:v1" xmlns:ns2="urn:be:fgov:health:commons:core:v2" xmlns:ns3="urn:be:fgov:health:rn:baselegaldata:v1" xmlns:ns4="urn:be:fgov:health:rn:cbsspersonlegaldata:v1" xmlns:ns5="urn:be:fgov:health:rn:cbsspersonservice:core:v1" xmlns:ns6="urn:be:fgov:health:rn:cbsspersonservice:protocol:v1" xmlns:ns7="urn:be:fgov:health:rn:registries:commons:v1" xmlns:ns8="urn:be:fgov:health:rn:commons:business:v1">
      <ns2:Status>
        <ns2:StatusCode Value="urn:be:fgov:health:2.0:status:Success"/>
      </ns2:Status>
      <ns6:Result>
        <ns5:NewlyRegisteredPerson Register="BIS" RegisterInceptionDate="2020-10-16">
          <ns4:Ssin>XXXXXXXXX</ns4:Ssin>
          <ns4:Name>
            <ns3:LastName>eHealthName-MZLFOFYWNQRXF</ns3:LastName>
            <ns3:GivenName Sequence="1">Ehealthfirstname-MZLFOFYWNQRXF</ns3:GivenName>
            <ns3:InceptionDate>2020-10-16</ns3:InceptionDate>
          </ns4:Name>
          <ns4:Nationalities>
            <ns3:Nationality>
              <ns3:NationalityCode>150</ns3:NationalityCode>
              <ns3:NationalityDescription xml:lang="fr">Belgique</ns3:NationalityDescription>
              <ns3:NationalityDescription xml:lang="nl">België</ns3:NationalityDescription>
              <ns3:NationalityDescription xml:lang="de">Belgien</ns3:NationalityDescription>
              <ns3:InceptionDate>2020-10-16</ns3:InceptionDate>
            </ns3:Nationality>
          </ns4:Nationalities>
          <ns4:Birth>
            <ns3:BirthDate>1985-04-02</ns3:BirthDate>
          </ns4:Birth>
          <ns4:Gender>
            <ns3:GenderCode>M</ns3:GenderCode>
          </ns4:Gender>
        </ns5:NewlyRegisteredPerson>
      </ns6:Result>
    </ns6:RegisterPersonResponse>
  </SOAP-ENV:Body>
</SOAP-ENV:Envelope>
```



```

        <ns3:InceptionDate>2020-10-16</ns3:InceptionDate>
    </ns4:Gender>
    <ns4:Address>
        <ns3:ResidentialAddress>
            <ns3:CountryCode>111</ns3:CountryCode>
            <ns3:CountryName xml:lang="fr">France</ns3:CountryName
        >
            <ns3:CountryName xml:lang="nl">Frankrijk</ns3:CountryN
ame>
            <ns3:CountryName xml:lang="de">Frankreich</ns3:Country
Name>
            <ns3:CityName>LILLE</ns3:CityName>
            <ns3:StreetName>RUE SAINT SAUVEUR</ns3:StreetName>
            <ns3:HouseNumber>7</ns3:HouseNumber>
            <ns3:BoxNumber>A</ns3:BoxNumber>
            <ns3:InceptionDate>2020-10-16</ns3:InceptionDate>
        </ns3:ResidentialAddress>
    </ns4:Address>
</ns5:NewlyRegisteredPerson>
</ns6:Result>
</ns6:RegisterPersonResponse>
</SOAP-ENV:Body>
</SOAP-ENV:Envelope>

```

12.3 Person is already known in the CBSS register

<i>Description</i>	The user would like to register a new person in the BIS-register but he receives a message indicating the person already exists
<i>Input</i>	<p>Individual information:</p> <ul style="list-style-type: none"> • Last name: eHealthName-MZLFOFYWNQRXF • First name: Ehealthfirstname-MZLFOFYWNQRXF • Nationality: Belgium • Gender: Male • Birth date: 02/04/1985 • Birth place: Paris (France)
<i>Expected outputs</i>	<p>The service returns an existing person because the person already exists in CBSS register</p> <pre> <SOAP-ENV:Envelope xmlns:SOAP- ENV="http://schemas.xmlsoap.org/soap/envelope/"> <SOAP-ENV:Header/> <SOAP-ENV:Body> <ns6:RegisterPersonResponse Id="Id- 9a9b895f8ca3f1e8bdf04d79" InResponseTo="id1" IssueInstant="2020-10- 16T15:09:47.791+02:00" xmlns:ns10="urn:be:fgov:ehealth:errors:soa:v1" xmlns :ns11="urn:be:fgov:ehealth:errors:service:v1" xmlns:ns2="urn:be:fgov:ehealth </pre>



```

h:commons:core:v2" xmlns:ns3="urn:be:fgov:health:rn:baselegaldata:v1" xmlns:ns4="urn:be:fgov:health:rn:cbsspersonlegaldata:v1" xmlns:ns5="urn:be:fgov:health:rn:cbsspersonservice:core:v1" xmlns:ns6="urn:be:fgov:health:rn:cbsspersonservice:protocol:v1" xmlns:ns7="urn:be:fgov:health:rn:registries:commons:v1" xmlns:ns8="urn:be:fgov:health:rn:commons:business:v1">
  <ns2:Status>
    <ns2:StatusCode Value="urn:be:fgov:health:2.0:status:Requester" />
    <ns2:StatusMessage>Registration of the BIS person cannot proceed. One or more persons with a phonetic match to the given criteria already exist.</ns2:StatusMessage>
  </ns2:Status>
  <ns6:Result>
    <ns5:ExistingPersons>
      <ns5:ExistingPerson>
        <ns3:Ssin>85440234539</ns3:Ssin>
        <ns3:Name>
          <ns3:LastName>eHealthName-MZLFOFYWNQRXF</ns3:LastName>
          <ns3:GivenName Sequence="1">Ehealthfirstname-MZLFOFYWNQRXF</ns3:GivenName>
          <ns3:InceptionDate>2020-10-16</ns3:InceptionDate>
        </ns3:Name>
        <ns3:Birth>
          <ns3:BirthDate>1985-04-02</ns3:BirthDate>
        </ns3:Birth>
        <ns3:Gender>
          <ns3:GenderCode>M</ns3:GenderCode>
          <ns3:InceptionDate>2020-10-16</ns3:InceptionDate>
        </ns3:Gender>
      </ns5:ExistingPerson>
    </ns5:ExistingPersons>
  </ns6:Result>
</ns6:RegisterPersonResponse>
</SOAP-ENV:Body>
</SOAP-ENV:Envelope>

```

12.4 No valid MID introduced by the user

<i>Description</i>	The user would like to register a new person in the bis-register but the data in his request are incomplete
<i>Input</i>	Individual information: <ul style="list-style-type: none"> • Last name: eHealthName-MZLFOFYWNQRXF • First name: Ehealthfirstname-MZLFOFYWNQRXF • Nationality: Belgium • Gender: Male



- Birth date: /2000
- Birth place: Paris (France)

Expected outputs

The service returns a business error because the MID is not valid

```
<SOAP-ENV:Envelope xmlns:SOAP-
ENV="http://schemas.xmlsoap.org/soap/envelope/">
  <SOAP-ENV:Header/>
  <SOAP-ENV:Body>
    <ns6:RegisterPersonResponse Id="Id-
979c895fa22aa365b757606b" InResponseTo="id1" IssueInstant="2020-10-
16T15:14:00.422+02:00" xmlns:ns10="urn:be:fgov:ehhealth:errors:soa:v1" x
mlns:ns11="urn:be:fgov:ehhealth:errors:service:v1" xmlns:ns2="urn:be:fgo
v:ehhealth:commons:core:v2" xmlns:ns3="urn:be:fgov:ehhealth:rn:baselegald
ata:v1" xmlns:ns4="urn:be:fgov:ehhealth:rn:cbsspersonlegaldata:v1" xmlns
:ns5="urn:be:fgov:ehhealth:rn:cbsspersonservice:core:v1" xmlns:ns6="urn:
be:fgov:ehhealth:rn:cbsspersonservice:protocol:v1" xmlns:ns7="urn:be:fgo
v:ehhealth:rn:registries:commons:v1" xmlns:ns8="urn:be:fgov:ehhealth:rn:c
ommons:business:v1">
      <ns2:Status>
        <ns2:StatusCode Value="urn:be:fgov:ehhealth:2.0:status:Reque
ster">
          <ns2:StatusCode Value="urn:be:fgov:ehhealth:2.0:status:In
validInput"/>
        </ns2:StatusCode>
        <ns2:StatusMessage>The request contains invalid data. Pleas
e check your message content.</ns2:StatusMessage>
        <ns2:StatusDetail>
          <ns7:ValidationErrors>
            <ns7:ValidationError>
              <ns7:Code>400304</ns7:Code>
              <ns7:Description>CountryCode 150 present without c
ityCode specified</ns7:Description>
            </ns7:ValidationError>
          </ns7:ValidationErrors>
        </ns2:StatusDetail>
      </ns2:Status>
    </ns6:RegisterPersonResponse>
  </SOAP-ENV:Body>
</SOAP-ENV:Envelope>
```

