



**RNConsult WS - PseudoPersonService  
Cookbook  
Version 1.0**

This document is provided to you, free of charge, by the

**eHealth platform**

**Willebroekkaai 38 – 1000 Brussel  
38, Quai de Willebroek – 1000 Bruxelles**

All are free to circulate this document with reference to the URL source.

# Table of contents

<b>Table of contents</b> .....	<b>2</b>
<b>1. Document management</b> .....	<b>4</b>
1.1 Document history.....	4
<b>2. Introduction</b> .....	<b>5</b>
2.1 Goal of the service .....	5
2.2 Goal of the document .....	5
2.3 eHealth document references .....	5
2.4 External document references.....	5
<b>3. Support</b> .....	<b>6</b>
3.1 Helpdesk eHealth platform .....	6
3.1.1 Certificates.....	6
3.1.2 For issues in production .....	6
3.1.3 For issues in acceptance.....	6
3.1.4 For business issues .....	6
3.2 Status .....	6
3.3 Authorization from sectoral committee .....	6
<b>4. Global overview</b> .....	<b>7</b>
<b>5. Flow description</b> .....	<b>8</b>
<b>6. Requirements</b> .....	<b>10</b>
6.1 Technical requirements.....	10
6.1.1 WS-I Basic Profile 1.1 .....	10
6.1.2 Tracing .....	10
<b>7. Description of xml messages</b> .....	<b>11</b>
7.1 searchPersonBySsin .....	11
7.1.1 Request.....	11
7.1.2 Response .....	12
7.2 Generic structure .....	14
7.2.1 PersonResponseResultType .....	14
7.2.2 NobilityTitleBaseType .....	16
7.2.3 NameInfoBaseType.....	16
7.2.4 NationalitiesBaseType .....	17
7.2.5 BirthInfoBaseType .....	17
7.2.6 DeceaseInfoBaseType.....	17
7.2.7 GenderInfoBaseType .....	18
7.2.8 CivilStatesBaseType .....	18
7.2.9 AddressBaseType.....	19
7.2.10 ResidentialAddressType .....	20
7.2.11 PlainAddressType .....	21
7.2.12 DiplomaticPostType.....	22
7.2.13 ContactAddressBaseType .....	23



7.2.14	AdministratorBaseType .....	25
7.2.15	SubregisterBaseType .....	25
7.2.16	LegalCohabitationBaseType .....	26
7.2.17	LocationType .....	27
7.2.18	PartnerType .....	28
7.2.19	JudgmentType .....	28
7.2.20	TranscriptionType .....	29
7.2.21	ActType .....	29
7.2.22	AnomaliesType .....	29
<b>8.</b>	<b>Risks and security.....</b>	<b>31</b>
8.1	Security .....	31
8.1.1	Business security .....	31
8.1.2	Web service .....	31
8.1.3	The use of username, password and token.....	31
<b>9.</b>	<b>Test and release procedure.....</b>	<b>32</b>
9.1	Procedure.....	32
9.1.1	Initiation .....	32
9.1.2	Development and test procedure .....	32
9.1.3	Release procedure.....	32
9.1.4	Operational follow-up .....	32
<b>10.</b>	<b>Status.....</b>	<b>33</b>
10.1	Success response.....	33
10.2	Business errors .....	33
10.2.1	searchPersonBySSIN .....	33
10.3	Technical errors.....	34
<b>11.</b>	<b>Example .....</b>	<b>37</b>
11.1	searchPersonBySsin .....	37
11.1.1	Request.....	37
11.1.2	Success response .....	37
11.1.3	Business error response .....	39
11.1.4	Technical error response .....	39
<b>12.</b>	<b>Testdata .....</b>	<b>41</b>
12.1	searchPersonBySsin .....	41
12.1.1	Scenario 1 – Person cancelled .....	41
12.1.2	Scenario 2 – Person replaced .....	41
12.1.3	Scenario 3 – Person does not exist.....	43
12.1.4	Scenario 4 – Person with a residential address .....	43
12.1.5	Scenario 5 – Person with a contact address .....	45
12.1.6	Scenario 6 – Person with a contact address and a residential address.....	48
12.1.7	Scenario 7 – Person with an invalid identifier .....	50

To the attention of: “IT expert” willing to integrate this web service.



# 1. Document management

## 1.1 Document history

Version	Date	Author	Description of changes / remarks
1.0	24/10/2023	eHealth platform	Initial version

## 2. Introduction

### 2.1 Goal of the service

The *RNConsult PseudoPersonService* is designed to access data related to person identification based on SSIN or BIS number. In contrast to the *RNConsult PersonService*, it does not provide consultation based on phonetic criteria. Additionally, it is important to note that the SSIN or BIS number must be pseudonymised via the pseudonymisation service before use. Lastly, please be aware that this service is not available to healthcare professionals.

### 2.2 Goal of the document

This document is not a development or programming guide for internal applications. Instead, it provides functional and technical information and allows an organization to integrate and use the eHealth platform service.

However, in order to interact in a smooth, homogeneous and risk controlled way with a maximum of partners, these partners must commit to comply with the requirements of specifications, data format and release processes of the eHealth platform as described in this document.

Technical and business requirements must be met in order to allow the integration and validation of the eHealth platform service in the client application.

### 2.3 eHealth document references

All documents can be found through the internet. They are available to the public, but not supported by the eHealth platform.

ID	Title	Version
1	Cookbook Pseudonymization	1.2

### 2.4 External document references

All documents can be found through the internet. They are available to the public, but not supported by the eHealth platform.

ID	Title	Source	Date	Author
1	Basic Profile Version 1.1	<a href="http://www.wsi.org/Profiles/BasicProfile-1.1-2004-08-24.html">http://www.wsi.org/Profiles/BasicProfile-1.1-2004-08-24.html</a>	24/08/2004	Web Services Interoperability Organization



## 3. Support

### 3.1 Helpdesk eHealth platform

#### 3.1.1 Certificates

In order to access the secured eHealth platform environment you have to obtain an eHealth platform certificate, used to identify the initiator of the request. In case you do not have one, please consult the chapter about the eHealth Certificates on the portal of the eHealth platform

- <https://www.ehealth.fgov.be/ehealthplatform/nl/ehealth-certificaten>
- <https://www.ehealth.fgov.be/ehealthplatform/fr/certificats-ehealth>

For technical issues regarding eHealth platform certificates

- Acceptance: [acceptance-certificates@ehealth.fgov.be](mailto:acceptance-certificates@ehealth.fgov.be)
- Production: [support@ehealth.fgov.be](mailto:support@ehealth.fgov.be)

#### 3.1.2 For issues in production

eHealth platform contact centre:

- Phone: 02 788 51 55 (on working days from 7 am till 8 pm)
- Mail: [support@ehealth.fgov.be](mailto:support@ehealth.fgov.be)
- Contact Form :
  - <https://www.ehealth.fgov.be/ehealthplatform/nl/contact> (Dutch)
  - <https://www.ehealth.fgov.be/ehealthplatform/fr/contact> (French)

#### 3.1.3 For issues in acceptance

[Integration-support@ehealth.fgov.be](mailto:Integration-support@ehealth.fgov.be)

#### 3.1.4 For business issues

- regarding an existing project: the project manager in charge of the application or service
- regarding a new project or other business issues: [info@ehealth.fgov.be](mailto:info@ehealth.fgov.be)

### 3.2 Status

The website <https://status.ehealth.fgov.be> is the monitoring and information tool for the ICT functioning of the eHealth services that are partners of the Belgian eHealth system.

### 3.3 Authorization from sectoral committee

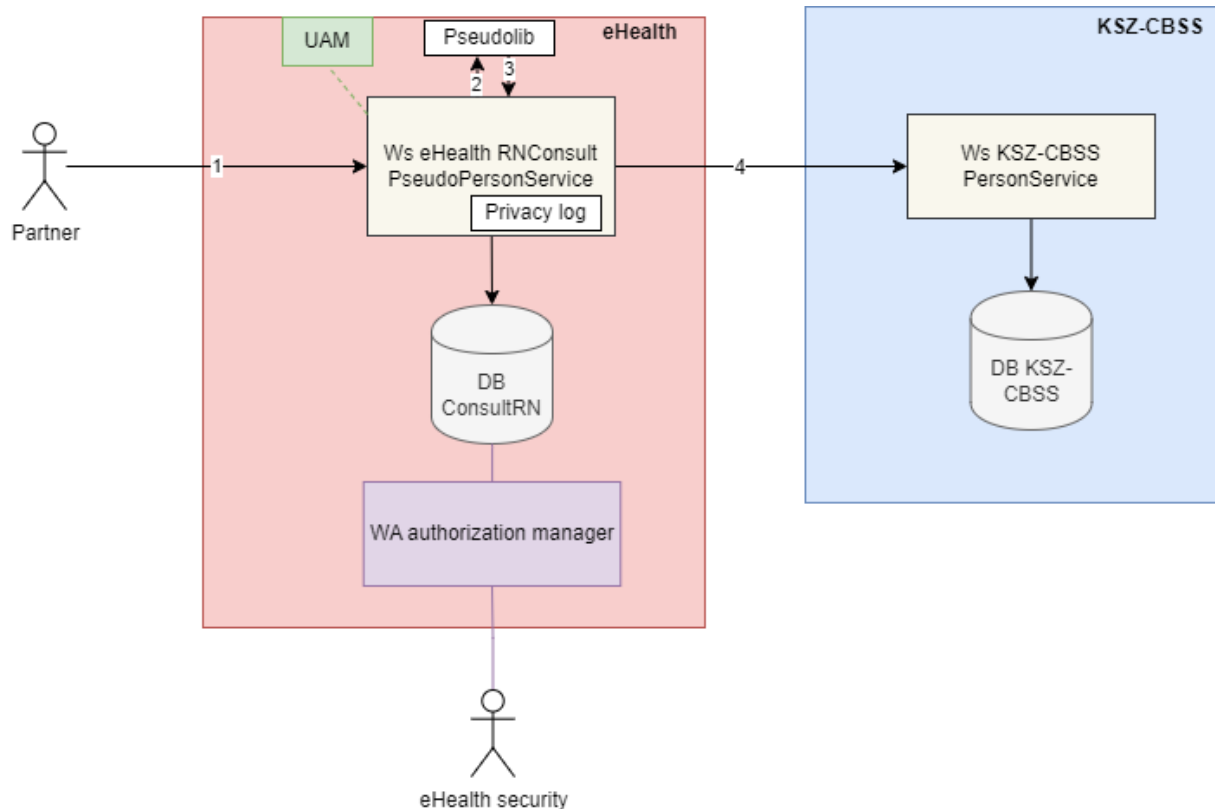
The use of RNConsult requires authorisation from the sectorial committee. Only then you will receive an applicationID that will be used to access with specific rights to this service.



## 4. Global overview

The service enables the retrieval of information in accordance with the deliberation of the sectoral committee. This information includes a person's name, date of birth, gender, date of decease, civil status data, nationality, and address. This retrieval is based either on a SSIN (social security identification number) or BIS number.

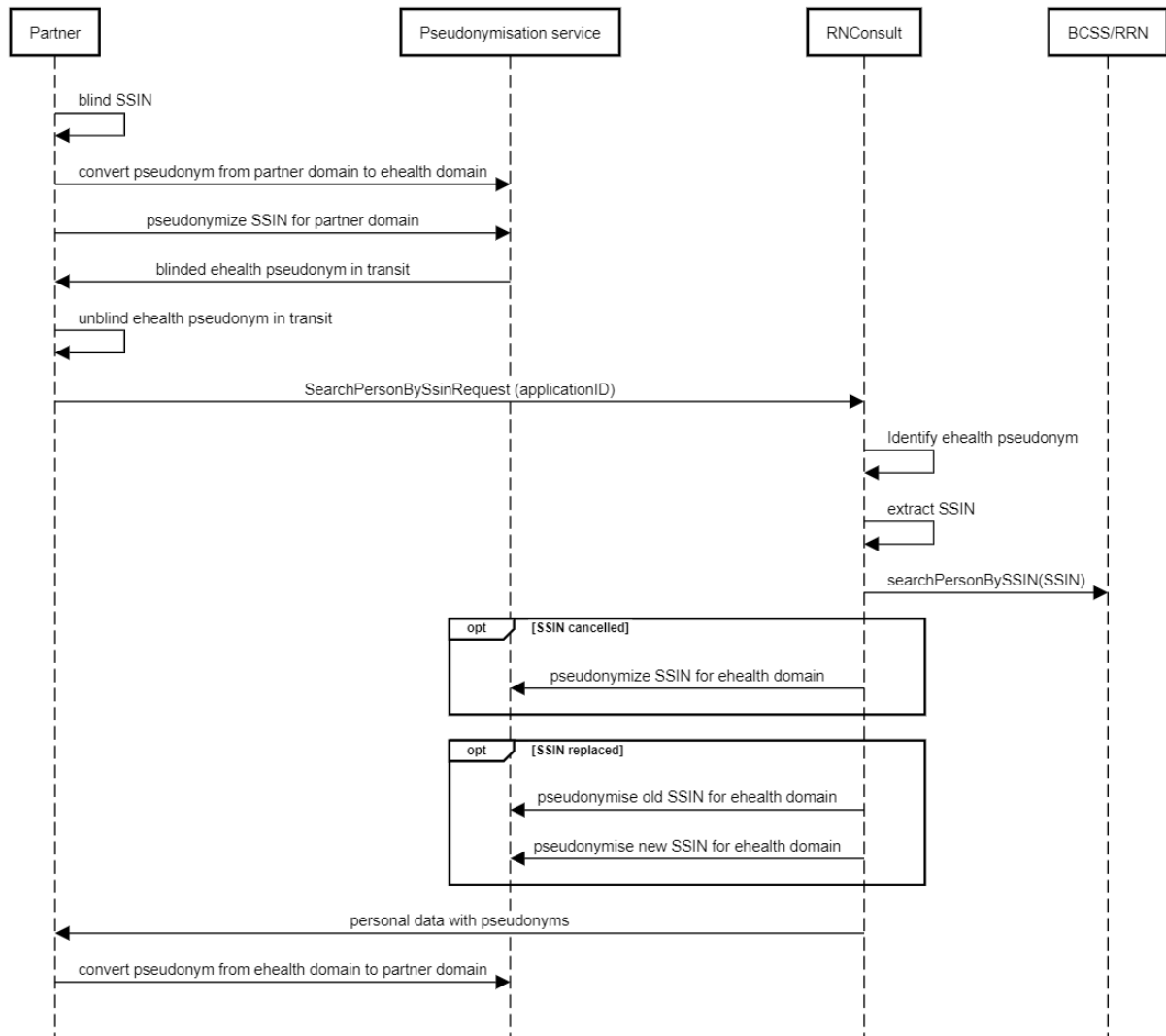
Consequently, the health service in question will establish an internal connection with the CBSS by using a corresponding CBSS Web Service linked to the National Registry and BIS Registry.



- Step 1: The Institution (identified by a CBE, EHP or RIZIV/INAMI number) authenticates through his software to the eHealth platform and sends a request to the *RNConsult PseudoPersonService*. In order to access the service, the eHealth platform performs several checks:  
The eHealth platform verifies:
- the authentication of the applicant via his/her eHealth certificate
  - whether the applicationID is well configured in the ConsultRN database and linked to the organization.
- Step 2: Once the checks have been carried out, the eHealth request is transformed into a CBSS request and sent to the KSZ-BCSS PersonService.
- Step 3: The eHealth platform returns the information about individual to the institution (depending on the deliberation of the Information Security Committee).

## 5. Flow description

The following sequence diagram provides a detailed perspective on the interactions between the various actors and the different steps involved in calling the PseudoPersonService:



1. The partner needs to blind the input, specifically the SSIN.
2. The partner needs to send a pseudonymized input to the *Pseudonymisation service*  
To achieve this, the following steps need to be followed:
  - The partner calls the service *Pseudonymisation service* for the resource “*pseudonymize*” with his own domain (partner\_vx) to create a pseudonym
  - The partner calls the service *Pseudonymisation service* for the resource “*convert*” for the domain “*ehealth\_v1*”
  - *The partner receives a blinded pseudonym in transit and needs to unblind it*
3. The partner sends a request to the service *RNConsult PseudoPersonService* with the pseudonym in transit and the partner applicationId.
4. The *RNConsult PseudoPersonService* decrypts the pseudonym in transit and extracts the SSIN.
5. The *RNConsult PseudoPersonService* sends a request to *KSZ-BCSS PersonService* service which returns the information about individual.





6. The *RNConsult PseudoPersonService* encrypts the filtered data for the domain "ehealth\_v1"
7. The *RNConsult PseudoPersonService* returns the data with the pseudonymized input.
8. The Partner needs to convert the pseudonym in transit received from domain "ehealth\_v1" to his own domain.
9. The partner receives the pseudonym in transit in his own domain.



## 6. Requirements

The call to the service *RNConsult PseudoPersonService* is subject to several conditions.

- An authorization of the sectoral committee and the compliance with the integration procedure.  
By applying this procedure, the eHealth platform will provide you with your **applicationID**, which is used by the eHealth platform to grant specific rights.
- An eHealth certificate, used to identify the initiator of the request.  
If you do not have one, please refer to the section “Basisdiensten” (NL) or “Services de base” (F) on the portal of the eHealth platform at  
<https://www.ehealth.fgov.be/ehealthplatform/>
- Time synchronisation  
The servers of the eHealth platform are synchronized to a pool of global servers using NTP protocol. Partner’s clock must not differ from eHealth’s by more than 60 seconds or the request may be discarded.
- The partner's domain for obtaining a pseudonym for entering or converting a pseudonym from his own domain to a target domain is configured across different environments. If not, please refer to the onboarding document in the external documentation for guidance (section 2.4)
- To make a call to the *PseudonymisationService*, you need to have a client IAM connect configured with the appropriate scope to access the resources for retrieving a pseudonym from entering or converting a pseudonym from their own domain to a target domain. .  
If this is not the case, please refer to the onboarding document in the external documentation for guidance (section 2.4).

### 6.1 Technical requirements

#### 6.1.1 WS-I Basic Profile 1.1

Your request must be WS-I compliant (See Chap 2 - External Ref). If it is not, you will receive one of the errors SOA-03001 – SOA-03003. (See Chap 9 – Errors and failures)

#### 6.1.2 Tracing

To use this service, the request MUST contain the following two http header values (see RFC

<https://datatracker.ietf.org/doc/html/rfc7231#section-5.5.3>):

1. User-Agent: information identifying the software product and underlying technical stack/platform. It MUST include the minimal identification information of the software such that the emergency contact (see below) can uniquely identify the component.
  - a. Pattern: {minimal software information}/{version} {minimal connector information}/{connector-package-version}
  - b. Regular expression for each subset (separated by a space) of the pattern: `[[a-zA-Z0-9-\]]*\V[0-9azA-Z-_.]*`
  - c. Examples:  
User-Agent: myProduct/62.310.4 Technical/3.19.0  
User-Agent: Topaz-XXXX/123.23.X freeconnector/XXXXX.XXX
2. From: email-address that can be used for emergency contact in case of an operational problem.  
Examples:  
From: [info@mycompany.be](mailto:info@mycompany.be)

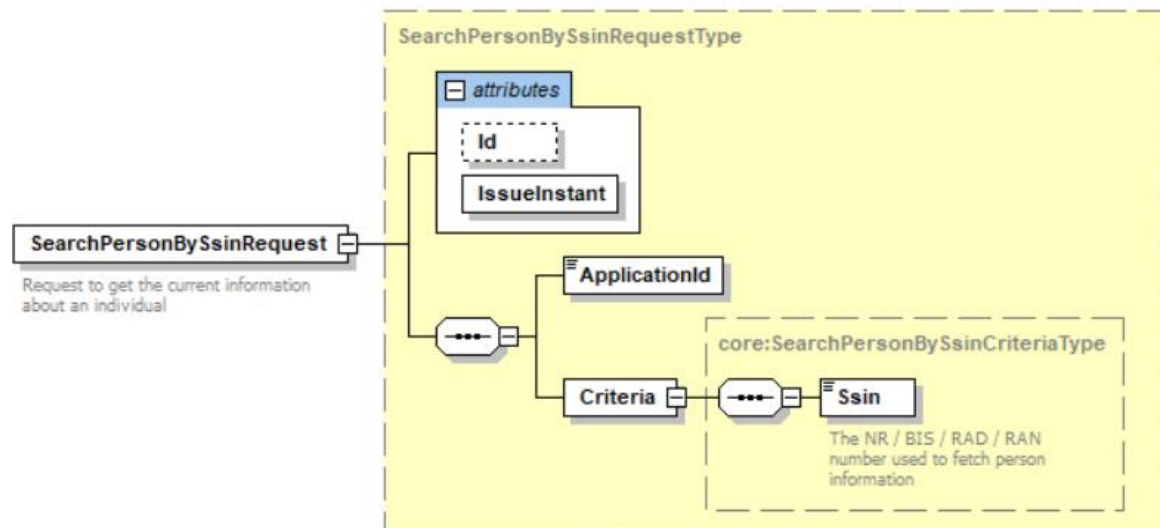


## 7. Description of xml messages

### 7.1 searchPersonBySsin

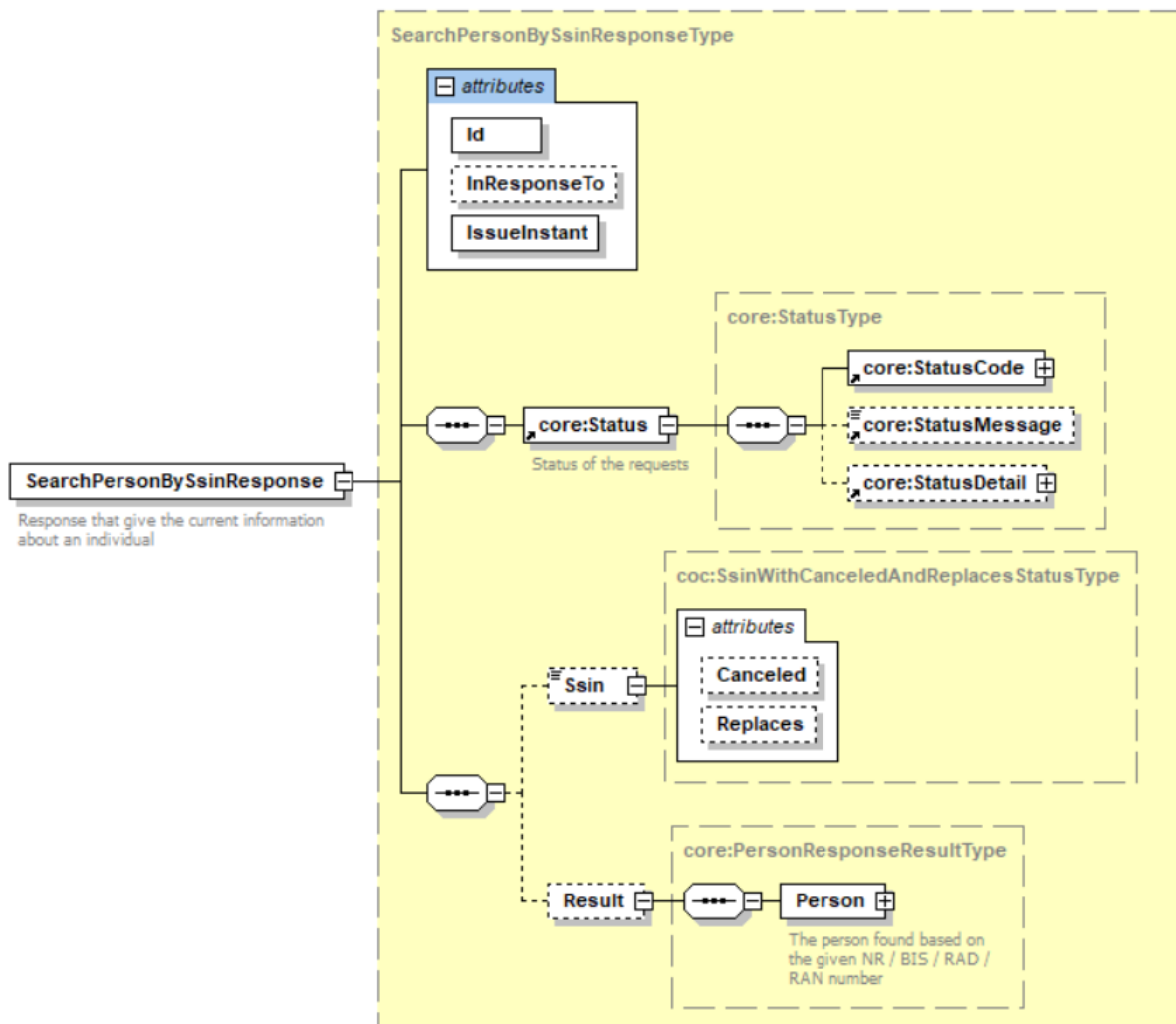
This method is used to retrieve information about a person identified by a INSS number.

#### 7.1.1 Request



Field name	Description
@Id	This attribute contains the number identifying the request. <u>Note:</u> This field is optional but we recommend adding a identifier to facilitate the follow-up in case of business/technical issue
@issue Instant	This attribute contains the timestamp of the request.
ApplicationID	The ApplicationID contains a number given by eHealth identifying the organization and the authorization given for a certain purpose to this organization. (Same format as an SSIN).
Criteria/SSIN	This field contains the SSIN number of the person in the request.

## 7.1.2 Response

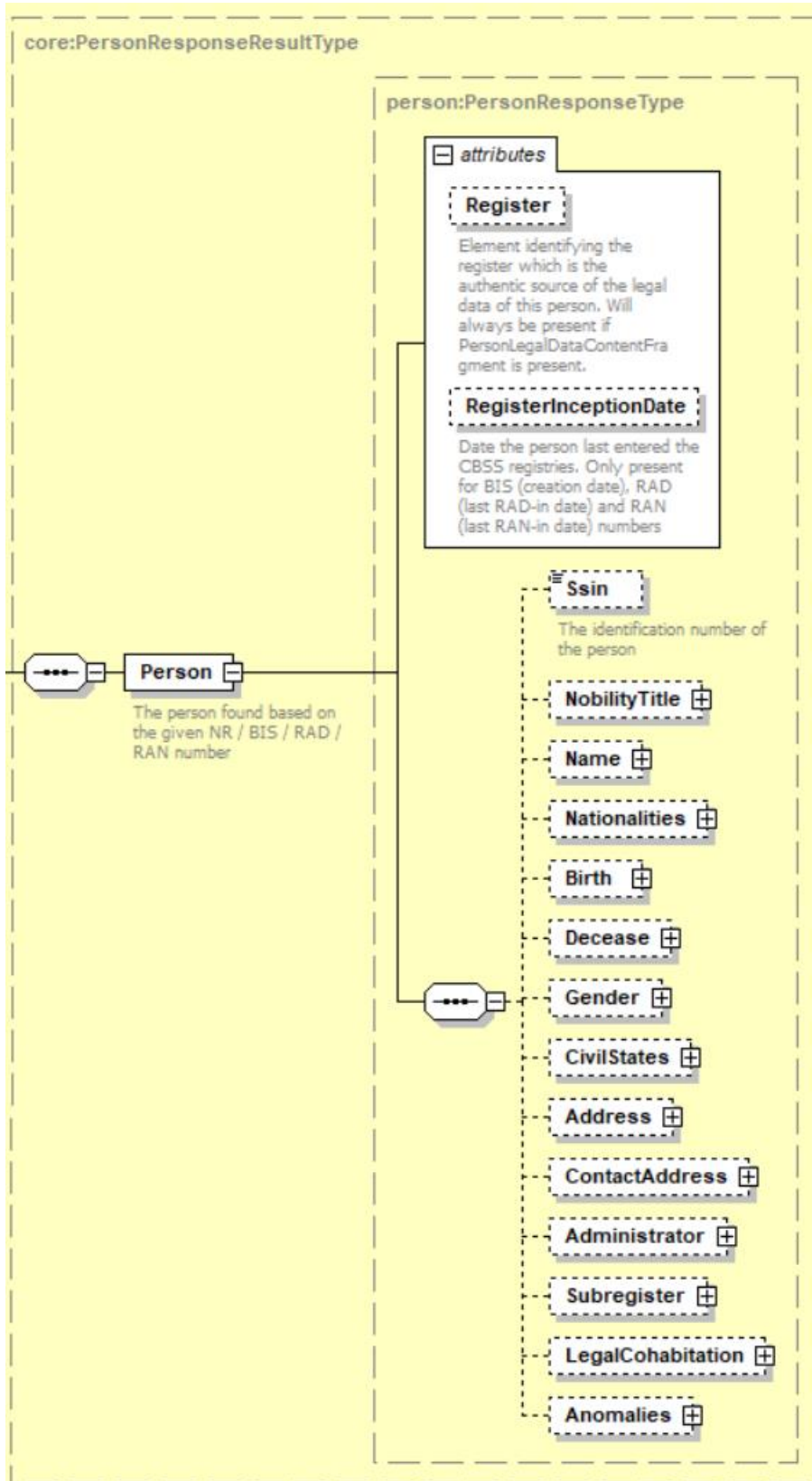


Field name	Description
@Id	This attribute contains the number identifying the response.
@InResponseTo	This attribute contains the number identifying the request.
@IssueInstant	This attribute contains the timestamp of the response.
Status	This block contains information about the status of the response returned. (See section 10)
SSIN	This field contains the current INSS number of the person: <ul style="list-style-type: none"> <li>If a INSS is <b>not</b> replaced by another one, the value will be the INSS requested</li> <li>If a INSS is replaced by another one, the value will be the current INSS. The previous value will be present in the attribute <i>SSIN/@Replaces</i></li> </ul>
SSIN/@Cancelled	This field contains the value TRUE if the INSS is cancelled. Otherwise, it has the value FALSE.

SSIN/@Replaces	This field contains the previous INSS number of the person. Otherwise, it has the value empty.
Result/Person	This block contains information about the person requested. (See section 7.2.1)

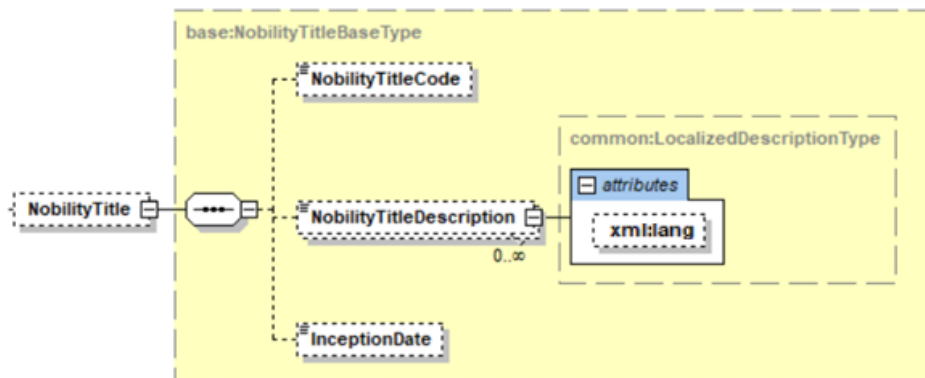
## 7.2 Generic structure

### 7.2.1 PersonResponseType



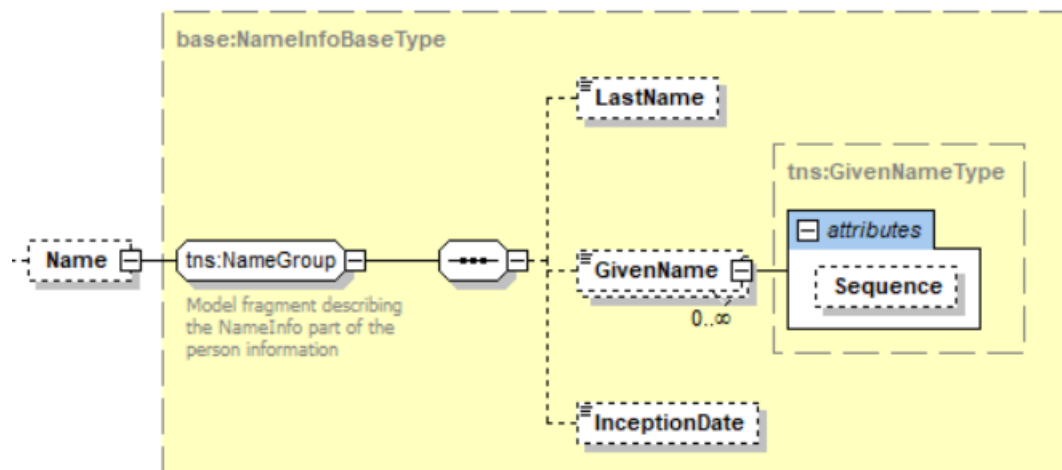
Field name	Description
@Register	This attribute contains the identifier of the registry which is the authentic source of the legal data of the person. Possible values are <ul style="list-style-type: none"> <li>• 'RN' : National registry</li> <li>• 'RAD' : Radiated registry</li> <li>• 'BIS' : BIS registry</li> <li>• 'RAN' : Cancelled registry</li> </ul>
@RegisterInceptionDate	This attribute contains the registration date in CBSS registry. <u>Remark:</u> This field is not present for national registry numbers
Ssin	This field contains the current person INSS number.
NobilityTitle	This field contains information about nobility title.
Name	This block contains information about last name and first names. (See section: 7.2.3)
Nationalities	This block contains information about nationalities. (See section: 7.2.4)
Birth	This block contains information about the birth. (See section: 7.2.5)
Decease	This block contains information about the decease. (See section: 7.2.6)
Gender	This block contains information about the gender. (See section: 7.2.7)
CivilStates	This block contains information about the civil state. (See section: 7.2.8)
Address	This block contains information about the address. (See section: 7.2.9)
ContactAddress	This block contains information about the contact address. <u>Remark:</u> This field is present only for person known in BCSS registry (See section: 7.2.13)
Administrator	This block contains information about the data manager (municipality or country). (See section: 7.2.14)
Subregister	This block contains information about the sub-registry of the National Registry. <u>Remark:</u> This field is present when the person is present in the National Registry (See section: 7.2.15)
LegalCohabitation	This block contains information about legal cohabitation. (See section: 7.2.16)
Anomalies	This block contains information about data inconsistency returned by the CBSS. (See section: 7.2.22)

## 7.2.2 NobilityTitleBaseType



Field name	Description
NobilityTitleCode	This field contains the nobility title code.
NobilityTitleDescription	This field contains the nobility title description in different languages.
InceptionDate	This field contains the inception date of the information.

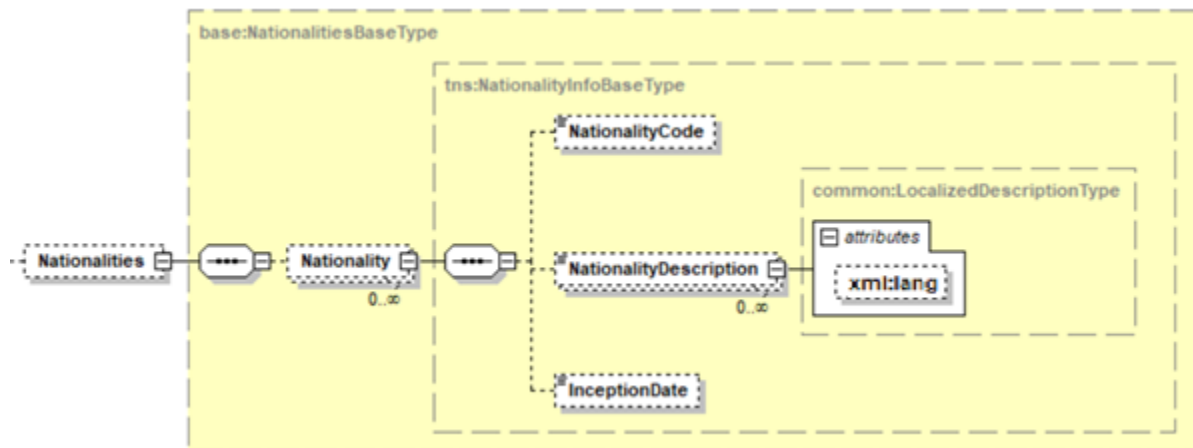
## 7.2.3 NameInfoBaseType



Field name	Description
Name/Lastname	This field contains the last name.
Name/GivenName[@sequence]	This field contains the first and the middle names.
InceptionDate	This field contains the inception date of the information.

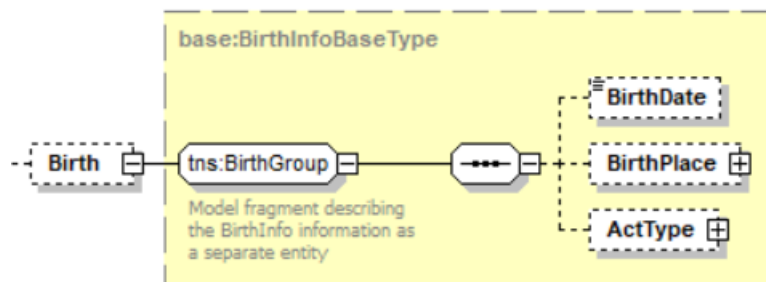


## 7.2.4 NationalitiesBaseType



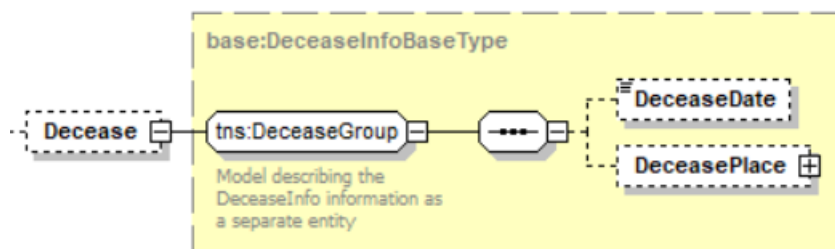
Field name	Description
NationalityCode	This field contains the NIS nationality code.
NationalityDescription	This field contains the nationality description in different languages.
InceptionDate	This field contains the inception date of the information.

## 7.2.5 BirthInfoBaseType



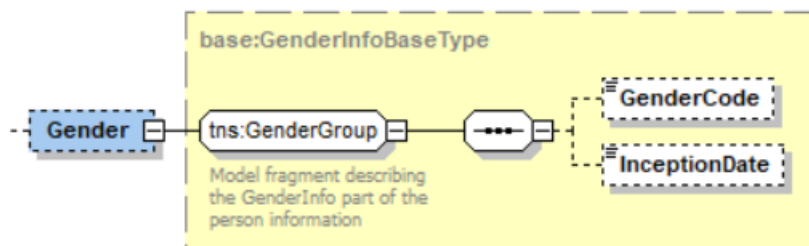
Field name	Description
Birthdate	This field contains the birth date.
Birthplace	This block contains the information about the birth place. (See section: 7.2.17)
ActType	This block contains the type of evidence. (See section: 7.2.21)

## 7.2.6 DeceaseInfoBaseType



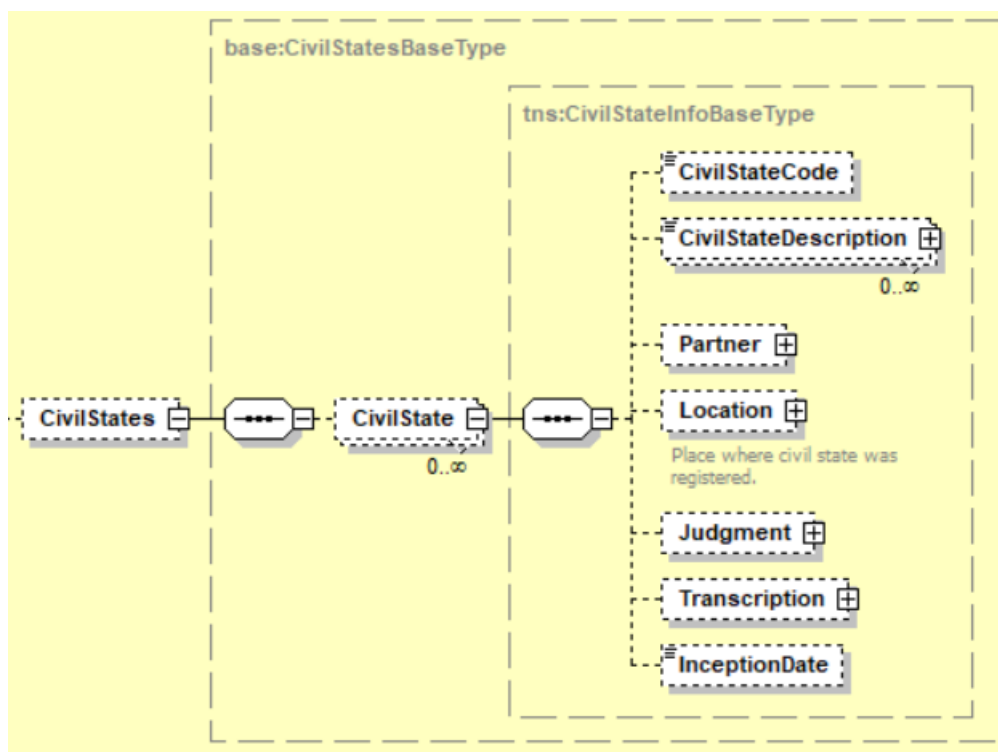
Field name	Description
DeceaseDate	This field contains the decease date.
DeceasePlace	This field contains the decease place. (See section: 7.2.17)

### 7.2.7 GenderInfoBaseType



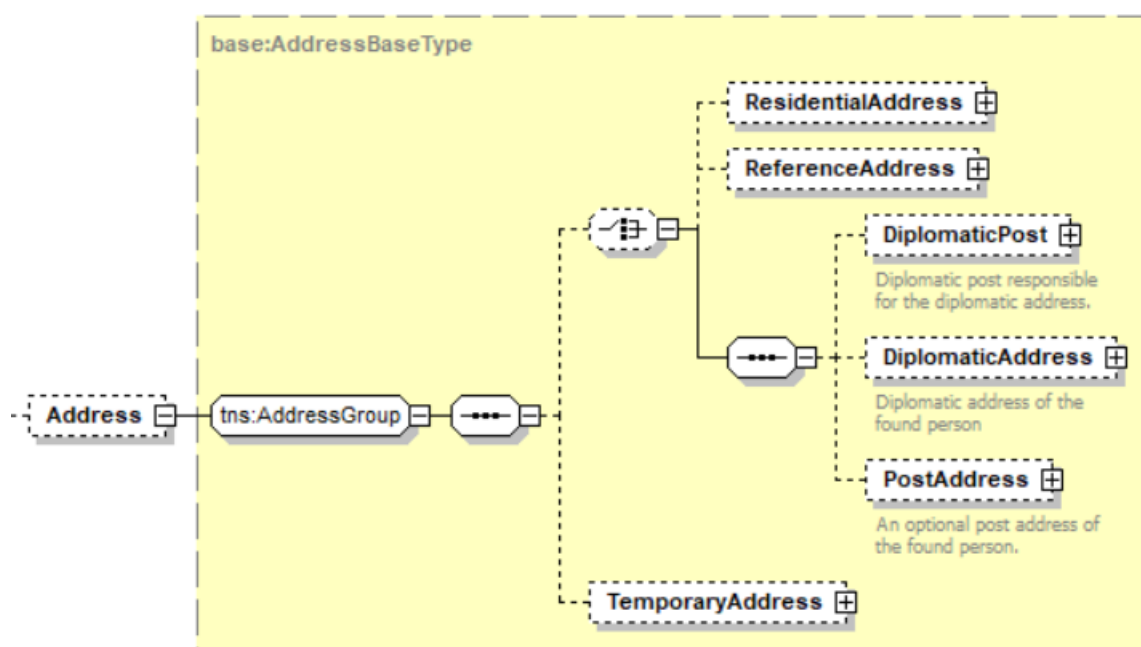
Field name	Description
GenderCode	This field contains the gender of the person. Values are: <ul style="list-style-type: none"> <li>• 'M': Male</li> <li>• 'F': Female</li> </ul>
InceptionDate	This field contains the inception date of the information.

### 7.2.8 CivilStatesBaseType



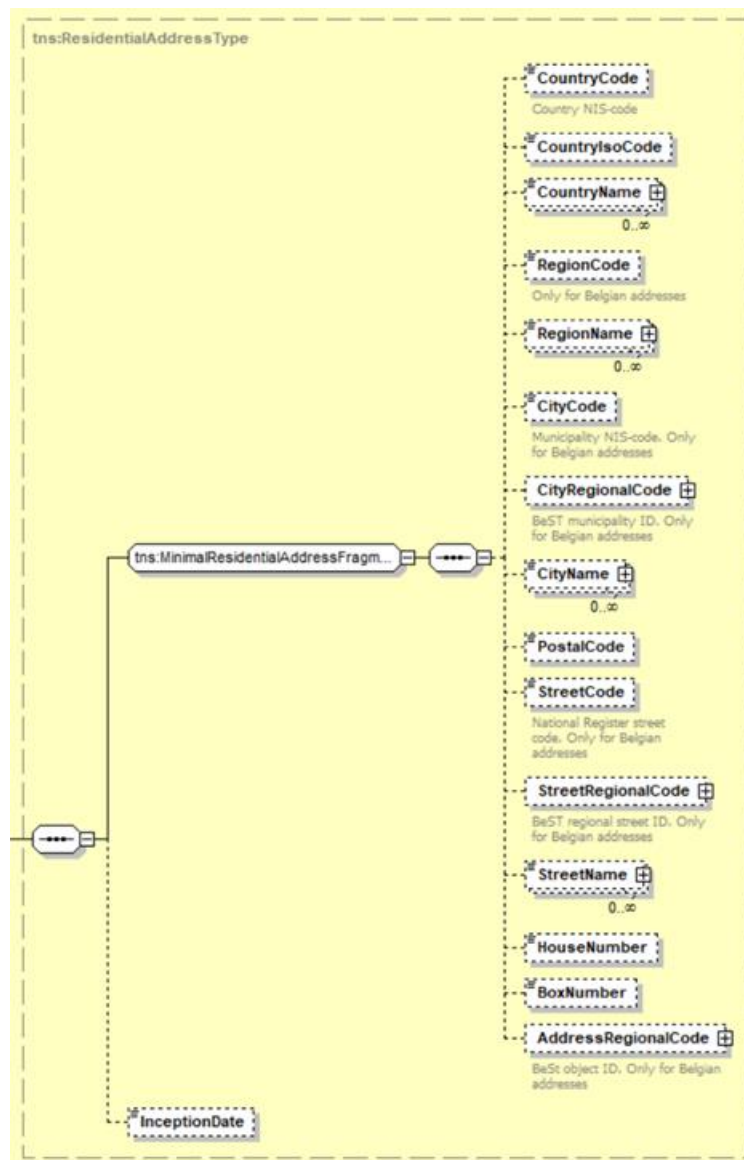
Field name	Description
CivilState/CivilstateCode	This field contains the civil state code.
CivilState/Partner	This block contains information about the partner. (marriage, divorce,...) (See section: 7.2.18)
CivilState/Location	This block contains the place of the civil state. (See section: 7.2.17)
CivilState/Judgment	This block contains the data relating to the judgment. (See section: 7.2.19)
CivilState/Transcription	This block contains the date relating to the transcription of judgment. (See section: 7.2.20)
CivilState/InceptionDate	This field contains the inception date of the information.

### 7.2.9 AddressBaseType



Field name	Description
ResidentialAddress	This block contains the residential address in Belgium or abroad. (See section: 7.2.10)
ReferenceAddress	This block contains the reference address in Belgium or abroad. (See section: 7.2.10)
DiplomaticPost	This block contains the data of the diplomatic address where the address abroad has been registered. (See section: 0)
DiplomaticAddress	This block contains the address registered via the diplomatic post.
PostAddress	This block contains the postal address provided for people residing abroad.
TemporaryAddress	This block contains the temporary address in Belgium or abroad (See section:6.3.12)

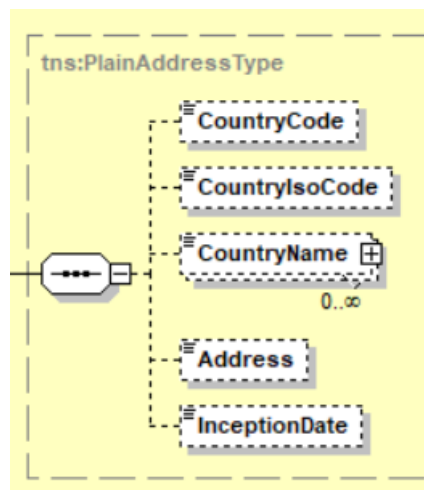
## 7.2.10 ResidentialAddressType



Field name	Description	Abroad	Belgian Current	Belgian BeST
CountryCode	Country code of the country (NIS code)	✓	150	150
CountryIsoCode	The 2-letter ISO code of the country (ISO 3166 alpha-2)	✓	✓	✓
CountryName	Country name	✓	✓	✓
RegionCode	Region code of the region			✓
RegionName	Region name			✓
CityCode	Municipality code (NIS code)		✓	
CityRegionalCode	Municipality name			✓

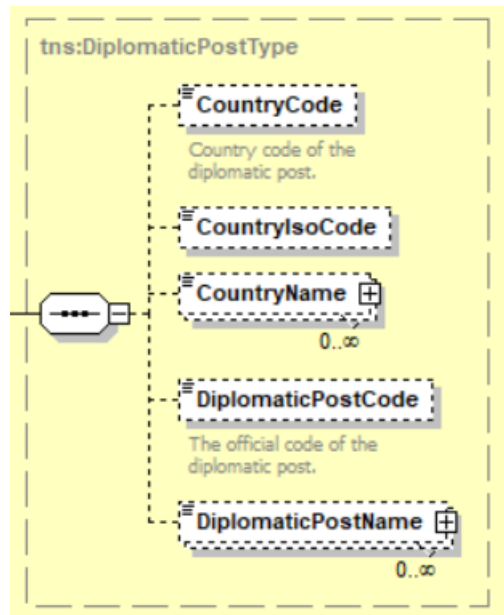
CityName	City name	✓	✓	✓
PostalCode	Postal code	✓	✓	✓
StreetCode	Street code		✓	
StreetRegionalCode	Street code assigned by National Registry			✓
StreetName	Street name	✓	✓	✓
HouseNumber	House number	✓	✓	✓
BoxNumber	Box number	✓	✓	✓
AddressRegionalCode	Unique identification number of the address			✓
InceptionDate	Data inception date	✓	✓	✓

### 7.2.11 PlainAddressType



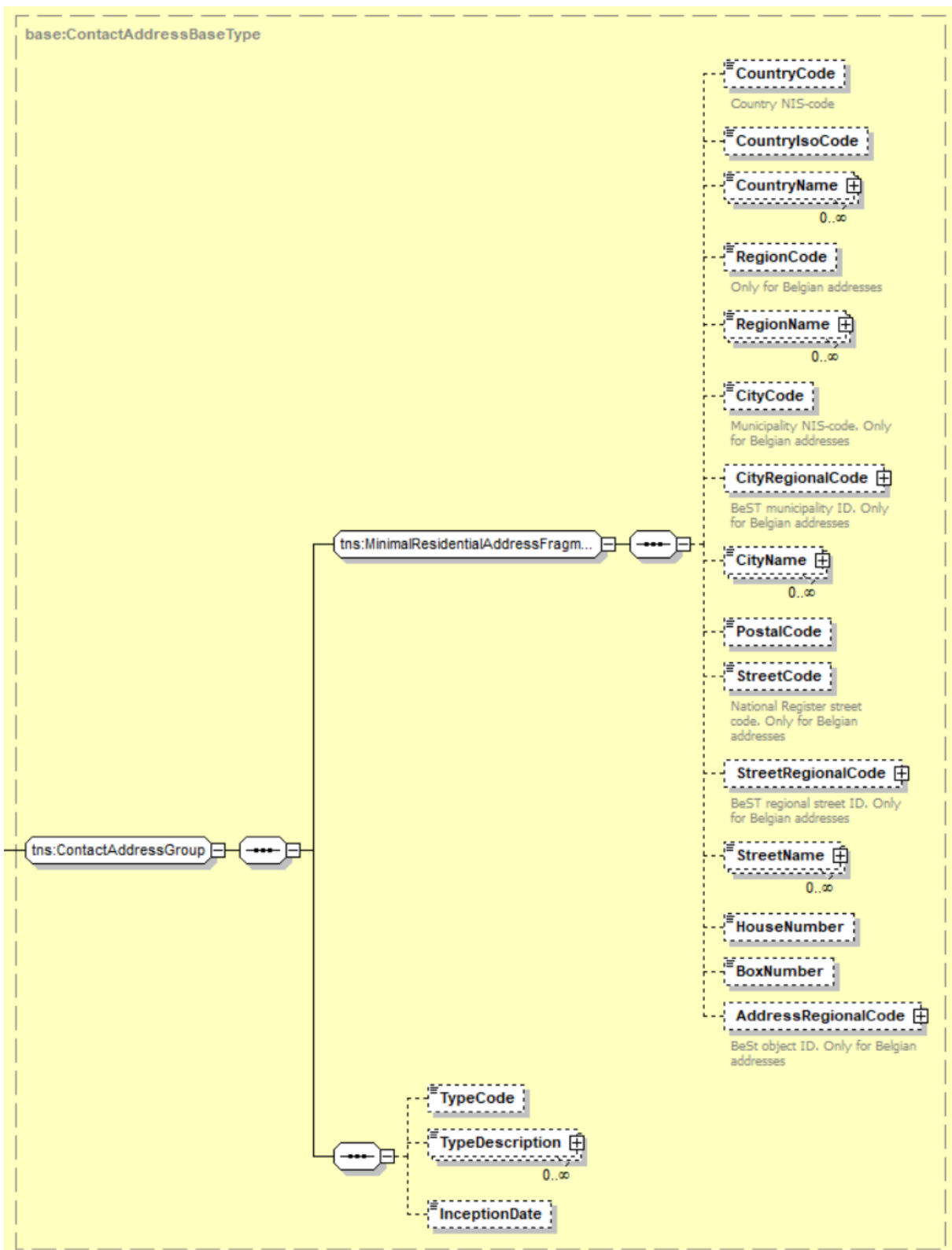
Field name	Description	Abroad	Belgian Current	Belgian BeST
CountryCode	Country code of the country (NIS code)	✓	150	150
CountryIsoCode	The 2-letter ISO code of the country (ISO 3166 alpha-2)	✓	✓	✓
CountryName	Country name	✓	✓	✓
Address(unstructured)	Address unstructured	✓	✓	✓
InceptionDate	Data inception date	✓	✓	✓

## 7.2.12 DiplomaticPostType



Field name	Description	Abroad	Belgian Current	Belgian BeST
countryCode	Country code of the country (NIS code)	✓	150	150
countryIsoCode	The 2-letter ISO code of the country (ISO 3166 alpha-2)	✓	✓	✓
countryName	Country name	✓	✓	✓
diplomaticPostCode	NIS diplomatic post code	✓	✓	✓
diplomaticPostName	Description diplomatic post code	✓	✓	✓

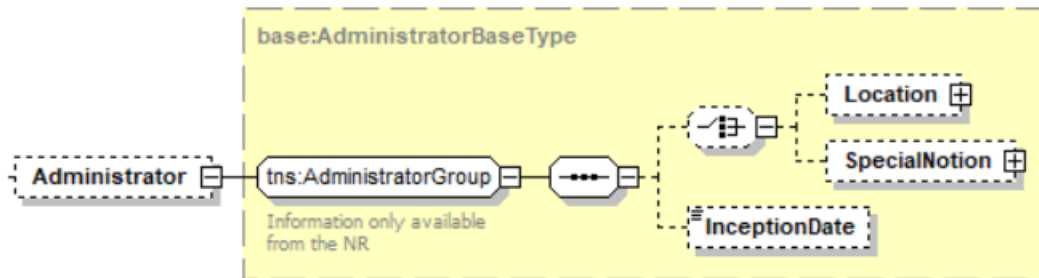
## 7.2.13 ContactAddressBaseType



Field name	Description	Abroad	Belgian Current	Belgian BeST
CountryCode	Country code of the country (NIS code)	✓	150	150
CountryIsoCode	The 2-letter ISO code of the country (ISO 3166 alpha-2)	✓	✓	✓
CountryName	Country name	✓	✓	✓
RegionCode	Region code of the region			✓
RegionName	Region name			✓
CityCode	Municipality code (NIS code)		✓	
CityRegionalCode	Municipality name			✓
CityName	City name	✓	✓	✓
PostalCode	Postal code	✓	✓	✓
StreetCode	Street code		✓	
StreetRegionalCode	Street code assigned by National Registry			✓
StreetName	Street name	✓	✓	✓
HouseNumber	House number	✓	✓	✓
BoxNumber	Box number	✓	✓	✓
AddressRegionalCode	Unique identification number of the address			✓
TypeCode	Type code contact address	N.A	N.A	N.A
TypeDescription	Type code description	N.A	N.A	N.A
InceptionDate	Data inception date	✓	✓	✓

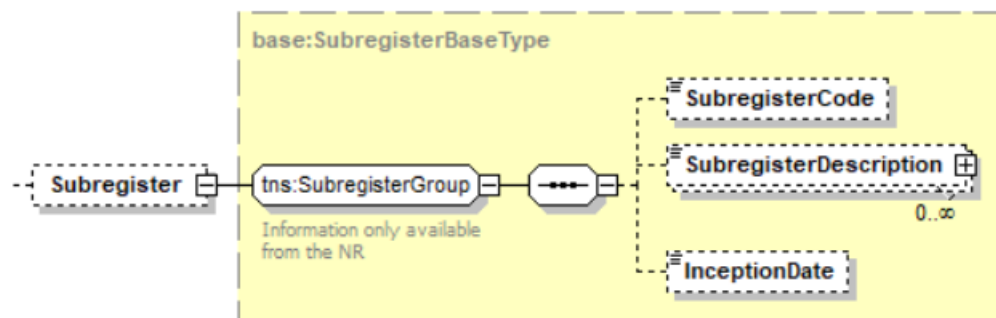


## 7.2.14 AdministratorBaseType



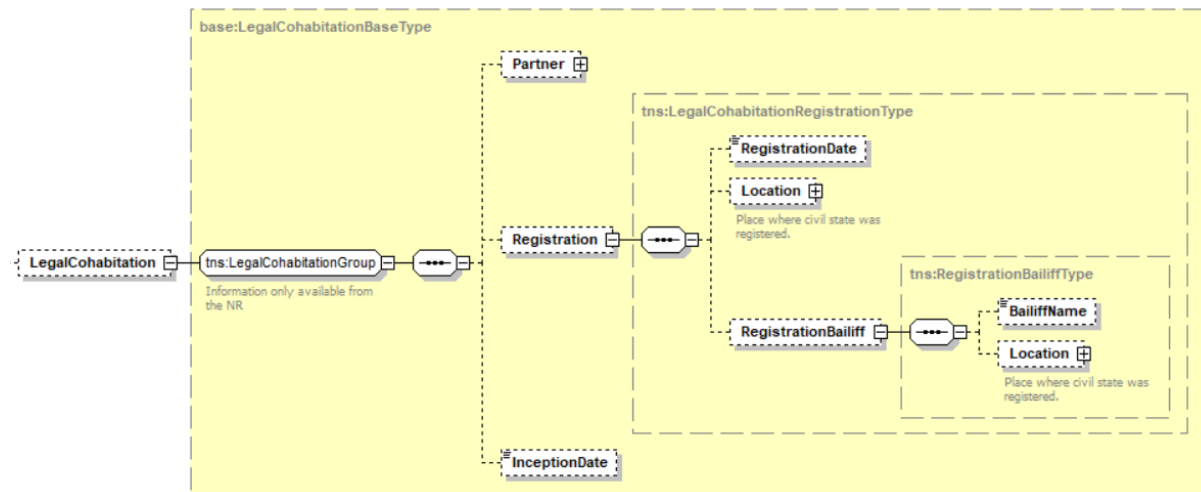
Field name	Description
Location	This block contains the municipality or country location. (See section: 7.2.17)
SpecialNotion	This field contains a special code if it is not a "normal" manager. This is usually a code of radiation from the National Registry.
InceptionDate	This field contains the inception date of the information.

## 7.2.15 SubregisterBaseType



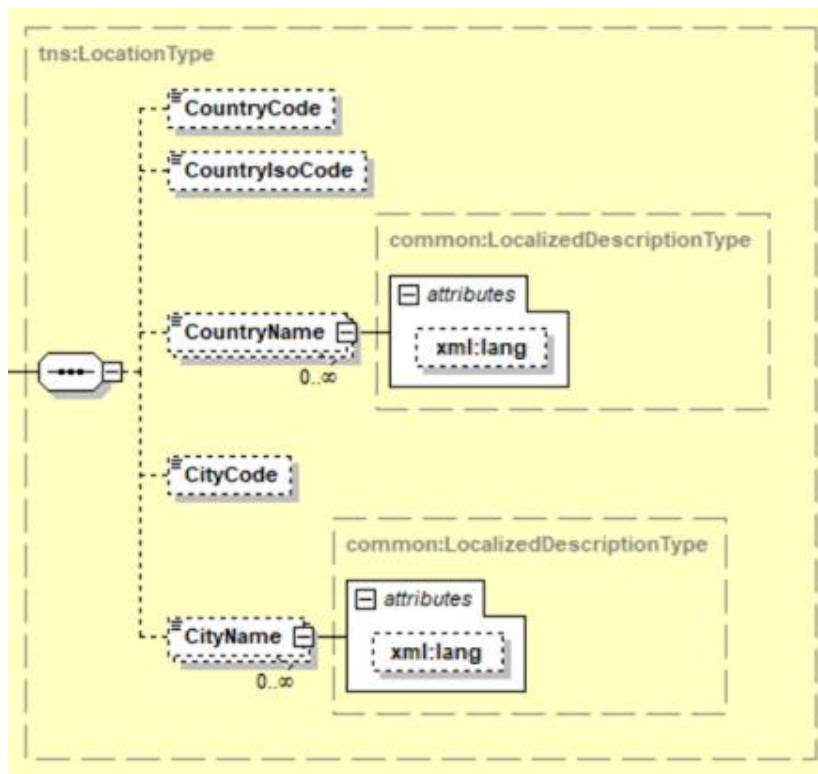
Field name	Description
SubregisterCode	This field contains the sub register code.
SubregisterDescription	This field contains the description of the sub register in different languages.
InceptionDate	This field contains the inception date of the information.

## 7.2.16 LegalCohabitationBaseType



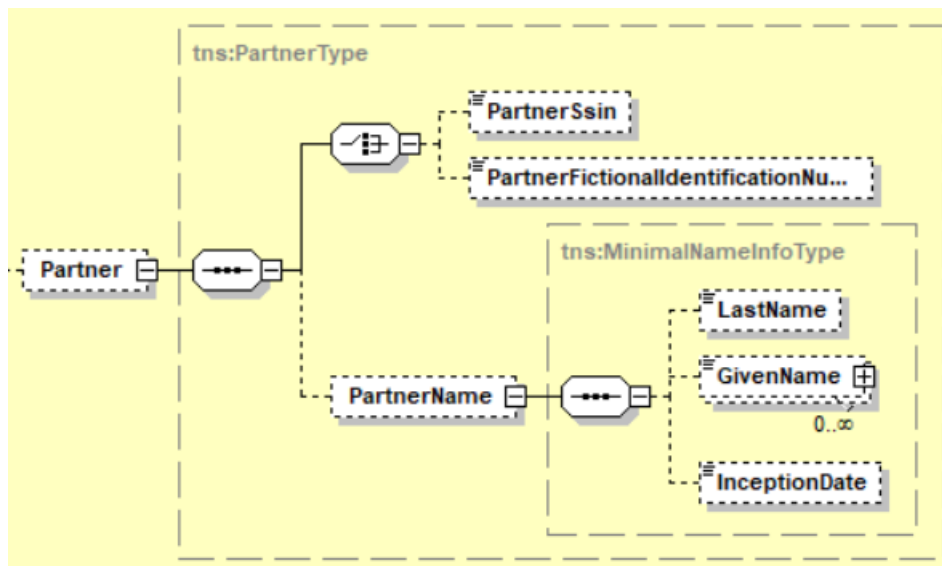
Field name	Description
Partner	This block contains the partner information. (See section: 7.2.18)
Registration/RegistrationDate	This field contains the registration date.
Registration/Location	Registration place (See section: 7.2.17)
RegistrationBailiff/BailiffName	This block contains the notarial contract. (before 1/09/2015)
RegistrationBailiff/Location	This block contains the notarial location. (See section: 7.2.17)
InceptionDate	This field contains the inception date of the information.

## 7.2.17 LocationType



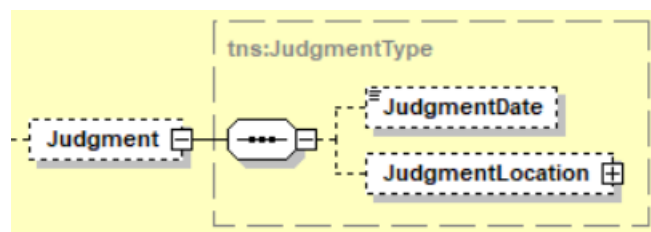
Field name	Description
CountryCode	This field contains the country code of the country. (NIS code)
CountryIsoCode	This field contains the 2-letter ISO code of the country. (ISO 3166 alpha-2)
CountryName	This field contains the name of the country in different languages.
CityCode	This field contains the municipality code. (NIS code)
CityName	This field contains the municipality name in different languages.

## 7.2.18 PartnerType



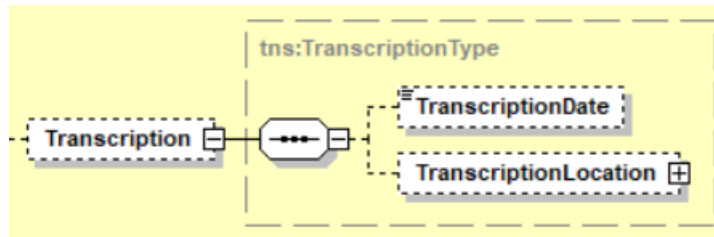
Field name	Description
PartnerSSIN	This field contains the SSIN number of the partner.
PartnerFictionalIdentificationNumber	This field contains the partner fictional identification number. <u>Remark:</u> If the partner has no identification number in the National Registry.
PartnerName/LastName	This field contains the last name of the partner.
PartnerName/GivenName[@sequence]	This field contains the first names of the partner (3 maximum first names). The attribute <i>sequence</i> has a value from 1 to 3.
InceptionDate	This field contains the inception date of the information.

## 7.2.19 JudgmentType



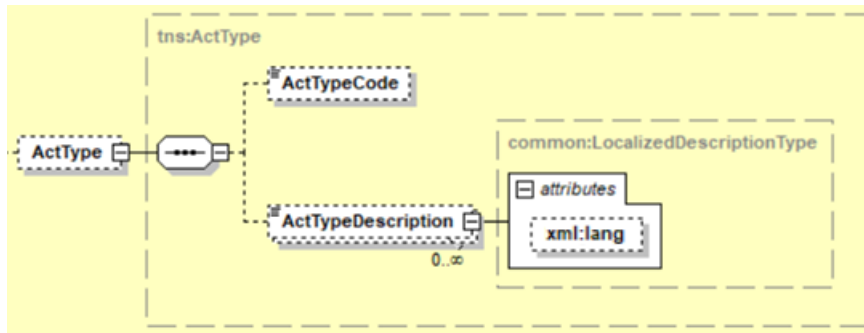
Field name	Description
JudgmentDate	This field contains the judgment date.
JudgmentLocation	This block contains the judgment location. (See section: 7.2.17)

## 7.2.20 TranscriptionType



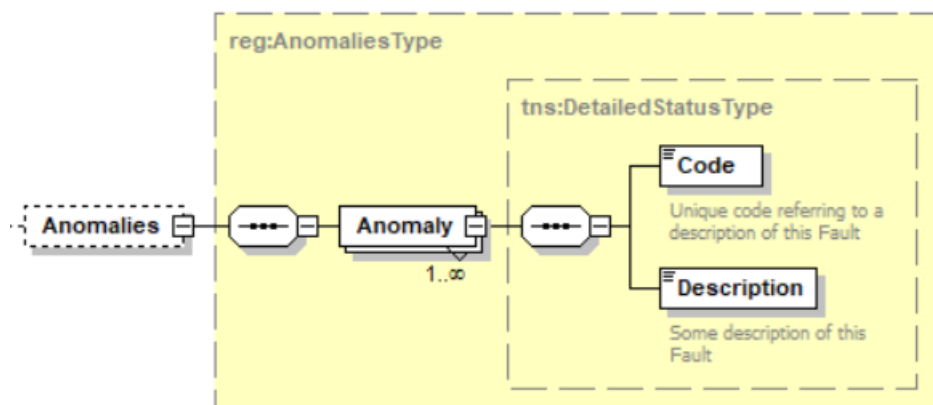
Field name	Description
TranscriptionDate	This field contains the judgment transcription date.
TranscriptionLocation	This block contains the judgment transcription location. (See section: 7.2.17)

## 7.2.21 ActType



Field name	Description
ActTypeCode	This field contains the act type code.
ActTypeDescription	This field contains the act type description in different languages.

## 7.2.22 AnomaliesType



Field name	Description
Anomaly/Code	This field contains the anomaly code.
Anomaly/Description	This field contains the anomaly code description.

## 8. Risks and security

### 8.1 Security

#### 8.1.1 Business security

In case the development adds an additional use case based on an existing integration, the eHealth platform must be informed at least one month in advance with a detailed estimate of the expected load. This will ensure an effective capacity management.

In case of technical issues on the WS, the partner may obtain support from the contact center (See Chap 3)

**In case the eHealth platform finds a bug or vulnerability in its software, we advise the partner to update his application with the newest version of the software within 10 business days.**

**In case the partner finds a bug or vulnerability in the software or web service that the eHealth platform delivered, he is obliged to contact and inform us immediately. He is not allowed to publish this bug or vulnerability in any case.**

#### 8.1.2 Web service

WS security used in this manner is in accordance with the common standards. Your call will provide:

- SSL one way
- Time-to-live of the message: one minute.
- Signature of the timestamp, body and binary security token. This will allow the eHealth platform to verify the integrity of the message and the identity of the message author.
- No encryption on the message.

#### 8.1.3 The use of username, password and token

The username, password and token are strictly personal. Partners and clients are not allowed to transfer them. Every user takes care of his username, password and token and he is forced to confidentiality of it. Moreover, every user is responsible of every use, which includes the use by a third party, until the inactivation.



## 9. Test and release procedure

### 9.1 Procedure

This chapter explains the procedures for testing and releasing an application in acceptance or production.

#### 9.1.1 Initiation

If you intend to use the eHealth platform service, please contact [info@ehealth.fgov.be](mailto:info@ehealth.fgov.be). The project department will provide you with the necessary information and mandatory documents.

#### 9.1.2 Development and test procedure

You have to develop a client in order to connect to our WS. Most of the required integration info to integrate is published on the portal of the eHealth platform.

Upon request, the eHealth platform provides you in some cases, with a mock-up service or test cases in order for you to test your client before releasing it in the acceptance environment.

#### 9.1.3 Release procedure

When development tests are successful, you can request to access the acceptance environment of the eHealth platform. From this moment, you start the integration and acceptance tests. The eHealth platform suggests testing during minimum one month.

After successful acceptance tests, the partner sends his test results and performance results with a sample of “eHealth request” and “eHealth answer” by email to his point of contact at the eHealth platform.

Then the eHealth platform and the partner agree on a release date. The eHealth platform prepares the connection to the production environment and provides the partner with the necessary information. During the release day, the partner provides the eHealth platform with feedback on the test and performance tests.

For further information and instructions, please contact: [integration-support@ehealth.fgov.be](mailto:integration-support@ehealth.fgov.be).

#### 9.1.4 Operational follow-up

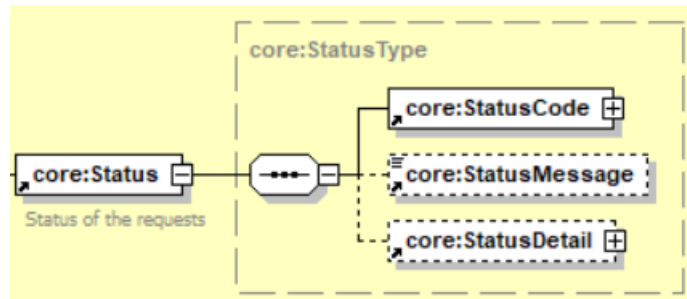
Once in production, the partner using the eHealth platform service for one of his applications will always test first in the acceptance environment before releasing any adaptations of its application in production. In addition, he will inform the eHealth platform on the progress and test period.





# 10. Status

When you call the service, the information about the success or error from the request is contained in a Status element.



Field name	Description
StatusCode	Status code
StatusMessage	Status code description
StatusDetail	Additional information about the status

## 10.1 Success response

In case of success response, the element status will contained the following information:

```
<ns2:Status>
  <ns2:StatusCode Value="urn:be:fgov:ehhealth:2.0:status:Success"/>
</ns2:Status>
```

## 10.2 Business errors

In the case of a business error, the element status will contained the following information:

### 10.2.1 searchPersonBySSIN

Error Description	Element eHealth	Solution
ApplicationID is malformed	<pre>&lt;Status&gt;   &lt;StatusCode Value="urn:be:fgov:ehhealth:2.0:status:Requester"&gt;   &lt;StatusCode Value="urn:be:fgov:ehhealth:2.0:status:InvalidInput"/&gt; &lt;/StatusCode&gt;   &lt;StatusMessage&gt;The applicationId is malformed&lt;/StatusMessage&gt; &lt;/Status&gt;</pre>	<p>The applicationID is not valid.</p> <p>Please use a correct application Id in your request.</p>



No right configured to call the web service	<pre>&lt;Status&gt; &lt;StatusCode Value="urn:be:fgov:health:2.0:status:Requester"/&gt; &lt;StatusCode Value="urn:be:fgov:health:2.0:status:RequestDenied"&gt; &lt;/StatusCode&gt; &lt;StatusMessage&gt;No right configured to call the web service &lt;/StatusMessage&gt; &lt;/Status&gt;</pre>	The applicationID is not allowed to call the web service. Please refer to the helpdesk.
Access to this operation is not allowed with the given legal context and credentials.	<pre>&lt;Status&gt; &lt;StatusCode Value="urn:be:fgov:health:2.0:status:Requester"&gt; &lt;StatusCode Value="urn:be:fgov:health:2.0:status:InvalidInput"/&gt; &lt;/StatusCode&gt; &lt;StatusMessage&gt;Access to this operation is not allowed with the given legal context and credentials&lt;/StatusMessage&gt; &lt;/Status&gt;</pre>	Request to service is forbidden. Please refer to the helpdesk.
Invalid input. Reason: Expired pseudo in transit	<pre>&lt;Status&gt; &lt;StatusCode Value="urn:be:fgov:health:2.0:status:Requester"&gt; &lt;StatusCode Value="urn:be:fgov:health:2.0:status:InvalidInput"/&gt; &lt;/StatusCode&gt; &lt;StatusMessage&gt;Invalid input. Reason: Expired pseudo in transits&lt;/StatusMessage&gt; &lt;/Status&gt;</pre>	The pseudonym is transit is expired. Please create a new pseudonym in transit
SSIN does not respect the check digit.	<pre>&lt;Status&gt; &lt;StatusCode Value="urn:be:fgov:health:2.0:status:Requester"&gt; &lt;StatusCode Value="urn:be:fgov:health:2.0:status:InvalidInput"/&gt; &lt;/StatusCode&gt; &lt;StatusMessage&gt;The Ssin does not respect the check digit &lt;/StatusMessage&gt; &lt;/Status&gt;</pre>	The applicationID is not valid. Please use a correct application Id in your request.
The SSIN does not exist in Ksz registry.	<pre>&lt;Status&gt; &lt;StatusCode Value="urn:be:fgov:health:2.0:status:Requester"&gt; &lt;StatusCode Value="urn:be:fgov:health:2.0:status: DataNotFound"/&gt; &lt;/StatusCode&gt; &lt;StatusMessage&gt;The SSIN given in request does not exist &lt;/StatusMessage&gt; &lt;/Status&gt;</pre>	There is no information found about the individual in the CBSS registry.
The SSIN given in request is cancelled.	<pre>&lt;Status&gt; &lt;StatusCode Value="urn:be:fgov:health:2.0:status:Requester"&gt; &lt;StatusCode Value="urn:be:fgov:health:2.0:status: DataNotFound"/&gt; &lt;/StatusCode&gt; &lt;StatusMessage&gt;The SSIN given in request is canceled &lt;/StatusMessage&gt; &lt;/Status&gt;</pre>	The INSS in cancelled.
Cause unknown	<pre>&lt;Status&gt; &lt;StatusCode Value="urn:be:fgov:health:2.0:status:Requester "&gt; &lt;StatusCode Value="urn:be:fgov:health:2.0:status:Indeterminate"/&gt; &lt;/StatusCode&gt; &lt;StatusMessage&gt;Cause unknown&lt;/StatusMessage&gt; &lt;/Status&gt;</pre>	Please refer to the helpdesk.

### 10.3 Technical errors

In the case of a technical error, a SOAP fault exception is returned (See table below).

If an error occurs, please FIRST verify your request. Following table contains a list of common system error codes for the eHealth Service Bus.



Error code	Component	Description	Solution
SOA-00001	Not determined	Service error	This is the default error sent to the consumer in case no more details are known.
SOA-01001	Consumer	Service call not authenticated	From the security information provided: <ul style="list-style-type: none"> <li>• or the consumer could not be identified</li> <li>• or the credentials provided are not correct</li> </ul>
SOA-01002	Consumer	Service call not authorized	<ul style="list-style-type: none"> <li>• The consumer is identified and authenticated, but is not allowed to call the given service.</li> </ul>
SOA-02001	Provider	Service not available. Please contact service desk	<ul style="list-style-type: none"> <li>• An unexpected error has occurred:</li> <li>• Retries will not work</li> <li>• Service desk may help with root cause analysis</li> </ul>
SOA-02002	Provider	Service temporarily not available. Please try later	<ul style="list-style-type: none"> <li>• An unexpected error has occurred:</li> <li>• Retries should work</li> <li>• If the problem persists help desk may help</li> </ul>
SOA-03001	Consumer	Malformed message	This is default error for content related errors in case more details are missing.
SOA-03002	Consumer	Message must be SOAP	Message does not respect the SOAP standard
SOA-03003	Consumer	Message must contain SOAP body	Message respects the SOAP standard, but body is missing.
SOA-03004	Consumer	WS-I compliance failure	Message does not respect the WS-I standard.
SOA-03005	Consumer	WSDL compliance failure	Message is not compliant with WSDL in Registry/Repository.
SOA-03006	Consumer	XSD compliance failure	Message is not compliant with XSD in Registry/Repository.

SOA-03007	Consumer	Message content validation failure	From the message content (conform XSD): <ul style="list-style-type: none"> <li>• Extended checks on the element format failed</li> <li>• Cross-checks between fields failed</li> </ul>
-----------	----------	------------------------------------	--

Error message SOA-03004 will be thrown when the following rules are not satisfied.

<b>R1008</b>	<i>An Envelope must not contain a Document Type Declaration.</i>
<b>R1032</b>	<i>The soap:Envelope, soap:Header, and soap:Body elements in an Envelope must not have attributes in the namespace http://schemas.xmlsoap.org/soap/envelope/</i>
<b>R2744</b>	<i>A HTTP request message must contain a SOAPAction a HTTP header field with a quoted value equal to the value of the soapAction attribute of soap:operation, if present in the corresponding WSDL description.</i>
<b>R2745</b>	<i>A HTTP request message must contain a SOAP action a HTTP header field with a quoted empty string value, if in the corresponding WSDL description, the SOAPAction of soapbind:operation is either not present, or present with an empty string as its value.</i>

# 11. Example

## 11.1 searchPersonBySsin

### 11.1.1 Request

```
<SearchPersonBySsinRequest xmlns="urn:be:fgov:health:rn:personservice:protocol:v1"
  xmlns:xsi="http://www.w3.org/2001/XMLSchema-instance"
  xmlns:core="urn:be:fgov:health:rn:personservice:core:v1" Id="idRequest" IssueInstant="
2020-02-
27T14:28:35.841+01:00" xsi:schemaLocation="urn:be:fgov:health:rn:personservice:protocol:v1
  health-rnconsult-personservice-protocol.xsd">
  <ApplicationId>XXXXXXXXXX</ApplicationId>
  <Criteria>
    <core:Ssin>12345678910</core:Ssin>
  </Criteria>
</SearchPersonBySsinRequest>
```

### 11.1.2 Success response

```
<ns3:SearchPersonBySsinResponse Id="Id-XXXXX" InResponseTo="idRequest" IssueInstant="2020-
05-04T15:08:39.862+02:00"
  xmlns:ns10="urn:be:fgov:health:errors:soa:v1"
  xmlns:ns11="urn:be:fgov:health:errors:service:v1"
  xmlns:ns2="urn:be:fgov:health:commons:core:v2"
  xmlns:ns3="urn:be:fgov:health:rn:personservice:protocol:v1"
  xmlns:ns4="urn:be:fgov:health:rn:personlegaldata:v1"
  xmlns:ns5="urn:be:fgov:health:rn:baselegaldata:v1"
  xmlns:ns6="urn:be:fgov:health:rn:registries:commons:v1"
  xmlns:ns7="urn:be:fgov:health:rn:personservice:core:v1"
  xmlns:ns8="urn:be:fgov:health:rn:commons:business:v1">
  <ns2:Status>
    <ns2:StatusCode Value="urn:be:fgov:health:2.0:status:Success"/>
  </ns2:Status>
  <ns3:Ssin>12345678910</ns3:Ssin>
  <ns3:Result>
    <ns7:Person>
      <ns4:Ssin>12345678910</ns4:Ssin>
      <ns4:Name>
        <ns5:LastName>LastName</ns5:LastName>
        <ns5:GivenName Sequence="1">GivenName</ns5:GivenName>
        <ns5:InceptionDate>XXXX-XX-XX</ns5:InceptionDate>
      </ns4:Name>
      <ns4:Nationalities>
        <ns5:Nationality>
          <ns5:NationalityCode>150</ns5:NationalityCode>
```



```

        <ns5:NationalityDescription xml:lang="fr">Belgique</ns5:NationalityDescription>
    </ns4:Nationalities>
    <ns4:Birth>
        <ns5:BirthDate>XXXX-XX-XX</ns5:BirthDate>
        <ns5:BirthPlace>
            <ns5:CountryCode>150</ns5:CountryCode>
            <ns5:CountryName xml:lang="fr">Belgique</ns5:CountryName>
            <ns5:CountryName xml:lang="nl">België</ns5:CountryName>
            <ns5:CountryName xml:lang="de">Belgien</ns5:CountryName>
            <ns5:CityCode>XXXXX</ns5:CityCode>
            <ns5:CityName xml:lang="fr">XXXXXXXXXXXXXXXXXX</ns5:CityName>
        </ns5:BirthPlace>
    </ns4:Birth>
    <ns4:Gender>
        <ns5:GenderCode>M</ns5:GenderCode>
    </ns4:Gender>
    <ns4:CivilStates>
        <ns5:CivilState>
            <ns5:CivilStateCode>10</ns5:CivilStateCode>
            <ns5:CivilStateDescription xml:lang="fr">Célibataire</ns5:CivilStateDescription>
            <ns5:CivilStateDescription xml:lang="nlf">Ongehuwd</ns5:CivilStateDescription>
        </ns5:CivilState>
    </ns4:CivilStates>
    <ns4:Address>
        <ns5:ResidentialAddress>
            <ns5:CountryCode>150</ns5:CountryCode>
            <ns5:CountryName xml:lang="fr">Belgique</ns5:CountryName>
            <ns5:CountryName xml:lang="nl">België</ns5:CountryName>
            <ns5:CountryName xml:lang="de">Belgien</ns5:CountryName>
            <ns5:CityCode>XXXXX</ns5:CityCode>
            <ns5:CityName xml:lang="fr">XXXXXXXXXXXXXXXXXX</ns5:CityName>
            <ns5:PostalCode>XXXX</ns5:PostalCode>
            <ns5:StreetCode>XXXX</ns5:StreetCode>
            <ns5:StreetName xml:lang="fr">XXXXXXXXXXXX</ns5:StreetName>
            <ns5:HouseNumber>X</ns5:HouseNumber>
            <ns5:BoxNumber>X</ns5:BoxNumber>
            <ns5:InceptionDate>XXXX-XX-XX</ns5:InceptionDate>
        </ns5:ResidentialAddress>
    </ns4:Address>

```

```

        </ns5:ResidentialAddress>
    </ns4:Address>
</ns7:Person>
</ns3:Result>
</ns3:SearchPersonBySsinResponse>

```

### 11.1.3 Business error response

```

<SOAP-ENV:Envelope xmlns:SOAP-ENV="http://schemas.xmlsoap.org/soap/envelope/">
  <SOAP-ENV:Header/>
  <SOAP-ENV:Body>
    <ns3:SearchPersonBySsinResponse Id="Id-
XXXX" InResponseTo="idRequest" IssueInstant="2020-02-27T14:57:12.932+01:00"
      xmlns:ns2="urn:be:fgov:ehealth:commons:core:v2"
      xmlns:ns3="urn:be:fgov:ehealth:rn:personservice:protocol:v1"
      xmlns:ns5="urn:be:fgov:ehealth:rn:personservice:core:v1"
      xmlns:ns6="urn:be:fgov:ehealth:rn:registries:commons:v1"
      xmlns:ns7="urn:be:fgov:ehealth:rn:commons:business:v1"
      xmlns:ns8="urn:be:fgov:ehealth:errors:soa:v1"
      xmlns:ns9="urn:be:fgov:ehealth:errors:service:v1">
      <ns2:Status>
        <ns2:StatusCode Value="urn:be:fgov:ehealth:2.0:status:Requester">
          <ns2:StatusCode Value="urn:be:fgov:ehealth:2.0:status:InvalidInput"/>
        </ns2:StatusCode>
        <ns2:StatusMessage>The structure of the SSIN given in request is invalid<
/ns2:StatusMessage>
      </ns2:Status>
    </ns3:SearchPersonBySsinResponse>
  </SOAP-ENV:Body>
</SOAP-ENV:Envelope>

```

### 11.1.4 Technical error response

```

<ns3:SearchPersonBySsinResponse Id="Id-
XXXXXXXX" InResponseTo="idRequest" IssueInstant="2020-02-28T15:18:23.381+01:00"
  xmlns:ns2="urn:be:fgov:ehealth:commons:core:v2"
  xmlns:ns3="urn:be:fgov:ehealth:rn:personservice:protocol:v1"
  xmlns:ns5="urn:be:fgov:ehealth:rn:personservice:core:v1"
  xmlns:ns6="urn:be:fgov:ehealth:rn:registries:commons:v1"
  xmlns:ns7="urn:be:fgov:ehealth:rn:commons:business:v1"
  xmlns:ns8="urn:be:fgov:ehealth:errors:soa:v1"
  xmlns:ns9="urn:be:fgov:ehealth:errors:service:v1">
  <ns2:Status>
    <ns2:StatusCode Value="urn:be:fgov:ehealth:2.0:status:Responder"/>
    <ns2:StatusMessage>Received technical error from CBSS</ns2:StatusMessage>
    <ns2:StatusDetail>
      <ns7:Message>
        <ns7:Severity>FATAL</ns7:Severity>

```



```
< ns7:ReasonCode>MSG00003</ns7:ReasonCode>  
<Diagnostic>Internal error</ns7:Diagnostic>  
<AuthorCode>http://www.ksz-bcss.fgov.be/</ns7:AuthorCode>  
</ns7:Message>  
</ns2:StatusDetail>  
</ns2:Status>  
</ns3:SearchPersonBySsinResponse>
```



## 12. Testdata

In this section, you will find some test cases to verify the implementation of your service.

Remark: In these examples, the input SSIN needs to be pseudonymized before sending the request. For the sake of simplicity, we have kept the SSIN in these examples in clear text.

### 12.1 searchPersonBySsin

#### 12.1.1 Scenario 1 – Person cancelled

<i>Description</i>	The user receives the current information about a person cancelled.
<i>Input</i>	<b>56000308828</b>
<i>Expected outputs</i>	<p>The service returned the current person identifier with the status: cancelled</p> <pre>&lt;SOAP-ENV:Envelope xmlns:SOAP-ENV="http://schemas.xmlsoap.org/soap/envelope/"&gt;   &lt;SOAP-ENV:Header/&gt;   &lt;SOAP-ENV:Body&gt;     &lt;ns3:SearchPersonBySsinResponse Id="Id-6f367c5f7c7bd4c2f8193c3c" InResponseTo="id1" IssueInstant="2020-10-06T11:18:41.194+02:00" xmlns:ns10="urn:be:fgov:health:errors:soa:v1" xmlns:ns11="urn:be:fgov:health:errors:service:v1" xmlns:ns2="urn:be:fgov:health:commons:core:v2" xmlns:ns3="urn:be:fgov:health:rn:personservice:protocol:v1" xmlns:ns4="urn:be:fgov:health:rn:personlegaldata:v1" xmlns:ns5="urn:be:fgov:health:rn:baselegaldata:v1" xmlns:ns6="urn:be:fgov:health:rn:registries:commons:v1" xmlns:ns7="urn:be:fgov:health:rn:personservice:core:v1" xmlns:ns8="urn:be:fgov:health:rn:commons:business:v1"&gt;       &lt;ns2:Status&gt;         &lt;ns2:StatusCode Value="urn:be:fgov:health:2.0:status:Requester"&gt;           &lt;ns2:StatusCode Value="urn:be:fgov:health:2.0:status:DataNotFound"/&gt;         &lt;/ns2:StatusCode&gt;         &lt;ns2:StatusMessage&gt;The SSIN given in request is canceled&lt;/ns2:StatusMessage&gt;       &lt;/ns2:Status&gt;       &lt;ns3:Ssin Canceled="true"&gt;56000308828&lt;/ns3:Ssin&gt;     &lt;/ns3:SearchPersonBySsinResponse&gt;   &lt;/SOAP-ENV:Body&gt; &lt;/SOAP-ENV:Envelope&gt;</pre>

#### 12.1.2 Scenario 2 – Person replaced

<i>Description</i>	The user receives the current information about a person replaced.
<i>Input</i>	<b>49242300517</b>
<i>Expected outputs</i>	<p>The service returns the previous and the current person identifier with the information about the person</p> <ul style="list-style-type: none"><li>• Old SSIN: <b>49242300517</b></li><li>• New SSIN: <b>49442002236</b></li></ul> <pre>&lt;SOAP-ENV:Envelope xmlns:SOAP-ENV="http://schemas.xmlsoap.org/soap/envelope/"&gt;   &lt;SOAP-ENV:Header/&gt;   &lt;SOAP-ENV:Body&gt;</pre>



```

<ns3:SearchPersonBySsinResponse Id="Id-
1c377c5f68179aeb222493a" InResponseTo="id1" IssueInstant="2020-10-
06T11:21:33.903+02:00" xmlns:ns10="urn:be:fgov:ehhealth:errors:soa:v1" xmlns:ns11="urn:
be:fgov:ehhealth:errors:service:v1" xmlns:ns2="urn:be:fgov:ehhealth:commons:core:v2" xml
ns:ns3="urn:be:fgov:ehhealth:rn:personservice:protocol:v1" xmlns:ns4="urn:be:fgov:ehhealth:rn:personlegaldata:v1" xmlns:ns5="urn:be:fgov:ehhealth:rn:baselegaldata:v1" xmlns:ns6="urn:be:fgov:ehhealth:rn:registries:commons:v1" xmlns:ns7="urn:be:fgov:ehhealth:rn:personservice:core:v1" xmlns:ns8="urn:be:fgov:ehhealth:rn:commons:business:v1">
  <ns2:Status>
    <ns2:StatusCode Value="urn:be:fgov:ehhealth:2.0:status:Success"/>
  </ns2:Status>
  <ns3:Ssin Replaces="49242300517">49442002236</ns3:Ssin>
  <ns3:Result>
    <ns7:Person RegisterInceptionDate="2009-09-07">
      <ns4:Ssin>49442002236</ns4:Ssin>
      <ns4:Name>
        <ns5:LastName>POLJAC</ns5:LastName>
        <ns5:GivenName Sequence="1">MARIE</ns5:GivenName>
        <ns5:InceptionDate>1949-04-20</ns5:InceptionDate>
      </ns4:Name>
      <ns4:Nationalities>
        <ns5:Nationality>
          <ns5:NationalityCode>111</ns5:NationalityCode>
          <ns5:NationalityDescription xml:lang="fr">France</ns5:Nationality
Description>
          <ns5:NationalityDescription xml:lang="nl">Frankrijk</ns5:National
ityDescription>
          <ns5:NationalityDescription xml:lang="de">Frankreich</ns5:Nationa
lityDescription>
          <ns5:InceptionDate>1949-04-20</ns5:InceptionDate>
        </ns5:Nationality>
      </ns4:Nationalities>
      <ns4:Birth>
        <ns5:BirthDate>1949-04-20</ns5:BirthDate>
        <ns5:BirthPlace>
          <ns5:CountryCode>146</ns5:CountryCode>
          <ns5:CountryName xml:lang="fr">Croatie</ns5:CountryName>
          <ns5:CountryName xml:lang="nl">Kroatië</ns5:CountryName>
          <ns5:CountryName xml:lang="de">Kroatien</ns5:CountryName>
          <ns5:CityName>RUPE</ns5:CityName>
        </ns5:BirthPlace>
      </ns4:Birth>
      <ns4:Gender>
        <ns5:GenderCode>F</ns5:GenderCode>
        <ns5:InceptionDate>1949-04-20</ns5:InceptionDate>
      </ns4:Gender>
      <ns4:Address>
        <ns5:ResidentialAddress>
          <ns5:CountryCode>111</ns5:CountryCode>
          <ns5:CountryName xml:lang="fr">France</ns5:CountryName>
          <ns5:CountryName xml:lang="nl">Frankrijk</ns5:CountryName>
          <ns5:CountryName xml:lang="de">Frankreich</ns5:CountryName>
        </ns5:ResidentialAddress>
      </ns4:Address>
    </ns7:Person>
  </ns3:Result>
</ns3:SearchPersonBySsinResponse>

```



	<pre> &lt;ns5:CityName&gt;NICE&lt;/ns5:CityName&gt; &lt;ns5:PostalCode&gt;06100&lt;/ns5:PostalCode&gt; &lt;ns5:StreetName&gt;AVENUE DE GRIGNAN&lt;/ns5:StreetName&gt; &lt;ns5:HouseNumber&gt;8&lt;/ns5:HouseNumber&gt; &lt;ns5:BoxNumber&gt;BIS&lt;/ns5:BoxNumber&gt; &lt;ns5:InceptionDate&gt;2012-04-24&lt;/ns5:InceptionDate&gt; &lt;/ns5:ResidentialAddress&gt; &lt;/ns4:Address&gt; &lt;/ns7:Person&gt; &lt;/ns3:Result&gt; &lt;/ns3:SearchPersonBySsinResponse&gt; &lt;/SOAP-ENV:Body&gt; &lt;/SOAP-ENV:Envelope&gt; </pre>
--	---

### 12.1.3 Scenario 3 – Person does not exist

<i>Description</i>	The user receives the current information about a person that does NOT exist in CBSS registry.
<i>Input</i>	<b>81490230530</b>
<i>Expected outputs</i>	<p>The service returns the current person identifier with the status : does NOT exist.</p> <pre> &lt;SOAP-ENV:Envelope xmlns:SOAP-ENV="http://schemas.xmlsoap.org/soap/envelope/"&gt;   &lt;SOAP-ENV:Header/&gt;   &lt;SOAP-ENV:Body&gt;     &lt;ns3:SearchPersonBySsinResponse Id="Id- c1377c5ff914756c25ca1913" InResponseTo="id1" IssueInstant="2020-10- 06T11:24:18.599+02:00" xmlns:ns10="urn:be:fgov:ehhealth:errors:soa:v1" xmlns:ns11="urn: be:fgov:ehhealth:errors:service:v1" xmlns:ns2="urn:be:fgov:ehhealth:commons:core:v2" xml ns:ns3="urn:be:fgov:ehhealth:rn:personservice:protocol:v1" xmlns:ns4="urn:be:fgov:ehhealth:rn:personlegaldata:v1" xmlns:ns5="urn:be:fgov:ehhealth:rn:baselegaldata:v1" xmlns:ns 6="urn:be:fgov:ehhealth:rn:registries:commons:v1" xmlns:ns7="urn:be:fgov:ehhealth:rn:per sonservice:core:v1" xmlns:ns8="urn:be:fgov:ehhealth:rn:commons:business:v1"&gt;       &lt;ns2:Status&gt;         &lt;ns2:StatusCode Value="urn:be:fgov:ehhealth:2.0:status:Requester"&gt;           &lt;ns2:StatusCode Value="urn:be:fgov:ehhealth:2.0:status:DataNotFound"/&gt;         &lt;/ns2:StatusCode&gt;         &lt;ns2:StatusMessage&gt;The SSIN given in request does not exist&lt;/ns2:StatusMes sage&gt;       &lt;/ns2:Status&gt;     &lt;/ns3:SearchPersonBySsinResponse&gt;   &lt;/SOAP-ENV:Body&gt; &lt;/SOAP-ENV:Envelope&gt; </pre>

### 12.1.4 Scenario 4 – Person with a residential address

<i>Description</i>	The user receives the current information about a person with a residential address.
<i>Input</i>	<b>75410233908</b>
<i>Expected outputs</i>	<p>The service returns the current information the person with a residential address.</p> <pre> &lt;SOAP-ENV:Envelope xmlns:SOAP-ENV="http://schemas.xmlsoap.org/soap/envelope/"&gt;   &lt;SOAP-ENV:Header/&gt; </pre>



```

<SOAP-ENV:Body>
  <ns3:SearchPersonBySsinResponse Id="Id-
04387c5fff130635a846d4e4" InResponseTo="id1" IssueInstant="2020-10-
06T11:25:25.328+02:00" xmlns:ns10="urn:be:fgov:health:errors:soa:v1" xmlns:ns11="urn:
be:fgov:health:errors:service:v1" xmlns:ns2="urn:be:fgov:health:commons:core:v2" xml
ns:ns3="urn:be:fgov:health:rn:personservice:protocol:v1" xmlns:ns4="urn:be:fgov:heal
th:rn:personlegaldata:v1" xmlns:ns5="urn:be:fgov:health:rn:baselegaldata:v1" xmlns:ns
6="urn:be:fgov:health:rn:registries:commons:v1" xmlns:ns7="urn:be:fgov:health:rn:per
sonservice:core:v1" xmlns:ns8="urn:be:fgov:health:rn:commons:business:v1">
    <ns2:Status>
      <ns2:StatusCode Value="urn:be:fgov:health:2.0:status:Success"/>
    </ns2:Status>
    <ns3:Ssin>75410233908</ns3:Ssin>
    <ns3:Result>
      <ns7:Person RegisterInceptionDate="2020-09-29">
        <ns4:Ssin>75410233908</ns4:Ssin>
        <ns4:Name>
          <ns5:LastName>Pluton</ns5:LastName>
          <ns5:GivenName Sequence="1">Marc</ns5:GivenName>
          <ns5:GivenName Sequence="2">Jean</ns5:GivenName>
          <ns5:GivenName Sequence="3">Christophe</ns5:GivenName>
          <ns5:InceptionDate>1975-01-01</ns5:InceptionDate>
        </ns4:Name>
        <ns4:Birth>
          <ns5:BirthDate>1975-00-00</ns5:BirthDate>
          <ns5:BirthPlace>
            <ns5:CountryCode>111</ns5:CountryCode>
            <ns5:CountryName xml:lang="fr">France</ns5:CountryName>
            <ns5:CountryName xml:lang="nl">Frankrijk</ns5:CountryName>
            <ns5:CountryName xml:lang="de">Frankreich</ns5:CountryName>
            <ns5:CityName>paris</ns5:CityName>
          </ns5:BirthPlace>
        </ns4:Birth>
        <ns4:Decease>
          <ns5:DeceaseDate>2020-03-08</ns5:DeceaseDate>
          <ns5:DeceasePlace>
            <ns5:CountryCode>150</ns5:CountryCode>
            <ns5:CountryName xml:lang="fr">Belgique</ns5:CountryName>
            <ns5:CountryName xml:lang="nl">België</ns5:CountryName>
            <ns5:CountryName xml:lang="de">Belgien</ns5:CountryName>
            <ns5:CityCode>21004</ns5:CityCode>
            <ns5:CityName xml:lang="fr">Bruxelles</ns5:CityName>
            <ns5:CityName xml:lang="nl">Brussel</ns5:CityName>
          </ns5:DeceasePlace>
        </ns4:Decease>
        <ns4:Gender>
          <ns5:GenderCode>M</ns5:GenderCode>
          <ns5:InceptionDate>1975-01-01</ns5:InceptionDate>
        </ns4:Gender>
        <ns4:CivilStates>
          <ns5:CivilState>

```

```

        <ns5:CivilStateCode>20</ns5:CivilStateCode>
        <ns5:CivilStateDescription xml:lang="fr">Marié</ns5:CivilStateDes
cription>
        <ns5:CivilStateDescription xml:lang="nl">Gehuwd</ns5:CivilStateDe
scription>
        <ns5:Location>
            <ns5:CountryCode>111</ns5:CountryCode>
            <ns5:CountryName xml:lang="fr">France</ns5:CountryName>
            <ns5:CountryName xml:lang="nl">Frankrijk</ns5:CountryName>
            <ns5:CountryName xml:lang="de">Frankreich</ns5:CountryName>
            <ns5:CityName>Paris</ns5:CityName>
        </ns5:Location>
        <ns5:InceptionDate>1995-01-12</ns5:InceptionDate>
    </ns5:CivilState>
</ns4:CivilStates>
<ns4:Address>
    <ns5:ResidentialAddress>
        <ns5:CountryCode>111</ns5:CountryCode>
        <ns5:CountryName xml:lang="fr">France</ns5:CountryName>
        <ns5:CountryName xml:lang="nl">Frankrijk</ns5:CountryName>
        <ns5:CountryName xml:lang="de">Frankreich</ns5:CountryName>
        <ns5:CityName>paris</ns5:CityName>
        <ns5:PostalCode>12345</ns5:PostalCode>
        <ns5:StreetName>rue des déportés</ns5:StreetName>
        <ns5:HouseNumber>12</ns5:HouseNumber>
        <ns5:InceptionDate>2010-01-12</ns5:InceptionDate>
    </ns5:ResidentialAddress>
</ns4:Address>
</ns7:Person>
</ns3:Result>
</ns3:SearchPersonBySsinResponse>
</SOAP-ENV:Body>
</SOAP-ENV:Envelope>

```

### 12.1.5 Scenario 5 – Person with a contact address

<i>Description</i>	The user receives the current information about a person with a contact address.
<i>Input</i>	<b>70481606005</b>
<i>Expected outputs</i>	<p>The service returns the current information the person with a contact address.</p> <pre> &lt;SOAP-ENV:Envelope xmlns:SOAP-ENV="http://schemas.xmlsoap.org/soap/envelope/"&gt;   &lt;SOAP-ENV:Header/&gt;   &lt;SOAP-ENV:Body&gt;     &lt;ns3:SearchPersonBySsinResponse Id="Id-6a387c5f7d19ce8ecc83f70" InResponseTo="id1" IssueInstant="2020-10-06T11:27:06.905+02:00" xmlns:ns10="urn:be:fgov:health:errors:soa:v1" xmlns:ns11="urn:be:fgov:health:errors:service:v1" xmlns:ns2="urn:be:fgov:health:commons:core:v2" xmlns:ns3="urn:be:fgov:health:rn:personservice:protocol:v1" xmlns:ns4="urn:be:fgov:health:rn:personlegaldata:v1" xmlns:ns5="urn:be:fgov:health:rn:baselegaldata:v1" xmlns:ns6="urn:be:fgov:health:rn:registries:commons:v1" xmlns:ns7="urn:be:fgov:health:rn:personservice:core:v1" xmlns:ns8="urn:be:fgov:health:rn:commons:business:v1"&gt; </pre>



	<pre> &lt;ns2:Status&gt;   &lt;ns2:StatusCode Value="urn:be:fgov:ehealth:2.0:status:Success"/&gt; &lt;/ns2:Status&gt; &lt;ns3:Ssin&gt;70481606005&lt;/ns3:Ssin&gt; &lt;ns3:Result&gt;   &lt;ns7:Person RegisterInceptionDate="2020-09-29"&gt;     &lt;ns4:Ssin&gt;70481606005&lt;/ns4:Ssin&gt;     &lt;ns4:Name&gt;       &lt;ns5:LastName&gt;Pluton&lt;/ns5:LastName&gt;       &lt;ns5:GivenName Sequence="1"&gt;Rita&lt;/ns5:GivenName&gt;       &lt;ns5:InceptionDate&gt;1970-08-16&lt;/ns5:InceptionDate&gt;     &lt;/ns4:Name&gt;     &lt;ns4:Nationalities&gt;       &lt;ns5:Nationality&gt;         &lt;ns5:NationalityCode&gt;120&lt;/ns5:NationalityCode&gt;         &lt;ns5:NationalityDescription xml:lang="fr"&gt;Monaco&lt;/ns5:Nationality Description&gt;         &lt;ns5:NationalityDescription xml:lang="nl"&gt;Monaco&lt;/ns5:Nationality Description&gt;         &lt;ns5:NationalityDescription xml:lang="de"&gt;Monaco&lt;/ns5:Nationality Description&gt;         &lt;ns5:InceptionDate&gt;2012-05-23&lt;/ns5:InceptionDate&gt;       &lt;/ns5:Nationality&gt;       &lt;ns5:Nationality&gt;         &lt;ns5:NationalityCode&gt;123&lt;/ns5:NationalityCode&gt;         &lt;ns5:NationalityDescription xml:lang="fr"&gt;Portugal&lt;/ns5:Nationality tyDescription&gt;         &lt;ns5:NationalityDescription xml:lang="nl"&gt;Portugal&lt;/ns5:Nationality tyDescription&gt;         &lt;ns5:NationalityDescription xml:lang="de"&gt;Portugal&lt;/ns5:Nationality tyDescription&gt;         &lt;ns5:InceptionDate&gt;2000-01-01&lt;/ns5:InceptionDate&gt;       &lt;/ns5:Nationality&gt;       &lt;ns5:Nationality&gt;         &lt;ns5:NationalityCode&gt;128&lt;/ns5:NationalityCode&gt;         &lt;ns5:NationalityDescription xml:lang="fr"&gt;Italie&lt;/ns5:Nationality Description&gt;         &lt;ns5:NationalityDescription xml:lang="nl"&gt;Italië&lt;/ns5:Nationality Description&gt;         &lt;ns5:NationalityDescription xml:lang="de"&gt;Italien&lt;/ns5:Nationality yDescription&gt;         &lt;ns5:InceptionDate&gt;1970-08-16&lt;/ns5:InceptionDate&gt;       &lt;/ns5:Nationality&gt;       &lt;ns5:Nationality&gt;         &lt;ns5:NationalityCode&gt;150&lt;/ns5:NationalityCode&gt;         &lt;ns5:NationalityDescription xml:lang="fr"&gt;Belgique&lt;/ns5:Nationality tyDescription&gt;         &lt;ns5:NationalityDescription xml:lang="nl"&gt;België&lt;/ns5:Nationality Description&gt;         &lt;ns5:NationalityDescription xml:lang="de"&gt;Belgien&lt;/ns5:Nationality yDescription&gt;         &lt;ns5:InceptionDate&gt;1970-08-16&lt;/ns5:InceptionDate&gt;       &lt;/ns5:Nationality&gt;     &lt;/ns4:Nationalities&gt;   &lt;/ns7:Person&gt; &lt;/ns3:Result&gt; &lt;/ns3:Result&gt; </pre>
--	--



```

        </ns5:Nationality>
    </ns4:Nationalities>
    <ns4:Birth>
        <ns5:BirthDate>1970-08-16</ns5:BirthDate>
        <ns5:BirthPlace>
            <ns5:CountryCode>150</ns5:CountryCode>
            <ns5:CountryName xml:lang="fr">Belgique</ns5:CountryName>
            <ns5:CountryName xml:lang="nl">België</ns5:CountryName>
            <ns5:CountryName xml:lang="de">Belgien</ns5:CountryName>
            <ns5:CityCode>21001</ns5:CityCode>
            <ns5:CityName xml:lang="fr">Anderlecht</ns5:CityName>
            <ns5:CityName xml:lang="nl">Anderlecht</ns5:CityName>
        </ns5:BirthPlace>
    </ns4:Birth>
    <ns4:Gender>
        <ns5:GenderCode>F</ns5:GenderCode>
        <ns5:InceptionDate>1970-08-16</ns5:InceptionDate>
    </ns4:Gender>
    <ns4:CivilStates>
        <ns5:CivilState>
            <ns5:CivilStateCode>20</ns5:CivilStateCode>
            <ns5:CivilStateDescription xml:lang="fr">Marié</ns5:CivilStateDes
cription>
            <ns5:CivilStateDescription xml:lang="nl">Gehuwd</ns5:CivilStateDe
scription>
            <ns5:Location>
                <ns5:CountryCode>150</ns5:CountryCode>
                <ns5:CountryName xml:lang="fr">Belgique</ns5:CountryName>
                <ns5:CountryName xml:lang="nl">België</ns5:CountryName>
                <ns5:CountryName xml:lang="de">Belgien</ns5:CountryName>
                <ns5:CityCode>11002</ns5:CityCode>
                <ns5:CityName xml:lang="nl">Antwerpen</ns5:CityName>
            </ns5:Location>
            <ns5:InceptionDate>1995-12-07</ns5:InceptionDate>
        </ns5:CivilState>
    </ns4:CivilStates>
    <ns4>ContactAddress>
        <ns5:CountryCode>150</ns5:CountryCode>
        <ns5:CountryName xml:lang="fr">Belgique</ns5:CountryName>
        <ns5:CountryName xml:lang="nl">België</ns5:CountryName>
        <ns5:CountryName xml:lang="de">Belgien</ns5:CountryName>
        <ns5:CityCode>11002</ns5:CityCode>
        <ns5:CityName xml:lang="nl">Antwerpen</ns5:CityName>
        <ns5:PostalCode>2660</ns5:PostalCode>
        <ns5:StreetCode>229</ns5:StreetCode>
        <ns5:StreetName xml:lang="nl">Hoofdfrontweg</ns5:StreetName>
        <ns5:HouseNumber>12</ns5:HouseNumber>
        <ns5:TypeCode>6</ns5:TypeCode>
        <ns5:TypeDescription xml:lang="fr">Amis/Famille</ns5:TypeDescription
>
    >

```

	<pre>                 &lt;ns5:TypeDescription xml:lang="nl"&gt;Vrienden/Familie&lt;/ns5:TypeDescription&gt;                 &lt;ns5:InceptionDate&gt;2017-02-17&lt;/ns5:InceptionDate&gt;             &lt;/ns4:ContactAddress&gt;         &lt;/ns7:Person&gt;     &lt;/ns3:Result&gt; &lt;/ns3:SearchPersonBySsinResponse&gt; &lt;/SOAP-ENV:Body&gt; &lt;/SOAP-ENV:Envelope&gt; </pre>
--	--

### 12.1.6 Scenario 6 – Person with a contact address and a residential address

<i>Description</i>	The user receives the current information about a person with a contact address and a residential address.
<i>Input</i>	<b>92440106511</b>
<i>Expected outputs</i>	<p>The service returns the current information the person with a contact address and a residential address.</p> <pre> &lt;SOAP-ENV:Envelope xmlns:SOAP-ENV="http://schemas.xmlsoap.org/soap/envelope/"&gt;   &lt;SOAP-ENV:Header/&gt;   &lt;SOAP-ENV:Body&gt;     &lt;ns3:SearchPersonBySsinResponse Id="Id-b1387c5f191a16b7af4d0d3f" InResponseTo="id1" IssueInstant="2020-10-06T11:28:17.850+02:00" xmlns:ns10="urn:be:fgov:health:errors:soa:v1" xmlns:ns11="urn:be:fgov:health:errors:service:v1" xmlns:ns2="urn:be:fgov:health:commons:core:v2" xmlns:ns3="urn:be:fgov:health:rn:personservice:protocol:v1" xmlns:ns4="urn:be:fgov:health:rn:personlegaldata:v1" xmlns:ns5="urn:be:fgov:health:rn:baselegaldata:v1" xmlns:ns6="urn:be:fgov:health:rn:registries:commons:v1" xmlns:ns7="urn:be:fgov:health:rn:personservice:core:v1" xmlns:ns8="urn:be:fgov:health:rn:commons:business:v1"&gt;       &lt;ns2:Status&gt;         &lt;ns2:StatusCode Value="urn:be:fgov:health:2.0:status:Success"/&gt;       &lt;/ns2:Status&gt;       &lt;ns3:Ssin&gt;92440106511&lt;/ns3:Ssin&gt;       &lt;ns3:Result&gt;         &lt;ns7:Person RegisterInceptionDate="2020-09-29"&gt;           &lt;ns4:Ssin&gt;92440106511&lt;/ns4:Ssin&gt;           &lt;ns4:Name&gt;             &lt;ns5:LastName&gt;Pluton&lt;/ns5:LastName&gt;             &lt;ns5:InceptionDate&gt;1992-04-01&lt;/ns5:InceptionDate&gt;           &lt;/ns4:Name&gt;           &lt;ns4:Nationalities&gt;             &lt;ns5:Nationality&gt;               &lt;ns5:NationalityCode&gt;111&lt;/ns5:NationalityCode&gt;               &lt;ns5:NationalityDescription xml:lang="fr"&gt;France&lt;/ns5:NationalityDescription&gt;               &lt;ns5:NationalityDescription xml:lang="nl"&gt;Frankrijk&lt;/ns5:NationalityDescription&gt;               &lt;ns5:NationalityDescription xml:lang="de"&gt;Frankreich&lt;/ns5:NationalityDescription&gt;               &lt;ns5:InceptionDate&gt;1992-04-16&lt;/ns5:InceptionDate&gt;             &lt;/ns5:Nationality&gt;           &lt;/ns4:Nationalities&gt;         &lt;/ns7:Person&gt;       &lt;/ns3:Result&gt;     &lt;/ns3:SearchPersonBySsinResponse&gt;   &lt;/SOAP-ENV:Body&gt; &lt;/SOAP-ENV:Envelope&gt; </pre>





```

</ns4:Nationalities>
<ns4:Birth>
  <ns5:BirthDate>1992-04-00</ns5:BirthDate>
  <ns5:BirthPlace>
    <ns5:CountryCode>499</ns5:CountryCode>
    <ns5:CountryName xml:lang="fr">Saint-
Barthélemy (France)</ns5:CountryName>
    <ns5:CountryName xml:lang="nl">Saint-
Barthélemy (Frankrijk)</ns5:CountryName>
    <ns5:CountryName xml:lang="de">Saint-
Barthélemy (Frankreich)</ns5:CountryName>
    <ns5:CityName>saint bart</ns5:CityName>
  </ns5:BirthPlace>
</ns4:Birth>
<ns4:Gender>
  <ns5:GenderCode>M</ns5:GenderCode>
  <ns5:InceptionDate>1992-04-01</ns5:InceptionDate>
</ns4:Gender>
<ns4:CivilStates>
  <ns5:CivilState>
    <ns5:CivilStateCode>41</ns5:CivilStateCode>
    <ns5:CivilStateDescription xml:lang="fr">Divorce prononcé en appl
ication de la loi du 30/06/1994</ns5:CivilStateDescription>
    <ns5:CivilStateDescription xml:lang="nl">Echtscheiding uitgesprok
en met toepassing van de wet van 30/06/1994</ns5:CivilStateDescription>
    <ns5:Location>
      <ns5:CountryCode>499</ns5:CountryCode>
      <ns5:CountryName xml:lang="fr">Saint-
Barthélemy (France)</ns5:CountryName>
      <ns5:CountryName xml:lang="nl">Saint-
Barthélemy (Frankrijk)</ns5:CountryName>
      <ns5:CountryName xml:lang="de">Saint-
Barthélemy (Frankreich)</ns5:CountryName>
    </ns5:Location>
    <ns5:InceptionDate>2019-11-15</ns5:InceptionDate>
  </ns5:CivilState>
</ns4:CivilStates>
<ns4:Address>
  <ns5:ResidentialAddress>
    <ns5:CountryCode>499</ns5:CountryCode>
    <ns5:CountryName xml:lang="fr">Saint-
Barthélemy (France)</ns5:CountryName>
    <ns5:CountryName xml:lang="nl">Saint-
Barthélemy (Frankrijk)</ns5:CountryName>
    <ns5:CountryName xml:lang="de">Saint-
Barthélemy (Frankreich)</ns5:CountryName>
    <ns5:InceptionDate>2019-10-11</ns5:InceptionDate>
  </ns5:ResidentialAddress>
</ns4:Address>
<ns4>ContactAddress>
  <ns5:CountryCode>150</ns5:CountryCode>
  <ns5:CountryName xml:lang="fr">Belgique</ns5:CountryName>

```

	<pre> &lt;ns5:CountryName xml:lang="nl"&gt;België&lt;/ns5:CountryName&gt; &lt;ns5:CountryName xml:lang="de"&gt;Belgien&lt;/ns5:CountryName&gt; &lt;ns5:CityCode&gt;52011&lt;/ns5:CityCode&gt; &lt;ns5:CityName xml:lang="fr"&gt;Charleroi&lt;/ns5:CityName&gt; &lt;ns5:PostalCode&gt;6000&lt;/ns5:PostalCode&gt; &lt;ns5:StreetCode&gt;529&lt;/ns5:StreetCode&gt; &lt;ns5:StreetName xml:lang="fr"&gt;Petite Rue&lt;/ns5:StreetName&gt; &lt;ns5:HouseNumber&gt;6&lt;/ns5:HouseNumber&gt; &lt;ns5:TypeCode&gt;1&lt;/ns5:TypeCode&gt; &lt;ns5:TypeDescription xml:lang="fr"&gt;Séjour temporaire&lt;/ns5:TypeDescription&gt; &lt;ns5:TypeDescription xml:lang="nl"&gt;Tijdelijk verblijf&lt;/ns5:TypeDescription&gt; &lt;ns5:InceptionDate&gt;2020-01-01&lt;/ns5:InceptionDate&gt; &lt;/ns4:ContactAddress&gt; &lt;/ns7:Person&gt; &lt;/ns3:Result&gt; &lt;/ns3:SearchPersonBySsinResponse&gt; &lt;/SOAP-ENV:Body&gt; &lt;/SOAP-ENV:Envelope&gt; </pre>
--	---

### 12.1.7 Scenario 7 – Person with an invalid identifier

<i>Description</i>	The user receives the current information about a person with an invalid identifier.
<i>Input</i>	<b>56000308818</b>
<i>Expected outputs</i>	<p>The service returns a business error because the individual identifier is invalid.</p> <pre> &lt;SOAP-ENV:Envelope xmlns:SOAP-ENV="http://schemas.xmlsoap.org/soap/envelope/"&gt;   &lt;SOAP-ENV:Header/&gt;   &lt;SOAP-ENV:Body&gt;     &lt;ns3:SearchPersonBySsinResponse Id="Id-05397c5Faa158ec603d79b20" InResponseTo="id1" IssueInstant="2020-10-06T11:29:41.602+02:00" xmlns:ns10="urn:be:fgov:ehealth:errors:soa:v1" xmlns:ns11="urn:be:fgov:ehealth:errors:service:v1" xmlns:ns2="urn:be:fgov:ehealth:commons:core:v2" xmlns:ns3="urn:be:fgov:ehealth:rn:personservice:protocol:v1" xmlns:ns4="urn:be:fgov:ehealth:rn:personlegaldata:v1" xmlns:ns5="urn:be:fgov:ehealth:rn:baselegaldata:v1" xmlns:ns6="urn:be:fgov:ehealth:rn:registries:commons:v1" xmlns:ns7="urn:be:fgov:ehealth:rn:personservice:core:v1" xmlns:ns8="urn:be:fgov:ehealth:rn:commons:business:v1"&gt;       &lt;ns2:Status&gt;         &lt;ns2:StatusCode Value="urn:be:fgov:ehealth:2.0:status:Requester"&gt;           &lt;ns2:StatusCode Value="urn:be:fgov:ehealth:2.0:status:InvalidInput"/&gt;         &lt;/ns2:StatusCode&gt;         &lt;ns2:StatusMessage&gt;The Ssin is malformed&lt;/ns2:StatusMessage&gt;       &lt;/ns2:Status&gt;     &lt;/ns3:SearchPersonBySsinResponse&gt;   &lt;/SOAP-ENV:Body&gt; &lt;/SOAP-ENV:Envelope&gt; </pre>

